


19588000	<b>DATA SHEET</b>	
Valid from: 29.08.2022	<b>EPIC® H-A 32 TBF</b>	

## Description

- The large, robust housing for two inserts of size 16



## General Characteristics

Series	H-A 32
Version	Coupler hood
Locking	Double lever
Cable entry	1x straight, see table
Gland body	See table
Protection (DIN EN 60529)	IP 65 (latched)
Temperature Range	-40°C to +100°C, short term up to +125°C

## Materials / Surfaces

Housing	Aluminium alloy, powder-coated, grey
Locking	Steel, zinc-plated
Gland body	Brass, nickel-plated
Sealing	NBR


## Standard

Safety Standard	IEC 61984
-----------------	-----------

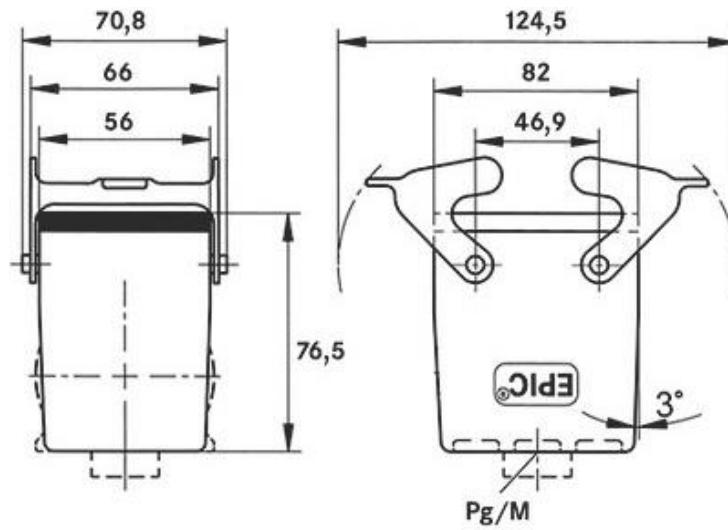
## Versions

Article number	Article description	Cable entry	Gland body
10588000	EPIC® H-A 32 TBF 21 ZW	Pg 21	Yes
10588500	EPIC® H-A 32 TBF 29 ZW	Pg 29	Yes
19588000	EPIC® H-A 32 TBF M25	M25	No
19588500	EPIC® H-A 32 TBF M32	M32	No

Creator: BEGE1/PDP Released: IVSE1/PDP	Document: DB19588000EN Version: 00	Page 1 of 2
---	---------------------------------------	-------------

19588000	<b>DATA SHEET</b>	
Valid from: 29.08.2022	<b>EPIC® H-A 32 TBF</b>	

### Technical Drawings



Industrial machinery and plant engineering



Mechanical resistance



Robust



Waterproof

### Application range

Machine and equipment manufacturing, Control engineering

### Remark

Photographs are not to scale and do not represent detailed images of the respective products.

Creator: BEGE1/PDP Released: IVSE1/PDP	Document: DB19588000EN Version: 00	Page 2 of 2
---	---------------------------------------	-------------