

**HDC C HX SM6.0AG****Weidmüller Interface GmbH & Co. KG**

Klingenbergstraße 26

D-32758 Detmold

Germany

www.weidmueller.com



Crimps provide a electrical and mechanical connection between wire and contact that is both secure and reliable. The optimal crimp connection is gas-tight and corrosion-resistant.

**General ordering data**

Version	Heavy-duty connectors, Crimp contact, MixMate, Male, Conductor cross-section, max.: 6, turned, Copper alloy
Order No.	<a href="#">1002940000</a>
Type	HDC C HX SM6.0AG
GTIN (EAN)	4032248697229
Qty.	25 pc(s).

Creation date June 8, 2024 9:34:08 PM CEST

Catalogue status 01.06.2024 / We reserve the right to make technical changes.

## HDC C HX SM6.0AG

Weidmüller Interface GmbH &amp; Co. KG

Klingenbergstraße 26

D-32758 Detmold

Germany

www.weidmueller.com

## Technical data

## Dimensions and weights

Diameter	6 mm	Net weight	3.14 g
----------	------	------------	--------

## General data

Conductor cross-section, max.	6 mm <sup>2</sup>	Contact diameter, male Ø	4 mm
Contact material	Copper alloy	Cross-section for connected wire	6 mm <sup>2</sup>
Material	Copper alloy	Plugging cycles	≥ 500
Production methods	turned	Stripping length, rated connection	8 mm
Surface finish	silver	Type	Male
Type of connection	Crimp connection	Version insert	MixMate
Volume resistance	≤1 mΩ		

## Classifications

ETIM 6.0	EC000796	ETIM 7.0	EC000796
ETIM 8.0	EC000796	ETIM 9.0	EC000796
ECLASS 9.0	27-44-02-04	ECLASS 9.1	27-44-02-04
ECLASS 10.0	27-44-02-04	ECLASS 11.0	27-44-02-04
ECLASS 12.0	27-44-02-04	ECLASS 13.0	27-44-02-04

## Environmental Product Compliance

REACH SVHC	Lead 7439-92-1
SCIP	6eabd5ae-2d6b-409e-8bdf-87c27ee10e40

## Approvals

ROHS	Conform
------	---------

## Downloads

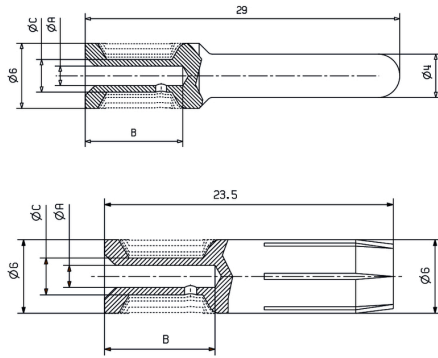
Engineering Data	<a href="#">CAD data – STEP</a>
Catalogues	<a href="#">Catalogues in PDF-format</a>
Brochures	<a href="#">FL FIELDWIRING EN</a> <a href="#">FL FIELDWIRING EN</a>

**HDC C HX SM6.0AG**

**Weidmüller Interface GmbH & Co. KG**  
Klingenbergstraße 26  
D-32758 Detmold  
Germany

[www.weidmueller.com](http://www.weidmueller.com)

**Drawings**



## HDC C HX SM6.0AG

**Weidmüller Interface GmbH & Co. KG**  
 Klingenbergstraße 26  
 D-32758 Detmold  
 Germany

[www.weidmueller.com](http://www.weidmueller.com)

## Accessories

## Crimping tools

**Crimping tools for turned contacts**

- Ratchet guarantees precise crimping
- Release option in the event of incorrect operation
- With stop for exact positioning of the contacts.

## General ordering data

Type	CTIN CM 3.6	Version
Order No.	<a href="#">9205440000</a>	Crimping tool for contacts, 1.5mm <sup>2</sup> , 10mm <sup>2</sup> , 4-indent crimp
GTIN (EAN)	4032248734146	
Qty.	1 pc(s).	
Type	CTIN CM 1.6/2.5	Version
Order No.	<a href="#">9205430000</a>	Pressing tool, Crimping tool for contacts, 0.14mm <sup>2</sup> , 6mm <sup>2</sup> , 4-indent crimp
GTIN (EAN)	4032248733446	
Qty.	1 pc(s).	

## Contact removal tools



Weidmüller offers a variety of crimping tools, contact removal tools, and fibre optic tools.

## General ordering data

Type	REMOVAL TOOL HX
Order No.	<a href="#">1002990000</a>
GTIN (EAN)	4032248697274
Qty.	1 pc(s).