



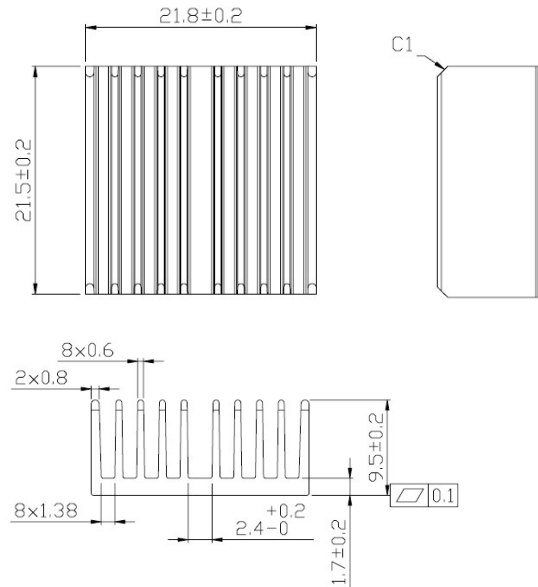
Model :

HBH22031-10

BGA Heat Sink Specification



- 1. Material : AL 6063-T5
- 2. Dimension :
 - Foot print : 22x22mm
 - Height : 9.5 mm
 - Base (thickness) : 1.7mm
- 3. Finish: Black Anodize



Performance

Heat Source (LxW)	22x22
-------------------	-------

