



Wire Protection & Management > Heat Shrink Shapes > Heat Shrink Caps



Wall Type: **Dual Wall**

Operating Temperature Range: **-40 – 125 °C [-40 – 257 °F]**

Features

Product Type Features

Wall Type	Dual Wall
-----------	-----------

Body Features

Sealant Type	Anti-Flux
Lining Type	Adhesive
Shrink Ratio	4:1
Primary Product Material	Irradiated Modified Polyolefin
Flexibility	Semi-Rigid
Primary Product Color	Black

Dimensions

Expanded Inside Diameter (Min)	10.85 mm[.425 in]
Product Length	50 mm[1.969 in]

Usage Conditions

Flammability Requirement	Non-Flame-Retardant
Fluid Resistance Type	(ATF) Automatic Transmission Fluid, Brake Fluid, Diesel Fuel, Engine Cleaner, Engine Coolant
Resistance Properties	Moisture & Spray Protection
Operating Temperature Range	-40 – 125 °C[-40 – 257 °F]

Operation/Application

Mechanical Resistance	Abrasion
-----------------------	----------



Product Compliance

[For compliance documentation, visit the product page on TE.com>](#)

EU RoHS Directive 2011/65/EU	Compliant
EU ELV Directive 2000/53/EC	Compliant
China RoHS 2 Directive MIIT Order No 32, 2016	No Restricted Materials Above Threshold
EU REACH Regulation (EC) No. 1907/2006	Current ECHA Candidate List: JAN 2024 (240) Candidate List Declared Against: JAN 2024 (240) Does not contain REACH SVHC
Halogen Content	Low Halogen - Br, Cl, F, I < 900 ppm per homogenous material. Also BFR/CFR/PVC Free
Solder Process Capability	Not applicable for solder process capability

Product Compliance Disclaimer

This information is provided based on reasonable inquiry of our suppliers and represents our current actual knowledge based on the information they provided. This information is subject to change. The part numbers that TE has identified as EU RoHS compliant have a maximum concentration of 0.1% by weight in homogenous materials for lead, hexavalent chromium, mercury, PBB, PBDE, DBP, BBP, DEHP, DIBP, and 0.01% for cadmium, or qualify for an exemption to these limits as defined in the Annexes of Directive 2011/65/EU (RoHS2). Finished electrical and electronic equipment products will be CE marked as required by Directive 2011/65/EU. Components may not be CE marked. Additionally, the part numbers that TE has identified as EU ELV compliant have a maximum concentration of 0.1% by weight in homogenous materials for lead, hexavalent chromium, and mercury, and 0.01% for cadmium, or qualify for an exemption to these limits as defined in the Annexes of Directive 2000/53/EC (ELV). Regarding the REACH Regulation, the information TE provides on SVHC in articles for this part number is based on the latest European Chemicals Agency (ECHA) 'Guidance on requirements for substances in articles' posted at this URL: <https://echa.europa.eu/guidance-documents/guidance-on-reach>

Compatible Parts

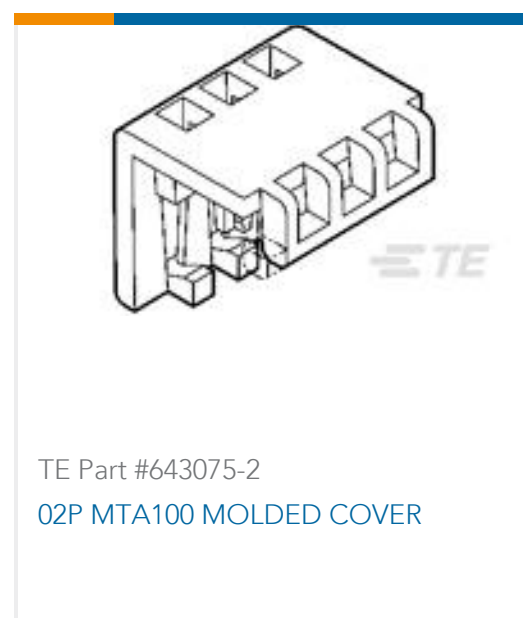
 <p>TE Part # 2280355-1 220 V MODEL 17</p>	 <p>TE Part # 1-2234800-1 RBK-X1, AUTO TRIGGER</p>	 <p>TE Part # 1-2234800-3 RBK-X1, W/ AIR COOLING</p>	 <p>TE Part # 1-2234800-4 RBK-X1 CE, W/ AIR COOLING</p>
---	---	---	--



Also in the Series | RAYCHEM ESZH-CAP



Customers Also Bought





Documents

Datasheets & Catalog Pages

[Easy-Seal-Zero-Halogen-Cap](#)

English

Product Specifications

[Application Specification](#)

English