

222K142-25L-0 ✓ ACTIVE

RAYCHEM

TE Internal #: CV7368-000

Heat Shrink Boots, Right Angle, Size 222, Lipped, 25, 25, Adhesive Purchased Separately Adhesive Requirement, -75 – 150 °C [-103 – 302 °F]

[View on TE.com >](#)



[Wire Protection & Management](#) > [Heat Shrink Shapes](#) > [Heat Shrink Boots](#) > [Bulbous Heat Shrink Boots: Lipped, Right Angle](#)



Body Orientation: **Right Angle**

Molded Part Shape Code: **222**

Lipped: **Yes**

Material Code: **25**

Material Systems Code: **25**

[All Bulbous Heat Shrink Boots: Lipped, Right Angle \(188\)](#)

## Features

### Configuration Features

Lipped	Yes
Adhesive Requirement	Adhesive Purchased Separately

### Body Features

Primary Product Material	Fluid Resistant Modified Elastomer
Material Code	25
Material Systems Code	25

### Housing Features

Body Orientation	Right Angle
------------------	-------------

### Dimensions

Compatible Cable Diameter (Max)	10 mm, 11 mm, 12 mm, 14 mm, 8 mm, 9 mm [.314 in][.35 in][.39 in][.43 in][.47 in][.55 in]
Connector or Backshell Outside Diameter	20 mm, 22 mm, 24 mm, 26 mm [.79 in][.87 in][.94 in][1.02 in]
Compatible Cable Diameter Range	7.1 – 16 mm [7.1 – 17 in]

### Usage Conditions

Operating Temperature Range	-75 – 150 °C [-103 – 302 °F]
Resistance Protection	Long-Term Fluid Exposure at High



Temperatures

Other

Molded Part Shape Code	222
------------------------	-----

Product Compliance

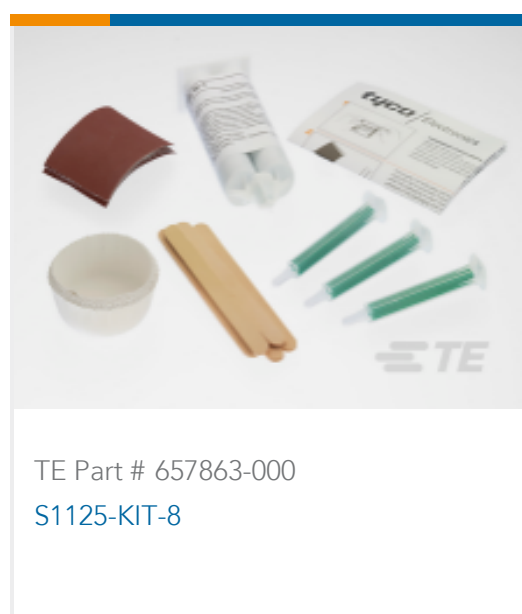
[For compliance documentation, visit the product page on TE.com>](#)

EU RoHS Directive 2011/65/EU	Compliant
EU ELV Directive 2000/53/EC	Compliant
China RoHS 2 Directive MIIT Order No 32, 2016	No Restricted Materials Above Threshold
EU REACH Regulation (EC) No. 1907/2006	Current ECHA Candidate List: JAN 2024 (240) Candidate List Declared Against: JAN 2024 (240) Does not contain REACH SVHC
Halogen Content	Not Low Halogen - contains Br or Cl > 900 ppm.
Solder Process Capability	Not applicable for solder process capability

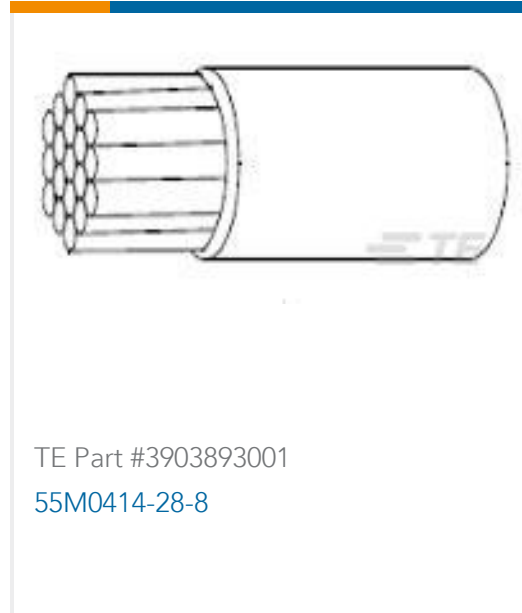
Product Compliance Disclaimer

This information is provided based on reasonable inquiry of our suppliers and represents our current actual knowledge based on the information they provided. This information is subject to change. The part numbers that TE has identified as EU RoHS compliant have a maximum concentration of 0.1% by weight in homogenous materials for lead, hexavalent chromium, mercury, PBB, PBDE, DBP, BBP, DEHP, DIBP, and 0.01% for cadmium, or qualify for an exemption to these limits as defined in the Annexes of Directive 2011/65/EU (RoHS2). Finished electrical and electronic equipment products will be CE marked as required by Directive 2011/65/EU. Components may not be CE marked. Additionally, the part numbers that TE has identified as EU ELV compliant have a maximum concentration of 0.1% by weight in homogenous materials for lead, hexavalent chromium, and mercury, and 0.01% for cadmium, or qualify for an exemption to these limits as defined in the Annexes of Directive 2000/53/EC (ELV). Regarding the REACH Regulation, the information TE provides on SVHC in articles for this part number is based on the latest European Chemicals Agency (ECHA) 'Guidance on requirements for substances in articles' posted at this URL: <https://echa.europa.eu/guidance-documents/guidance-on-reach>

Compatible Parts



Customers Also Bought



## Documents

### Product Drawings

[222K142-25L-0](#)

English

### Datasheets & Catalog Pages

[1654025\\_Sec4\\_-25](#)

English

### Raychem Molded Parts Visual Guide

English

### Product Specifications

RAYCHEM BRAND MOULDED COMPONENTS, LIGHT WEIGHT, FLAME RETARDED, SEMI-RIGID, HEAT SHRINKABLE, ELASTOMER (-25L)

English