

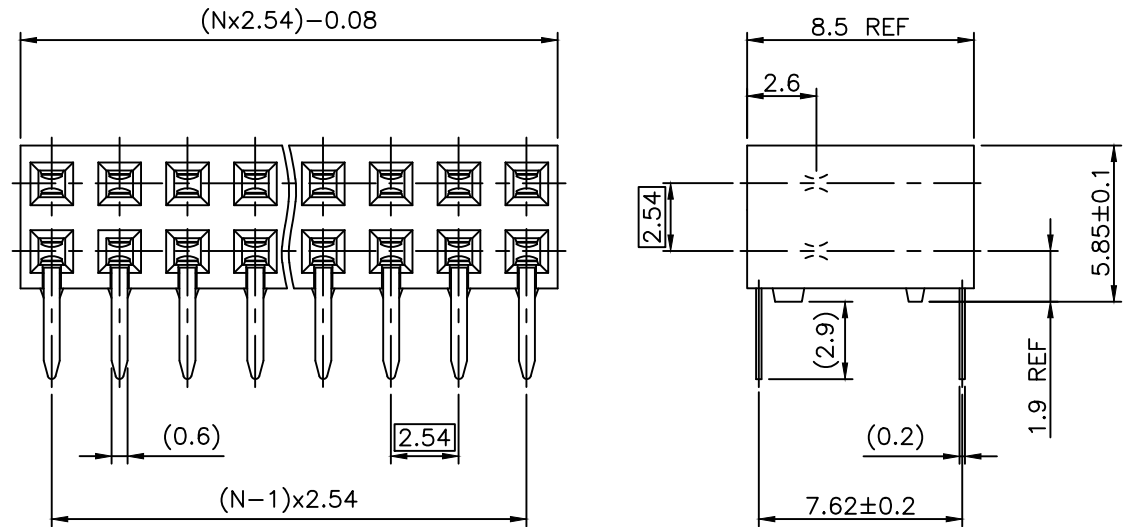
PRODUCT NUMBER

89883-YXXXLF

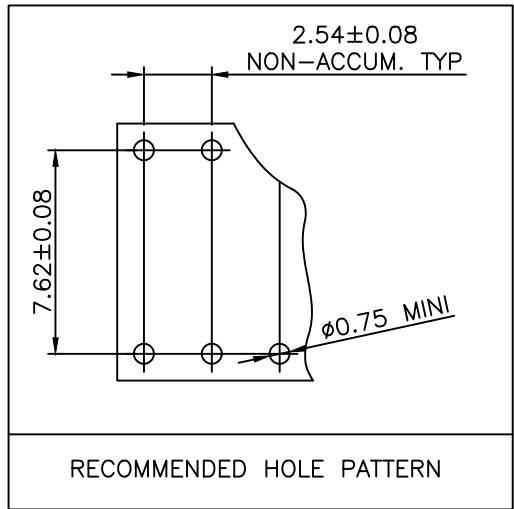
- RoHS COMPATIBLE, SEE NOTE 5.
- OPTIONAL LETTER  
H: HIGH TEMPERATURE PRODUCT.
- NUMBER OF POSITIONS PER ROW: 02 TO 65.
- PLATING CODE  
3= 0.76µm GOLD ON CONTACT AREA.  
2µm MIN MATTE TIN ON TAIL.
- 4= 2µm MIN MATTE TIN FULL PLATED
- 7= 1.27µm GOLD ON CONTACT AREA.  
2µm MIN MATTE TIN ON TAIL.
- 1.27µm Ni MIN UNDERPLATING

NOTES:

- 1 - HOUSING MAT'L: THERMOPLASTIC GLASS FILLED FLAME RETARDANT PER UL 94 V-0.  
LOW TEMPERATURE: COLOR BLUE.  
HIGH TEMPERATURE: COLOR GREY.
- 2 - TERMINAL MATERIAL: PHOSPHOR BRONZE.
- 3 - 2 UP TO 4 POSITIONS PRODUCT PACKED IN PLASTIC BOX.  
5 UP TO 65 POSITIONS PRODUCT PACKED IN TUBE.
- 4 - TO DETERMINE DIMENSIONS:  
N = NUMBER OF POSITIONS PER ROW  
EXAMPLE: 8 POS: (N×2.54)-0.08=20.24 mm.
- 5 - RoHS COMPATIBLE PRODUCT SPECIFICATIONS
  - a - PLATING:
    - "LF" MEANS THE PRODUCT IS LEAD-FREE,  
2µm MINIMUM MATTE TIN OVER 1.27µm  
MINIMUM NICKEL UNDERPLATE.
  - b - MANUFACTURING PROCESS COMPATIBILITY
    - THE HOUSING WILL WITHSTAND EXPOSURE TO  
260°C ±5°C SOLDER BATH TEMPERATURE FOR  
5 SECONDS IN A WAVE SOLDER APPLICATION  
WITH A 1.6mm MIN THICK CIRCUIT BOARD.
  - c - LABELING:
    - MEETS PACKAGING SPECS AS PER GS-14-920
  - d - LEGAL STATEMENT: SEE GS-47-0004



mat'l. code SEE NOTES				surface ISO 1302 ✓		tolerance ISO 406 ISO 1101		projection mm		product family DUBOX	
ltr	ecn no	dr	date	tolerances unless otherwise specified		±0.3		mm		title BtB RECEPT. HORIZ DR TMT	
K	F-47149	LMU	23.01.31	angles	linear			scale 5:1		dwg no 89883	
E	F70454	PNZ	97.06.23	±2'						sheet 1 of 2	
F	F10110	GCO	01.01.16	dr	D LEGRAND	04.09.28					size A3
G	F04-0347	DLE	04.09.28	engr	P NIZZI	04.09.28					
H	F06-0204	DLE	06.06.21	chr	D LEGRAND	04.09.28					
J	B-19123	LMU	14.10.21	appd	P NZ	04.09.28					
sheet	revision	K	B								
index	sheet	1	2								



Copyright FCI

mat'l. code		surface		tolerance		projection		product family		
SEE SHEET 1		ISO 1302 ✓		ISO 406 ISO 1101				DUBOX		
ltr	ecn no	dr	date	tolerances unless otherwise specified		mm		title		
A	F04-0347	DLE	04.09.28	angles	linear	±0.3		BtB RECEPT. HORIZ DR TMT		
B	F06-0204	DLE	06.06.21							
				±2'			scale 5:1			
		dr	D LEGRAND	04.09.28			dwg no		sheet 2 of 2	size
		enfr	P NIZZI	04.09.28			89883		A4	
		chr	D LE	04.09.28			type		CUSTOMER Drawing	
		appd	P NZ	04.09.28						
sheet index	revision sheet									