

UNLESS OTHERWISE NOTED
 DIMENSIONS ARE IN INCHES TOLERANCES ARE:
 ONE PLACE DECIMALS ± .1[.25] THREE PLACE DECIMALS ± .005[.127]
 TWO PLACE DECIMALS ± .01[.25] FOUR PLACE DECIMALS ± .0020[.051] ANGLES ± 2°

TITLE:
 .200 SOCKET
 POWER ASSEMBLY

DWG NO:
 PSS-XX-XX-X-X-XX
 SHEET 1 OF 2

DO NOT SCALE FROM THIS PRINT

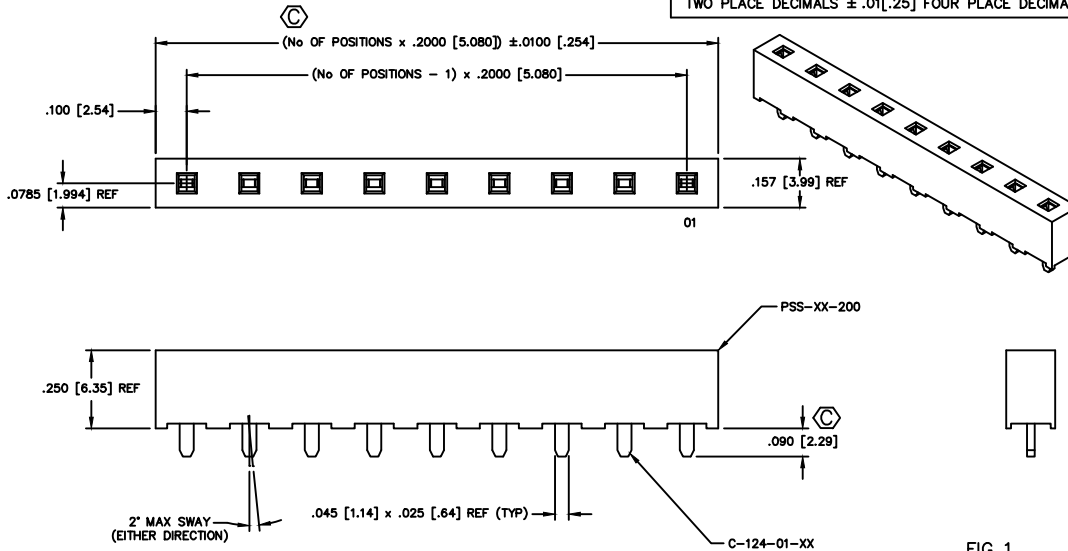


FIG 1
 -01 LEAD STYLE

PSS-XX-XX-X-X-X-XX

No OF POSITIONS
 -02 THRU -20

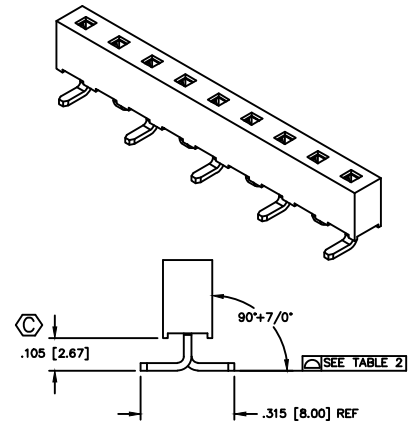
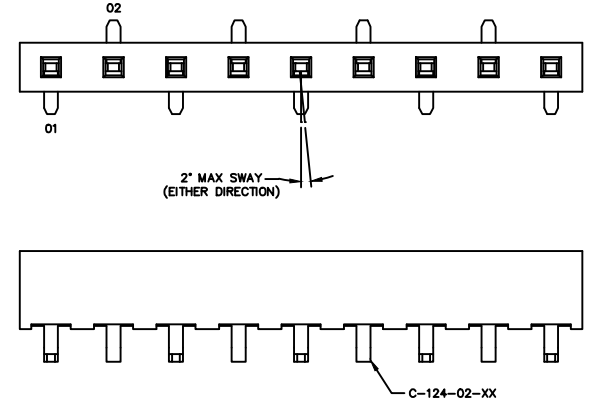
LEAD STYLE
 -01: .090 TAIL (SEE FIG 1) (USE C-124-XX-XX)
 -02: SURFACE MOUNT (SEE FIG 2) (USE C-124-XX-XX)

PACKAGING
 BLANK: TUBES (SEE NOTE 7)
 -TR: TAPE & REEL (SEE NOTES 8 & 9) (AVAILABLE ON -02 LEAD STYLE, -02 THRU -14 POSITIONS ONLY)
 -FR: FULL REEL QTY TAPE & REEL (SEE NOTES 8 & 9) (AVAILABLE ON -02 LEAD STYLE, -02 THRU -14 POSITIONS ONLY)
PICK & PLACE OPTION
 -K: POLYIMIDE FILM PAD (SEE SHEET TWO)
ROW SPECIFICATION
 -S: SINGLE ROW (USE PSS-20-200)

PLATING SPECIFICATION
 -T: TIN (USE C-124-XX-T)
 -TM: MATTE TIN (USE C-124-XX-T)
 -H: HEAVY GOLD (USE C-124-XX-H)

- NOTES:
1. MAX ALLOWABLE BOW: .005 IN/IN AFTER ASSEMBLY
 2. PUSHOUT FORCE SHALL BE: 2 lb MINIMUM.
 3. (C) REPRESENTS A CRITICAL DIMENSION.
 4. INSERTION FORCE: 1.75 LB AVG
 5. WITHDRAWAL FORCE: 1.25 LB AVG
 6. ENDWALL THICKNESS: .021
 7. TUBES ARE STANDARD PACKAGING.
 8. ORDERS WILL BE PACKAGED ACCORDING TO THE SAMTEC PACKAGING EFFICIENCY STANDARDS (SPES) FOUND ON WWW.SAMTEC.COM.
 9. ATTACH LABEL TO EACH REEL.

FIG 2
 -02: SURFACE MOUNT
 (SAME AS FIG 1 UNLESS OTHERWISE STATED)



INPROCESS FOR -02

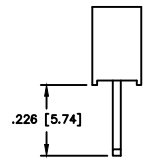


TABLE 2

No OF POS	COPLANARITY
02-14	.006
15-20	.008

PACKAGING VIEWS

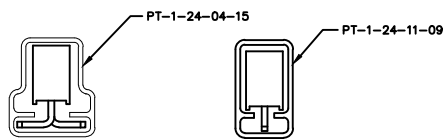


TABLE 1

LEAD STYLE	PACKAGING TUBE	PLUG
-01	PT-1-24-11-09	TP-09
-02	PT-1-24-04-15	TP-03

PROPRIETARY NOTE
 THIS DOCUMENT CONTAINS INFORMATION CONFIDENTIAL AND PROPRIETARY TO SAMTEC INC. AND SHALL NOT BE REPRODUCED OR TRANSMITTED IN ANY FORM OR BY ANY MEANS, ELECTRONIC OR MECHANICAL, INCLUDING PHOTOCOPYING, RECORDING, OR BY ANY INFORMATION STORAGE AND RETRIEVAL SYSTEM, WITHOUT THE EXPRESS WRITTEN CONSENT OF SAMTEC INC.

MATERIAL:
 INSULATOR: VECTRA E130i
 COLOR: BLACK
 CONTACT: BeCu 174 HT

MAX FLASH ALLOWED: .020 [.51]



520 PARK EAST BLVD. NEW ALBANY, INDIANA 47150
 PHONE (812) 944-6733 P.O. BOX 1147
 CODE 55322

MADE BY: PURVIS 08-13-98 PSS-XX-XX-X-X-XX SHEET 1 OF 2

MISC/MKTG PSS-MKT1