

MCC 1/ 3-STZF-3,81 - PCB connector



1852370

<https://www.phoenixcontact.com/us/products/1852370>

Please be informed that the data shown in this PDF document is generated from our online catalog. Please find the complete data in the user documentation. Our general terms of use for downloads are valid.



PCB connector, nominal cross section: 1 mm², color: green, nominal current: 8 A, rated voltage (III/2): 160 V, contact connection type: Socket, number of potentials: 3, number of rows: 1, number of positions: 3, number of connections: 3, product range: MCC 1/..-STZF, pitch: 3.81 mm, connection method: Crimp connection, conductor/PCB connection direction: 0 °, plug-in system: COMBICON MC 1,5, locking: Screw locking mechanism, mounting: Screw flange, type of packaging: packed in cardboard, Corresponding female crimp contacts with current [A] and conductor cross section range [mm²] data: 5A/MCC-MT 0,2-0,35 (1859988); 8A/MCC-MT 0,5-1,0 (1859991)

Your advantages

- Inexpensive connection of large quantities of preassembled conductors
- Screwable flange for superior mechanical stability
- Pull-out aid facilitates handling and allows the tensile force to be reduced at the contact point

Commercial data

Item number	1852370
Packing unit	50 pc
Minimum order quantity	50 pc
Sales key	AA02
Product key	AABCAB
Catalog page	Page 207 (C-1-2013)
GTIN	4017918143930
Weight per piece (including packing)	1.893 g
Weight per piece (excluding packing)	1.879 g
Customs tariff number	85366990
Country of origin	PL

MCC 1/ 3-STZF-3,81 - PCB connector



1852370

<https://www.phoenixcontact.com/us/products/1852370>

Technical data

Product properties

Product type	PCB connector
Product family	MCC 1/..-STZF
Product line	COMBICON Connectors S
Type	Standard
Number of positions	3
Pitch	3.81 mm
Number of connections	3
Number of rows	1
Number of potentials	3
Mounting flange	Screw flange

Electrical properties

Nominal current I_N	8 A
Nominal voltage U_N	160 V
Degree of pollution	3
Rated voltage (III/3)	160 V
Rated surge voltage (III/3)	2.5 kV
Rated voltage (III/2)	160 V
Rated surge voltage (III/2)	2.5 kV
Rated voltage (II/2)	320 V
Rated surge voltage (II/2)	2.5 kV

Connection data

Connection technology

Type	Standard
Connector system	COMBICON MC 1,5
Nominal cross section	1 mm ²
Contact connection type	Socket

Interlock

Locking type	Screw locking mechanism
Mounting flange	Screw flange

Conductor connection

Connection method	Crimp connection
Conductor/PCB connection direction	0 °
Conductor cross section flexible	0.2 mm ² ... 1 mm ²
Conductor cross section AWG	24 ... 18

Material specifications

MCC 1/ 3-STZF-3,81 - PCB connector

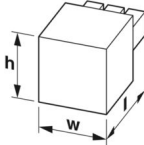
1852370

<https://www.phoenixcontact.com/us/products/1852370>

Material data - housing

Color (Housing)	green (6021)
Insulating material	PA
Insulating material group	I
CTI according to IEC 60112	600
Flammability rating according to UL 94	V0
Glow wire flammability index GWFI according to EN 60695-2-12	850
Glow wire ignition temperature GWIT according to EN 60695-2-13	775
Temperature for the ball pressure test according to EN 60695-10-2	125 °C

Dimensions

Dimensional drawing	
Pitch	3.81 mm
Width [w]	21.82 mm
Height [h]	8.7 mm
Length [l]	23.1 mm

Environmental and real-life conditions

Ambient conditions

Ambient temperature (operation)	-40 °C ... 100 °C (dependent on the derating curve)
Ambient temperature (storage/transport)	-40 °C ... 70 °C
Relative humidity (storage/transport)	30 % ... 70 %
Ambient temperature (assembly)	-5 °C ... 100 °C

Electrical tests

Air clearances and creepage distances |

Insulating material group	I
Rated insulation voltage (III/3)	160 V
Rated surge voltage (III/3)	2.5 kV
Rated insulation voltage (III/2)	160 V
Rated surge voltage (III/2)	2.5 kV
Rated insulation voltage (II/2)	320 V
Rated surge voltage (II/2)	2.5 kV

Packaging specifications

Type of packaging	packed in cardboard
-------------------	---------------------

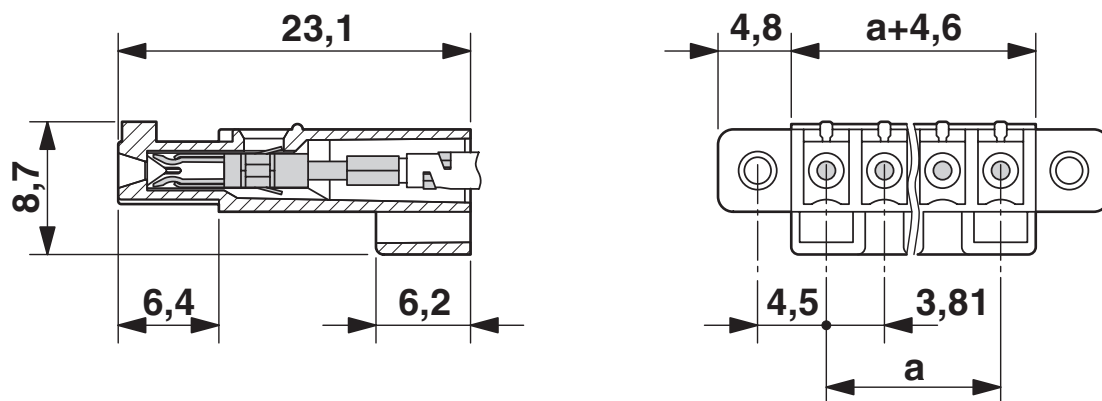
MCC 1/ 3-STZF-3,81 - PCB connector

1852370

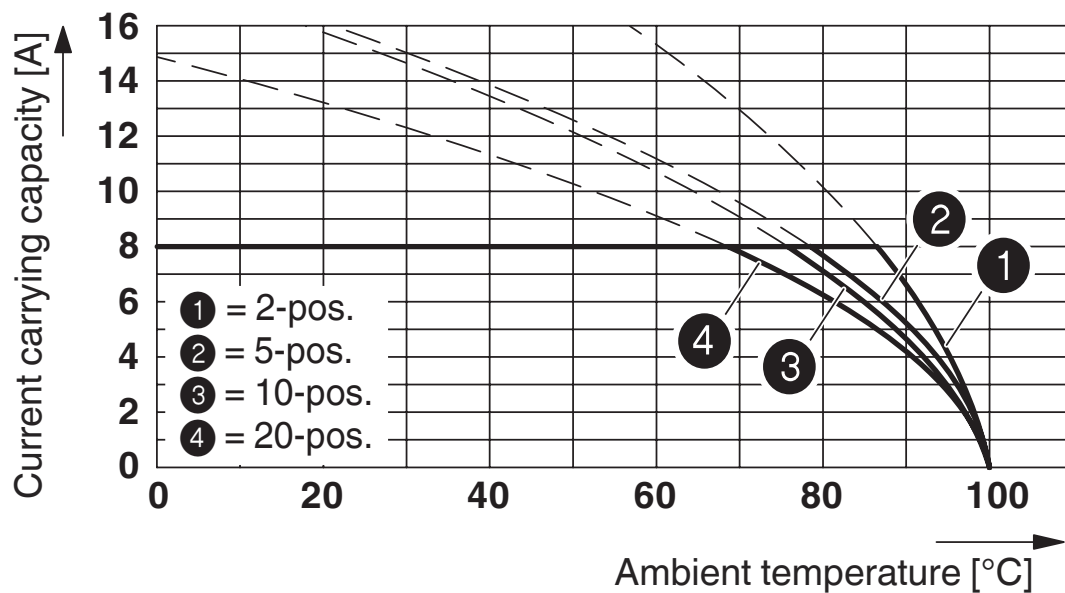
<https://www.phoenixcontact.com/us/products/1852370>

Drawings

Dimensional drawing



Diagram



Type: MCC 1/...-ST-3,81 with MC 1,5/...-G-3,81; contact: MCC-MT 0,5 - 1,0

MCC 1/ 3-STZF-3,81 - PCB connector




1852370

<https://www.phoenixcontact.com/us/products/1852370>

Approvals

To download certificates, visit the product detail page: <https://www.phoenixcontact.com/us/products/1852370>

 cULus Recognized Approval ID: E60425-20110128		Nominal voltage U_N	Nominal current I_N	Cross section AWG	Cross section mm^2
Use group B		300 V	5 A	24 - 22	-
Use group D		300 V	5 A	24 - 22	-

MCC 1/ 3-STZF-3,81 - PCB connector



1852370

<https://www.phoenixcontact.com/us/products/1852370>

Classifications

ECLASS

ECLASS-11.0	27460202
ECLASS-12.0	27460202
ECLASS-13.0	27460202

ETIM

ETIM 9.0	EC002638
----------	----------

UNSPSC

UNSPSC 21.0	39121400
-------------	----------

MCC 1/ 3-STZF-3,81 - PCB connector



1852370

<https://www.phoenixcontact.com/us/products/1852370>

Environmental product compliance

EU RoHS

Fulfills EU RoHS substance requirements	Yes, No exemptions
---	--------------------

China RoHS

Environment friendly use period (EFUP)	EFUP-E
	No hazardous substances above the limits

EU REACH SVHC

REACH candidate substance (CAS No.)	No substance above 0.1 wt%
-------------------------------------	----------------------------

MCC 1/ 3-STZF-3,81 - PCB connector

1852370

<https://www.phoenixcontact.com/us/products/1852370>



Accessories

CRIMPFOX-1,6-ER-1,50-GH - Crimping pliers

1772793

<https://www.phoenixcontact.com/us/products/1772793>



Crimping pliers, for IBS DSUB.../C

SZS 0,4X2,5 VDE - Screwdriver

1205037

<https://www.phoenixcontact.com/us/products/1205037>



Screwdriver, slot-headed, VDE insulated, size: 0.4 x 2.5 x 80 mm, 2-component grip, with non-slip grip

MCC 1/ 3-STZF-3,81 - PCB connector

1852370

<https://www.phoenixcontact.com/us/products/1852370>

STZ 2-PCC 4-7,62 - Strain relief

1840214

<https://www.phoenixcontact.com/us/products/1840214>



Strain relief, for the PCC 4/..-ST and 3-pos. ... 4-pos. MCC 1/..-STZ(F) connector, for snapping into the latching chambers, can be labeled with ZB 6

STZ 3-PCC 4-7,62 - Strain relief

1840227

<https://www.phoenixcontact.com/us/products/1840227>



Strain relief, for the PCC 4/..-ST and 5-pos. ... 10-pos. MCC 1/..-STZ(F) connector, for snapping into the latching chambers, can be labeled with ZB 6

MCC 1/ 3-STZF-3,81 - PCB connector

1852370

<https://www.phoenixcontact.com/us/products/1852370>



STZ 5-PCC 4-7,62 GN - Strain relief

1842005

<https://www.phoenixcontact.com/us/products/1842005>



Strain relief, for the PCC 4/...-ST and 11-pos. ... 15-pos. MCC 1/...-STZ(F) connector, for snapping into the latching chambers, can be labeled with ZB 6

STZ 8-PCC 4-7,62 - Strain relief

1840230

<https://www.phoenixcontact.com/us/products/1840230>



Strain relief, for the PCC 4/...-ST and 16-pos. ... 20-pos. MCC 1/...-STZ(F) connector, for snapping into the latching chambers, can be labeled with ZB 6

MCC 1/ 3-STZF-3,81 - PCB connector



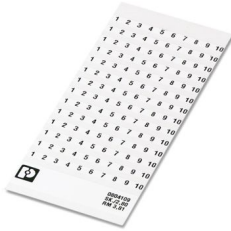
1852370

<https://www.phoenixcontact.com/us/products/1852370>

SK 3,81/2,8:FORTL.ZAHLEN - Marker card

0804109

<https://www.phoenixcontact.com/us/products/0804109>



Marker card, Sheet, white, labeled, horizontal: consecutive numbers 1 ... 10, 11 .
.. 20, etc. up to 91 ... (99)100, mounting type: adhesive, for terminal block width:
3.81 mm, lettering field size: 3.81 x 2.8 mm, Number of individual labels: 14

MCC-MT 0,5-1,0 - Crimp contact

1859991

<https://www.phoenixcontact.com/us/products/1859991>



Female contact, is inserted into the plug after crimping the conductor, for the
module plug housing MCC 1...-STZ-3,81 and MCC 1...-STZF-3,81, for cross
sections of 0.5 mm² to 1 mm²

MCC 1/ 3-STZF-3,81 - PCB connector

1852370

<https://www.phoenixcontact.com/us/products/1852370>



MCC-MT 0,2-0,35 - Crimp contact

1859988

<https://www.phoenixcontact.com/us/products/1859988>



Female contact, is inserted into the plug after crimping the conductor, for the module plug housing MCC 1...-STZ-3,81 and MCC 1...-STZF-3,81, for cross sections of 0.2 mm² to 0.34 mm²

MCC-MT 0,2-0,35 (0,0) BA - Crimp contact

1923717

<https://www.phoenixcontact.com/us/products/1923717>



Female contact, is inserted into the plug after crimping the conductor, for the module plug housing MCC 1...-STZ-3,81 and MCC 1...-STZF-3,81, for cross sections of 0.2 mm² to 0.34 mm²

MCC 1/ 3-STZF-3,81 - PCB connector

1852370

<https://www.phoenixcontact.com/us/products/1852370>



MCC-MT 0,5-1,0 BAND - Crimp contact

1898622

<https://www.phoenixcontact.com/us/products/1898622>

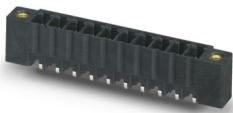


Female contact, is inserted into the plug after crimping the conductor, for the module plug housing MCC 1...-STZ-3,81 and MCC 1...-STZF-3,81, for cross sections of 0.5 mm² to 1 mm²

MCV 1,5/ 3-GF-3,81 P14 THR - PCB header

1707227

<https://www.phoenixcontact.com/us/products/1707227>



PCB headers, nominal cross section: 1.5 mm², color: black, nominal current: 8 A, rated voltage (III/2): 160 V, contact surface: Tin, contact connection type: Pin, number of potentials: 3, number of rows: 1, number of positions: 3, number of connections: 3, product range: MCV 1,5/..-GF-THR, pitch: 3.81 mm, mounting: THR soldering, pin layout: Linear pinning, solder pin [P]: 1.4 mm, number of solder pins per potential: 1, plug-in system: COMBICON MC 1,5, Pin connector pattern alignment: Standard, locking: Screw locking mechanism, mounting: Threaded flange, type of packaging: packed in cardboard, For user information and design recommendations for through-hole reflow technology, go to: Downloads

MCC 1/ 3-STZF-3,81 - PCB connector

1852370

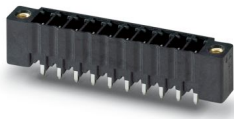
<https://www.phoenixcontact.com/us/products/1852370>



MCV 1,5/ 3-GF-3,81 P26 THR - PCB header

1707641

<https://www.phoenixcontact.com/us/products/1707641>



PCB headers, nominal cross section: 1.5 mm², color: black, nominal current: 8 A, rated voltage (III/2): 160 V, contact surface: Tin, contact connection type: Pin, number of potentials: 3, number of rows: 1, number of positions: 3, number of connections: 3, product range: MCV 1,5/..-GF-THR, pitch: 3.81 mm, mounting: THR soldering, pin layout: Linear pinning, solder pin [P]: 2.6 mm, number of solder pins per potential: 1, plug-in system: COMBICON MC 1,5, Pin connector pattern alignment: Standard, locking: Screw locking mechanism, mounting: Threaded flange, type of packaging: packed in cardboard, For user information and design recommendations for through-hole reflow technology, go to: [Downloads](#)

Phoenix Contact 2024 © - all rights reserved

<https://www.phoenixcontact.com>

Phoenix Contact USA

586 Fulling Mill Road

Middletown, PA 17057, United States

(+717) 944-1300

info@phoenixcon.com