

CUC-PPC-C2ZNI-SX/24FKP5:FC - Power connector



1425514

<https://www.phoenixcontact.com/us/products/1425514>

Please be informed that the data shown in this PDF document is generated from our online catalog. Please find the complete data in the user documentation. Our general terms of use for downloads are valid.



Power connector, degree of protection: IP65/IP67, number of positions: 5, material: Metal, connection method: Spring-cage connection, connection cross section: AWG 18- 13, cable outlet: straight, Universal

Your advantages

- Flexible coding
- Increased temperature range
- Lockable
- One-part housing

Commercial data

| | |
|--------------------------------------|---------------------|
| Item number | 1425514 |
| Packing unit | 1 pc |
| Minimum order quantity | 1 pc |
| Sales key | AB17 |
| Product key | ABNOHA |
| Catalog page | Page 364 (C-2-2019) |
| GTIN | 4055626407234 |
| Weight per piece (including packing) | 110.2 g |
| Weight per piece (excluding packing) | 107.5 g |
| Customs tariff number | 85366990 |
| Country of origin | PL |

1425514

<https://www.phoenixcontact.com/us/products/1425514>

Technical data

Notes

| | |
|---------|---|
| General | This product corresponds to the PROFINET Cabling and Interconnection Technology Guideline for PROFINET regulations, version 2.00, order no: 2.252, Chapter 11 Connectors for 24 Volt Power Supply Cabling and Chapter 13 Application specific Cabling and Interconnection Technology (AIDA) |
|---------|---|

Product properties

| | |
|---------------------|-----------------------------|
| Product type | Data connector (cable side) |
| Type | MSTB |
| Sensor type | Universal |
| Number of positions | 5 |
| Connection profile | MSTB |
| Type | flexible coding |
| Cable outlet | straight |

Insulation characteristics

| | |
|----------------------|---|
| Overvoltage category | I |
| Degree of pollution | 3 |

Electrical properties

| | |
|-----------------------------|-----------------|
| Rated voltage (II/2) | 630 V |
| Rated voltage (III/2) | 400 V |
| Rated voltage (III/3) | 24 V |
| | 250 V |
| Rated surge voltage (II/2) | 4 kV |
| Rated surge voltage (III/2) | 4 kV |
| Rated surge voltage (III/3) | 4 kV |
| Rated current | 16 A (at 20 °C) |
| | 16 A |
| Nominal voltage U_N | 24 V |
| Nominal current I_N | 16 A |
| Transmission medium | Copper |
| Power transmission | PoE |

Connection data

Connection technology

| | |
|------------------------------|--|
| Connection method | Spring-cage connection |
| Connection cross section AWG | 18 ... 13 |
| Conductor cross section | 0.75 mm ² ... 2.5 mm ² |

Dimensions

CUC-PPC-C2ZNI-SX/24FKP5:FC - Power connector



1425514

<https://www.phoenixcontact.com/us/products/1425514>

| | |
|--------|-------|
| Width | 31 mm |
| Height | 36 mm |
| Length | 67 mm |

Material specifications

| | |
|--|------------------|
| Material | Metal |
| Flammability rating according to UL 94 | V0 |
| Seal material | NBR |
| Housing material | Metal |
| Housing surface material | nickel-plated |
| Cable seal material | TPE |
| Contact material | Copper alloy |
| Contact surface material | Gold over nickel |
| Contact carrier material | PA |

Cable/line

| | |
|---|----------------------|
| External cable diameter | 9 mm ... 13 mm |
| External cable diameter | 9 mm ... 13 mm |
| Stripping length of the individual wire | 10 mm |
| Cable cross section | 0.75 mm ² |

Environmental and real-life conditions

Ambient conditions

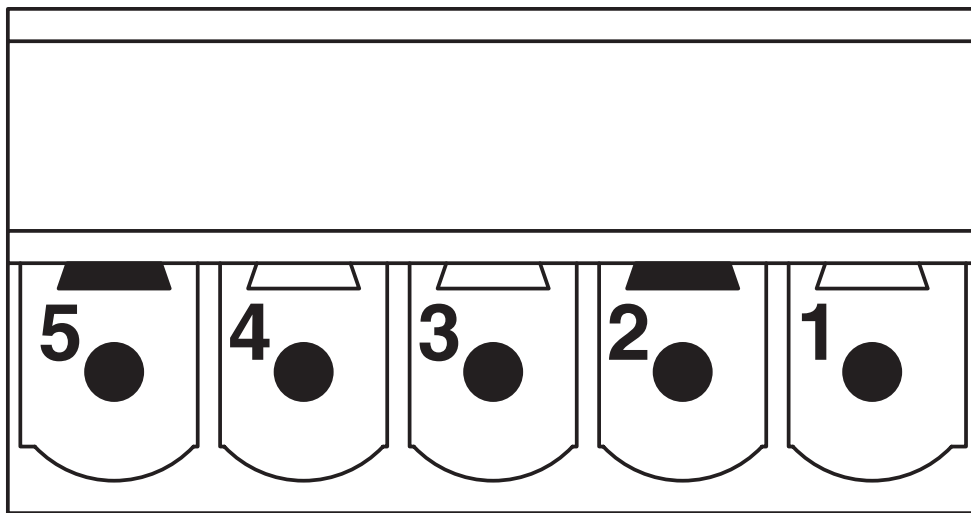
| | |
|---|------------------|
| Degree of protection | IP65/IP67 |
| Ambient temperature (operation) | -40 °C ... 85 °C |
| Ambient temperature (storage/transport) | -40 °C ... 85 °C |
| Ambient temperature (assembly) | -10 °C ... 40 °C |

1425514

<https://www.phoenixcontact.com/us/products/1425514>

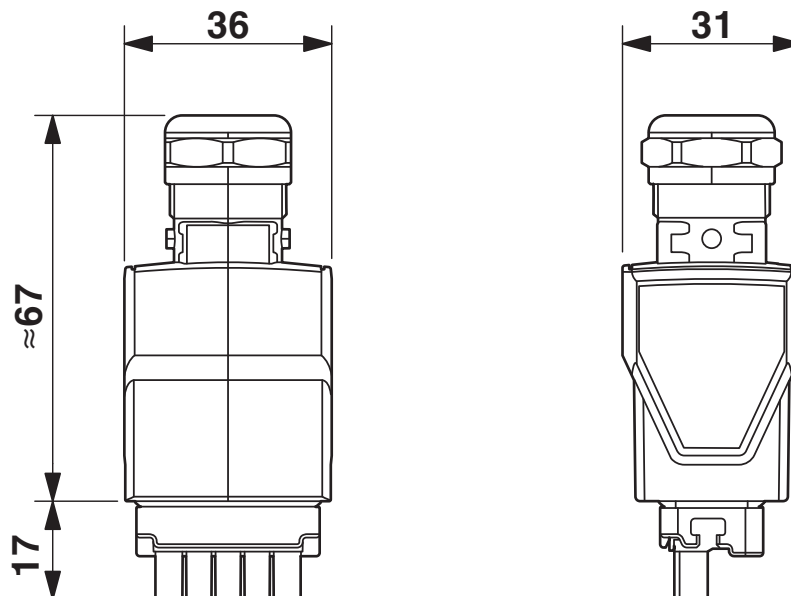
Drawings

Schematic diagram



Pin assignment PROFINET push-pull, power connector, 24 V, flexible coding

Dimensional drawing



Push-Pull connector

CUC-PPC-C2ZNI-SX/24FKP5:FC - Power connector




1425514

<https://www.phoenixcontact.com/us/products/1425514>

Approvals

To download certificates, visit the product detail page: <https://www.phoenixcontact.com/us/products/1425514>

|  cULus Recognized Approval ID: E118976-20080903 | | Nominal voltage U_N | Nominal current I_N | Cross section AWG | Cross section mm^2 |
|--|--|-----------------------|-----------------------|-------------------|-----------------------------|
| | | 24 V | 16 A | - 14 | - |

CUC-PPC-C2ZNI-SX/24FKP5:FC - Power connector



1425514

<https://www.phoenixcontact.com/us/products/1425514>

Classifications

ECLASS

| | |
|-------------|----------|
| ECLASS-11.0 | 27440101 |
| ECLASS-12.0 | 27440113 |
| ECLASS-13.0 | 27440116 |

ETIM

| | |
|----------|----------|
| ETIM 9.0 | EC002636 |
|----------|----------|

UNSPSC

| | |
|-------------|----------|
| UNSPSC 21.0 | 39121400 |
|-------------|----------|

1425514

<https://www.phoenixcontact.com/us/products/1425514>

Environmental product compliance

EU RoHS

| | |
|---|--------------------|
| Fulfills EU RoHS substance requirements | Yes, No exemptions |
|---|--------------------|

China RoHS

| | |
|--|--|
| Environment friendly use period (EFUP) | EFUP-E |
| | No hazardous substances above the limits |

EU REACH SVHC

| | |
|-------------------------------------|---|
| REACH candidate substance (CAS No.) | 6,6'-di-tert-butyl-2,2'-methylenedi-p-cresol(CAS: 119-47-1) |
| SCIP | 9c71fc3-6b81-4eb7-9eaa-58c0433eb66e |

1425514

<https://www.phoenixcontact.com/us/products/1425514>

Accessories

AI 1,5 -10 BK - Ferrule

3200195

<https://www.phoenixcontact.com/us/products/3200195>



Ferrule, sleeve length: 10 mm, color: black

AI 2,5 -10 BU - Ferrule

3202533

<https://www.phoenixcontact.com/us/products/3202533>



Ferrule, sleeve length: 10 mm, color: blue

CUC-PPC-C2ZNI-SX/24FKP5:FC - Power connector



1425514

<https://www.phoenixcontact.com/us/products/1425514>

CRIMPFOX ZA 3 - Tool

1201882

<https://www.phoenixcontact.com/us/products/1201882>



Crimping pliers, for ferrules in accordance with DIN 46228-1: 1992-08 and DIN 46228-4: 1990-09

VS-PN-CABLE-1020/PVC-5X2,5/100 - Power cable

1609523

<https://www.phoenixcontact.com/us/products/1609523>



PROFINET power cable, 5x 2.5 mm², stranded (7-wire), outer sheath: PVC, outside diameter 11.8 mm, RAL 7001 (silver gray), oil-resistant, cable ring: 100 m

CUC-PPC-C2ZNI-SX/24FKP5:FC - Power connector



1425514

<https://www.phoenixcontact.com/us/products/1425514>

VS-PPC-F2-MSTB-MNNA-1R-P - Panel mounting frames

1608087

<https://www.phoenixcontact.com/us/products/1608087>



MSTB panel mounting frame, IP67, for push-pull interlocking, metal, for PCB connection, for square panel cutout, with grommet, without mounting screws

CUC-V14-F2ZNI-EM/24FN5:FC - Panel feed-through

1408235

<https://www.phoenixcontact.com/us/products/1408235>



Push/pull panel mounting frame, metal, version 14, including contact insert with spring-cage connection, flexible coding, for rectangular mounting cutout, with seal, without fixing screws

CUC-PPC-C2ZNI-SX/24FKP5:FC - Power connector



1425514

<https://www.phoenixcontact.com/us/products/1425514>

VS-MSTBAH 2,5/ 5-GB-5,08-BK-A - Female insert

1657915

<https://www.phoenixcontact.com/us/products/1657915>

MSTB contact insert, for PCB assembly, 24 V, 5-pos., with angled solder pins, RAL 9005 (black), for panel mounting frame VS-PPC-F2-MSTB-...-1R-P



VS-MSTBVA 2,5/ 5-GB-5,08-BK-A - Male insert

1609565

<https://www.phoenixcontact.com/us/products/1609565>

MSTB contact insert, for PCB assembly, 24 V, 5-pos., with straight solder pins, RAL 9005 (black), for panel mounting frame VS-PPC-F2-MSTB-...-1R-P



CUC-PPC-C2ZNI-SX/24FKP5:FC - Power connector



1425514

<https://www.phoenixcontact.com/us/products/1425514>

VS-PPC-F2-PC-POBK - Protective cap

1405329

<https://www.phoenixcontact.com/us/products/1405329>



Protective cap, IP65, with push-pull locking for covering the contact insert in the push-pull connector for Power, plastic

VS-PPC-J-4X-1227 - Power distributor

1405387

<https://www.phoenixcontact.com/us/products/1405387>



Power distributor, degree of protection: IP65, number of positions: 5, material: Metal, connection method: Coupling, cable outlet: straight, color: black, Universal

CUC-PPC-C2ZNI-SX/24FKP5:FC - Power connector



1425514

<https://www.phoenixcontact.com/us/products/1425514>

VS-PPC-J-1220-1227-1020-... - Y distributor

1405484

<https://www.phoenixcontact.com/us/products/1405484>

Y distributor, degree of protection: IP65, number of positions: 5, material: Metal, connection method: Coupling, color: black



VS-PN-CABLE-1020/PVC-5X2,5/100 - Power cable

1609523

<https://www.phoenixcontact.com/us/products/1609523>

PROFINET power cable, 5x 2.5 mm², stranded (7-wire), outer sheath: PVC, outside diameter 11.8 mm, RAL 7001 (silver gray), oil-resistant, cable ring: 100 m



Phoenix Contact 2024 © - all rights reserved
<https://www.phoenixcontact.com>

Phoenix Contact USA
586 Fulling Mill Road
Middletown, PA 17057, United States
(+717) 944-1300
info@phoenixcon.com