

CUC-PPC-C2ZNI-SS/24FKP5 - Power connector



1421785

<https://www.phoenixcontact.com/us/products/1421785>

Please be informed that the data shown in this PDF document is generated from our online catalog. Please find the complete data in the user documentation. Our general terms of use for downloads are valid.



Power connector, degree of protection: IP65/IP67, number of positions: 5, material: Metal, connection method: Spring-cage connection, connection cross section: AWG 18- 13, cable outlet: straight, Universal

Your advantages

- Fixed coding
- Increased temperature range
- Lockable
- One-part housing

Commercial data

Item number	1421785
Packing unit	1 pc
Minimum order quantity	1 pc
Sales key	AB17
Product key	ABNOHA
Catalog page	Page 364 (C-2-2019)
GTIN	4055626299792
Weight per piece (including packing)	111.1 g
Weight per piece (excluding packing)	109.5 g
Customs tariff number	85366990
Country of origin	PL

CUC-PPC-C2ZNI-SS/24FKP5 - Power connector



1421785

<https://www.phoenixcontact.com/us/products/1421785>

Technical data

Notes

General	This product corresponds to the PROFINET Cabling and Interconnection Technology Guideline for PROFINET regulations, version 2.00, order no: 2.252, Chapter 11 Connectors for 24 Volt Power Supply Cabling and Chapter 13 Application specific Cabling and Interconnection Technology (AIDA)
---------	---

Product properties

Product type	Data connector (cable side)
Application	Power
Sensor type	Universal
Number of positions	5
Connection profile	MSTB
Type	fixed coding
Cable outlet	straight

Insulation characteristics

Overvoltage category	I
Degree of pollution	3

Electrical properties

Rated voltage (II/2)	630 V
Rated voltage (III/2)	400 V
Rated voltage (III/3)	24 V 250 V
Rated surge voltage (II/2)	4 kV
Rated surge voltage (III/2)	4 kV
Rated surge voltage (III/3)	4 kV
Rated current	16 A (at 20 °C) 16 A
Nominal voltage U_N	24 V
Nominal current I_N	16 A
Transmission medium	Copper
Power transmission	PoE

Connection data

Connection technology

Connection method	Spring-cage connection
Connection cross section AWG	18 ... 13
Conductor cross section	0.75 mm ² ... 2.5 mm ²

Dimensions

CUC-PPC-C2ZNI-SS/24FKP5 - Power connector



1421785

<https://www.phoenixcontact.com/us/products/1421785>

Width	31 mm
Height	36 mm
Length	67 mm

Material specifications

Material	Metal
Flammability rating according to UL 94	V0
Seal material	NBR
Housing material	Metal
Housing surface material	nickel-plated
Cable seal material	TPE
Contact material	Copper alloy
Contact surface material	Gold over nickel
Contact carrier material	PA

Cable/line

External cable diameter	9 mm ... 13 mm
External cable diameter	6.5 mm ... 9 mm
Stripping length of the individual wire	10 mm
Cable cross section	0.75 mm ²

Mechanical properties

Mechanical data

Insertion/withdrawal cycles	≥ 100
-----------------------------	-------

Environmental and real-life conditions

Ambient conditions

Degree of protection	IP65/IP67
	IP65/IP67
Ambient temperature (operation)	-40 °C ... 85 °C
Ambient temperature (storage/transport)	-40 °C ... 85 °C
Ambient temperature (assembly)	-10 °C ... 40 °C

CUC-PPC-C2ZNI-SS/24FKP5 - Power connector

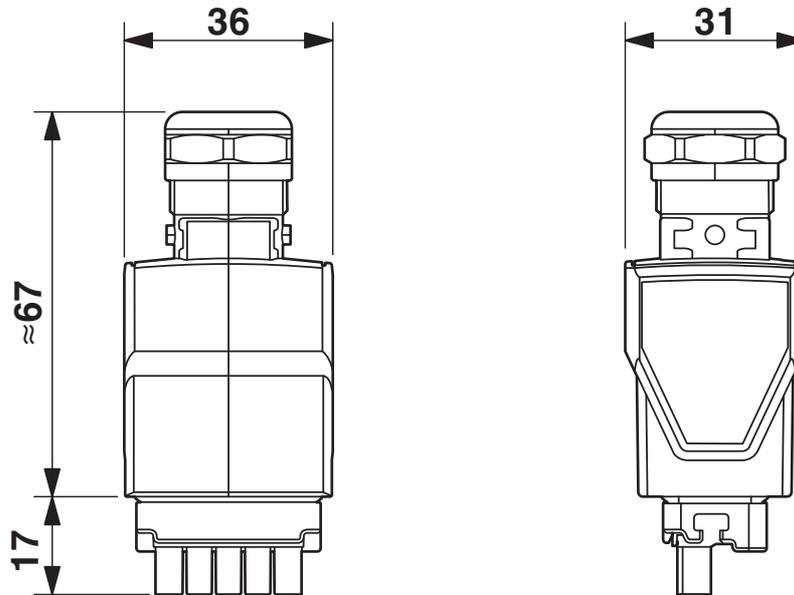


1421785

<https://www.phoenixcontact.com/us/products/1421785>

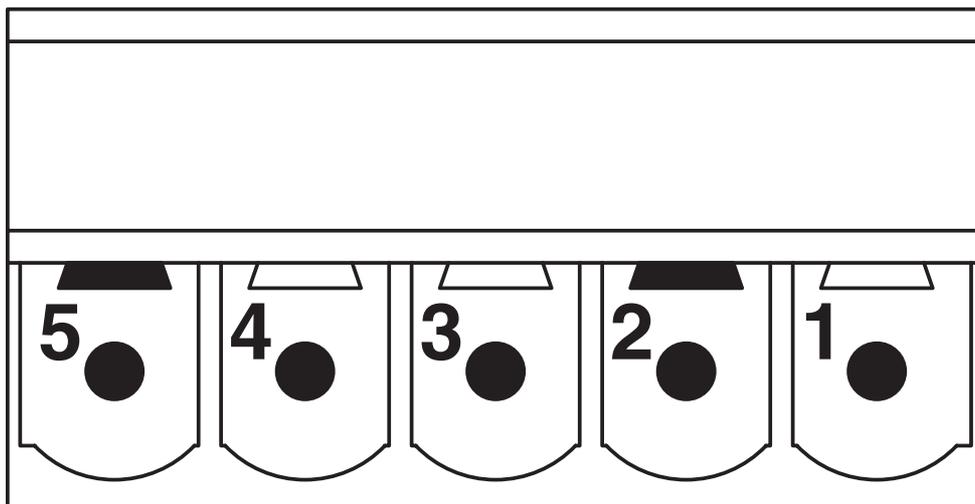
Drawings

Dimensional drawing



Push-Pull connector

Schematic diagram



Pin assignment PROFINET push-pull, power connector, 24 V, fixed coding

CUC-PPC-C2ZNI-SS/24FKP5 - Power connector



1421785

<https://www.phoenixcontact.com/us/products/1421785>

Approvals

To download certificates, visit the product detail page: <https://www.phoenixcontact.com/us/products/1421785>

 cULus Recognized Approval ID: E118976-20080903	Nominal voltage U_N	Nominal current I_N	Cross section AWG	Cross section mm^2
	24 V	16 A	- 14	-

CUC-PPC-C2ZNI-SS/24FKP5 - Power connector



1421785

<https://www.phoenixcontact.com/us/products/1421785>

Classifications

ECLASS

ECLASS-11.0	27440101
ECLASS-12.0	27440113
ECLASS-13.0	27440113

ETIM

ETIM 8.0	EC002636
----------	----------

UNSPSC

UNSPSC 21.0	39121400
-------------	----------

1421785

<https://www.phoenixcontact.com/us/products/1421785>

Environmental product compliance

EU RoHS

Fulfills EU RoHS substance requirements	Yes, No exemptions
---	--------------------

China RoHS

Environment friendly use period (EFUP)	EFUP-E
	No hazardous substances above the limits

EU REACH SVHC

REACH candidate substance (CAS No.)	6,6'-di-tert-butyl-2,2'-methylenedi-p-cresol(CAS: 119-47-1)
SCIP	e21b3448-d6f3-4a48-8bdb-f04c462a8cd2

1421785

<https://www.phoenixcontact.com/us/products/1421785>

Accessories

AI 1,5 -10 BK - Ferrule

3200195

<https://www.phoenixcontact.com/us/products/3200195>



Ferrule, sleeve length: 10 mm, color: black

AI 2,5 -10 BU - Ferrule

3202533

<https://www.phoenixcontact.com/us/products/3202533>



Ferrule, sleeve length: 10 mm, color: blue

CUC-PPC-C2ZNI-SS/24FKP5 - Power connector

1421785

<https://www.phoenixcontact.com/us/products/1421785>



CRIMPFOX ZA 3 - Tool

1201882

<https://www.phoenixcontact.com/us/products/1201882>



Crimping pliers, for ferrules in accordance with DIN 46228-1: 1992-08 and DIN 46228-4: 1990-09

VS-PN-CABLE-1021/PVC-5X1,5/100 - Power cable

1659007

<https://www.phoenixcontact.com/us/products/1659007>

Power cable, number of positions: 5, PROFINET/power



CUC-PPC-C2ZNI-SS/24FKP5 - Power connector

1421785

<https://www.phoenixcontact.com/us/products/1421785>



VS-PN-CABLE-1021/PVC-5X1,5/... - Power cable

1658998

<https://www.phoenixcontact.com/us/products/1658998>



PROFINET power cable, 5x 1.5 mm², stranded (7-wire), outer sheath: PVC, outside diameter 10 mm, RAL 7001 (silver gray), oil-resistant, by the meter

VS-PPC-F2-MSTB-MNNA-1R-P - Panel mounting frames

1608087

<https://www.phoenixcontact.com/us/products/1608087>



MSTB panel mounting frame, IP67, for push-pull interlocking, metal, for PCB connection, for square panel cutout, with grommet, without mounting screws

CUC-PPC-C2ZNI-SS/24FKP5 - Power connector



1421785

<https://www.phoenixcontact.com/us/products/1421785>

CUC-V14-F2ZNI-EM/24FN5:FC - Panel feed-through

1408235

<https://www.phoenixcontact.com/us/products/1408235>



Push/pull panel mounting frame, metal, version 14, including contact insert with spring-cage connection, flexible coding, for rectangular mounting cutout, with seal, without fixing screws

VS-MSTBAH 2,5/ 5-GB-5,08-BK-A - Female insert

1657915

<https://www.phoenixcontact.com/us/products/1657915>



MSTB contact insert, for PCB assembly, 24 V, 5-pos., with angled solder pins, RAL 9005 (black), for panel mounting frame VS-PPC-F2-MSTB-...-1R-P

CUC-PPC-C2ZNI-SS/24FKP5 - Power connector



1421785

<https://www.phoenixcontact.com/us/products/1421785>

VS-MSTBVA 2,5/ 5-GB-5,08-BK-A - Male insert

1609565

<https://www.phoenixcontact.com/us/products/1609565>

MSTB contact insert, for PCB assembly, 24 V, 5-pos., with straight solder pins, RAL 9005 (black), for panel mounting frame VS-PPC-F2-MSTB-...-1R-P



VS-PPC-F2-PC-POBK - Protective cap

1405329

<https://www.phoenixcontact.com/us/products/1405329>

Protective cap, IP65, with push-pull locking for covering the contact insert in the push-pull connector for Power, plastic



CUC-PPC-C2ZNI-SS/24FKP5 - Power connector

1421785

<https://www.phoenixcontact.com/us/products/1421785>



VS-PPC-J-4X-1227 - Power distributor

1405387

<https://www.phoenixcontact.com/us/products/1405387>

Power distributor, degree of protection: IP65, number of positions: 5, material: Metal, connection method: Coupling, cable outlet: straight, color: black, Universal



VS-PPC-J-1220-1227-1020-... - Y distributor

1405484

<https://www.phoenixcontact.com/us/products/1405484>

Y distributor, degree of protection: IP65, number of positions: 5, material: Metal, connection method: Coupling, color: black



CUC-PPC-C2ZNI-SS/24FKP5 - Power connector

1421785

<https://www.phoenixcontact.com/us/products/1421785>



VS-PN-CABLE-1021/PVC-5X1,5/100 - Power cable

1659007

<https://www.phoenixcontact.com/us/products/1659007>

Power cable, number of positions: 5, PROFINET/power



VS-PN-CABLE-1021/PVC-5X1,5/... - Power cable

1658998

<https://www.phoenixcontact.com/us/products/1658998>

PROFINET power cable, 5x 1.5 mm², stranded (7-wire), outer sheath: PVC, outside diameter 10 mm, RAL 7001 (silver gray), oil-resistant, by the meter



Phoenix Contact 2024 © - all rights reserved
<https://www.phoenixcontact.com>

Phoenix Contact USA
586 Fulling Mill Road
Middletown, PA 17057, United States
(+717) 944-1300
info@phoenixcon.com