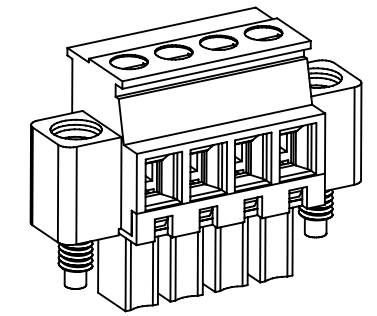
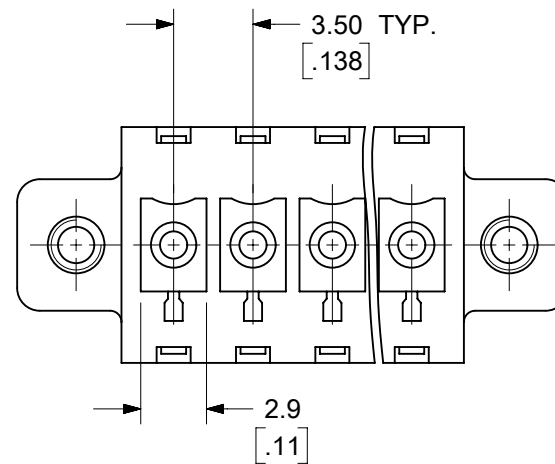


SECTION A-A



4 CIRCUIT SHOWN



SPECIFICATIONS:

1. MATERIAL:

- (1). BODY: NYLON 66 (PA 66)
- (2). SCREW: STEEL
- (3). CAGE (*): BRASS
- (4). TERMINAL: PHOSPHOR BRONZE
- (5). COVER: NYLON 66 (PA 66)
- (6). SCREW: STEEL

2. PRODUCT SPECIFICATION: PS-39500-001

3. WIRE RANGE: 30 - 16 AWG

4. TORQUE: 2 IN-LBS.

5. WIRE STRIP LENGTH: 6.50/.256

6. NUMBER OF CIRCUIT POSITIONS AVAILABLE = 2 THROUGH 20

7. ASSEMBLY IS RoHS COMPLIANT BY EXEMPTION.

COMPONENTS MARKED WITH AN ASTERISK (*) ARE RoHS

COMPLIANT BY EXEMPTION, ALL OTHERS ARE RoHS COMPLIANT.

TOLERANCES			
MM	TOL	INCH	TOL
0-6	±0.25	0-.24	±.010
>6-30	±0.40	>.24-1.18	±.016
>30-120	±0.50	>1.18-4.76	±.020
>120	±0.80	>4.76	±.031

THIS DRAWING CONTAINS INFORMATION THAT IS PROPRIETARY TO MOLEX ELECTRONIC TECHNOLOGIES, LLC AND SHOULD NOT BE USED WITHOUT WRITTEN PERMISSION											
FUNCTIONAL SYMBOLS		DIMENSION UNITS		SCALE		CURRENT REV DESC: MIGRATED TO NX. MODIFIED MOLEX LOGO ORIENTATION					
FA = 0		MM/INCH		3:1							
FE = 0		GENERAL TOLERANCES (UNLESS SPECIFIED)									
FD = 0		MM		INCH							
DIVISIONAL SYMBOLS		4 PLACES		± --- ± ---		EC NO: 769196					
		3 PLACES		± --- ± SEE CHART		DRWN: ABENJAMINLW 2023/11/10					
		2 PLACES		± SEE CHART ± SEE CHART		CHK'D: DACHAMMER 2023/11/16					
		1 PLACE		± SEE CHART ± ---		APPR: JFMURPHY 2023/11/17					
		0 PLACES		± --- ± ---		INITIAL REVISION:					
		ANGULAR TOL		± ---		DRWN: CYORK 2006/03/23					
						APPR: RDEROSS 2006/03/24					
DRAFT WHERE APPLICABLE MUST REMAIN WITHIN DIMENSIONS				THIRD ANGLE PROJECTION		DRAWING		SERIES		MATERIAL NUMBER	
				B-SIZE		39507		SEE SHEET-2		CUSTOMER	
						GENERAL MARKET				SHEET NUMBER	
										1 OF 2	

DESCRIPTION	CIRCUIT SIZE	MATERIAL NUMBERS												DIMENSIONAL INFORMATION							
		BLACK						GREEN													
		100% TIN			30 u" GOLD			100% TIN			30 u" GOLD			DIM. "A"		DIM. "B"		DIM. "C"		DIM. "D"	
		PRINTING OPTIONS			PRINTING OPTIONS			PRINTING OPTIONS			PRINTING OPTIONS			mm	inch	mm	inch	mm	inch	mm	inch
		None	10AV	11AV	None	10AV	11AV	None	10AV	11AV	None	10AV	11AV	mm	inch	mm	inch	mm	inch	mm	inch
3.50MM, EURO PLUG, VERTICAL RWE, MOUNTING ENDS	2	395072002	395072302	395072402	395072502	395072802	395072902	395077002	395077302	395077402	395077502	395077802	395077902	17.3	.68	3.5	.14	12.1	.48	8.1	.32
3.50MM, EURO PLUG, VERTICAL RWE, MOUNTING ENDS	3	395072003	395072303	395072403	395072503	395072803	395072903	395077003	395077303	395077403	395077503	395077803	395077903	20.8	.82	7.0	.28	15.6	.61	11.6	.46
3.50MM, EURO PLUG, VERTICAL RWE, MOUNTING ENDS	4	395072004	395072304	395072404	395072504	395072804	395072904	395077004	395077304	395077404	395077504	395077804	395077904	24.3	.96	10.5	.41	19.1	.75	15.1	.59
3.50MM, EURO PLUG, VERTICAL RWE, MOUNTING ENDS	5	395072005	395072305	395072405	395072505	395072805	395072905	395077005	395077305	395077405	395077505	395077805	395077905	27.8	1.09	14.0	.55	22.6	.89	18.6	.73
3.50MM, EURO PLUG, VERTICAL RWE, MOUNTING ENDS	6	395072006	395072306	395072406	395072506	395072806	395072906	395077006	395077306	395077406	395077506	395077806	395077906	31.3	1.23	17.5	.69	26.1	1.03	22.1	.87
3.50MM, EURO PLUG, VERTICAL RWE, MOUNTING ENDS	7	395072007	395072307	395072407	395072507	395072807	395072907	395077007	395077307	395077407	395077507	395077807	395077907	34.8	1.37	21.0	.83	29.6	1.17	25.6	1.01
3.50MM, EURO PLUG, VERTICAL RWE, MOUNTING ENDS	8	395072008	395072308	395072408	395072508	395072808	395072908	395077008	395077308	395077408	395077508	395077808	395077908	38.3	1.51	24.5	.97	33.1	1.30	29.1	1.15
3.50MM, EURO PLUG, VERTICAL RWE, MOUNTING ENDS	9	395072009	395072309	395072409	395072509	395072809	395072909	395077009	395077309	395077409	395077509	395077809	395077909	41.8	1.65	28.0	1.10	36.6	1.44	32.6	1.28
3.50MM, EURO PLUG, VERTICAL RWE, MOUNTING ENDS	10	395072010	395072310	395072410	395072510	395072810	395072910	395077010	395077310	395077410	395077510	395077810	395077910	45.3	1.78	31.5	1.24	40.1	1.58	36.1	1.42
3.50MM, EURO PLUG, VERTICAL RWE, MOUNTING ENDS	11	395072011	395072311	395072411	395072511	395072811	395072911	395077011	395077311	395077411	395077511	395077811	395077911	48.8	1.92	35.0	1.38	43.6	1.72	39.6	1.56
3.50MM, EURO PLUG, VERTICAL RWE, MOUNTING ENDS	12	395072012	395072312	395072412	395072512	395072812	395072912	395077012	395077312	395077412	395077512	395077812	395077912	52.3	2.06	38.5	1.52	47.1	1.85	43.1	1.70
3.50MM, EURO PLUG, VERTICAL RWE, MOUNTING ENDS	13	395072013	395072313	395072413	395072513	395072813	395072913	395077013	395077313	395077413	395077513	395077813	395077913	55.8	2.20	42.0	1.65	50.6	1.99	46.6	1.84
3.50MM, EURO PLUG, VERTICAL RWE, MOUNTING ENDS	14	395072014	395072314	395072414	395072514	395072814	395072914	395077014	395077314	395077414	395077514	395077814	395077914	59.3	2.34	45.5	1.79	54.1	2.13	50.1	1.97
3.50MM, EURO PLUG, VERTICAL RWE, MOUNTING ENDS	15	395072015	395072315	395072415	395072515	395072815	395072915	395077015	395077315	395077415	395077515	395077815	395077915	62.8	2.47	49.0	1.93	57.6	2.27	53.6	2.11
3.50MM, EURO PLUG, VERTICAL RWE, MOUNTING ENDS	16	395072016	395072316	395072416	395072516	395072816	395072916	395077016	395077316	395077416	395077516	395077816	395077916	66.3	2.61	52.5	2.07	61.1	2.41	57.1	2.25
3.50MM, EURO PLUG, VERTICAL RWE, MOUNTING ENDS	17	395072017	395072317	395072417	395072517	395072817	395072917	395077017	395077317	395077417	395077517	395077817	395077917	69.8	2.75	56.0	2.21	64.6	2.54	60.6	2.39
3.50MM, EURO PLUG, VERTICAL RWE, MOUNTING ENDS	18	395072018	395072318	395072418	395072518	395072818	395072918	395077018	395077318	395077418	395077518	395077818	395077918	73.3	2.89	59.5	2.34	68.1	2.68	64.1	2.52
3.50MM, EURO PLUG, VERTICAL RWE, MOUNTING ENDS	19	395072019	395072319	395072419	395072519	395072819	395072919	395077019	395077319	395077419	395077519	395077819	395077919	76.8	3.02	63.0	2.48	71.6	2.82	67.6	2.66
3.50MM, EURO PLUG, VERTICAL RWE, MOUNTING ENDS	20	395072020	395072320	395072420	395072520	395072820	395072920	395077020	395077320	395077420	395077520	395077820	395077920	80.3	3.16	66.5	2.62	75.1	2.96	71.1	2.80

FUNCTIONAL SYMBOLS		THIS DRAWING CONTAINS INFORMATION THAT IS PROPRIETARY TO MOLEX ELECTRONIC TECHNOLOGIES, LLC AND SHOULD NOT BE USED WITHOUT WRITTEN PERMISSION	
FA = 0	MM/INCH	SCALE 1:1	CURRENT REV DESC: MIGRATED TO NX. MODIFIED MOLEX LOGO ORIENTATION
FB = 0	GENERAL TOLERANCES (UNLESS SPECIFIED)		EC NO: 769196 DRWN: ABENJAMINLW 2023/11/10 CHK'D: DACHAMMER 2023/11/16 APPR: JFMURPHY 2023/11/17 INITIAL REVISION: DRWN: CYORK 2006/03/23 APPR: RDEROSS 2006/03/24
FC = 0	MM	INCH	
	4 PLACES ± --- ± ---	SEE CHART	
	3 PLACES ± --- ± ---	SEE CHART	
	2 PLACES ± --- ± ---	SEE CHART	
	1 PLACE ± --- ± ---	SEE CHART	
	0 PLACES ± --- ± ---	SEE CHART	
	ANGULAR TOL ± ---		
DIVISIONAL SYMBOLS		THIRD ANGLE PROJECTION	DRAWING SERIES
DRAFT WHERE APPLICABLE MUST REMAIN WITHIN DIMENSIONS		B-SIZE	39507
DOCUMENT STATUS		RELEASE DATE	2023/11/17 21:12:27
P1		2023/11/17	21:12:27

TOLERANCES			
MM	TOL	INCH	TOL
0-6	±0.25	0-.24	±.010
>6-30	±0.40	>.24-1.18	±.016
>30-120	±0.50	>1.18-4.76	±.020
>120	±0.80	>4.76	±.031

molex			
3.50MM, EURO PLUG, VERTICAL, REAR WIRE ENTRY, MOUNTING ENDS			
PRODUCT CUSTOMER DRAWING			
DOCUMENT NUMBER		DOC TYPE	DOC PART
SD-39507-002		PSD	001
MATERIAL NUMBER		CUSTOMER	SHEET NUMBER
SEE CHART		GENERAL MARKET	2 OF 2

Circuit size	Material Numbers												Dimensional Information							
	Black						Green													
	100% Tin			30 u" Gold			100% Tin			30 u" Gold			Dim A		Dim B		Dim C		Dim D	
	Printing Options			Printing Options			Printing Options			Printing Options			mm	inch	mm	inch	mm	inch	mm	inch
	None	10AV	11AV	None	10AV	11AV	None	10AV	11AV	None	10AV	11AV	None	10AV	11AV	mm	inch	mm	inch	mm
2	395072002	395072302	395072402	395072502	395072802	395072902	395077002	395077302	395077402	395077502	395077802	395077902	17.3	.68	3.5	.14	12.1	.48	8.1	.32
3	395072003	395072303	395072403	395072503	395072803	395072903	395077003	395077303	395077403	395077503	395077803	395077903	20.8	.82	7.0	.28	15.6	.61	11.6	.46
4	395072004	395072304	395072404	395072504	395072804	395072904	395077004	395077304	395077404	395077504	395077804	395077904	21.3	.84	10.5	.41	19.1	.76	16.1	.59
5	395072005	395072305	395072405	395072505	395072805	395072905	395077005	395077305	395077405	395077505	395077805	395077905	27.8	1.09	14.0	.55	22.6	.89	18.6	.73
6	395072006	395072306	395072406	395072506	395072806	395072906	395077006	395077306	395077406	395077506	395077806	395077906	31.3	1.23	17.5	.69	26.1	1.03	22.1	.87
7	395072007	395072307	395072407	395072507	395072807	395072907	395077007	395077307	395077407	395077507	395077807	395077907	34.8	1.37	21.0	.83	29.6	1.17	25.6	1.01
8	395072008	395072308	395072408	395072508	395072808	395072908	395077008	395077308	395077408	395077508	395077808	395077908	38.3	1.51	24.5	.97	33.1	1.30	29.1	1.15
9	395072009	395072309	395072409	395072509	395072809	395072909	395077009	395077309	395077409	395077509	395077809	395077909	41.8	1.65	28.0	1.10	36.6	1.41	32.6	1.28
10	395072010	395072310	395072410	395072510	395072810	395072910	395077010	395077310	395077410	395077510	395077810	395077910	45.3	1.78	31.5	1.24	40.1	1.58	36.1	1.42
11	395072011	395072311	395072411	395072511	395072811	395072911	395077011	395077311	395077411	395077511	395077811	395077911	48.8	1.92	35.0	1.38	43.6	1.72	39.6	1.56
12	395072012	395072312	395072412	395072512	395072812	395072912	395077012	395077312	395077412	395077512	395077812	395077912	52.3	2.06	38.5	1.52	47.1	1.95	43.1	1.70
13	395072013	395072313	395072413	395072513	395072813	395072913	395077013	395077313	395077413	395077513	395077813	395077913	55.8	2.20	42.0	1.65	50.6	1.99	46.6	1.83
14	395072014	395072314	395072414	395072514	395072814	395072914	395077014	395077314	395077414	395077514	395077814	395077914	59.3	2.34	45.5	1.79	54.1	2.13	50.1	1.97
15	395072015	395072315	395072415	395072515	395072815	395072915	395077015	395077315	395077415	395077515	395077815	395077915	62.8	2.47	49.0	1.93	57.6	2.27	53.6	2.11
16	395072016	395072316	395072416	395072516	395072816	395072916	395077016	395077316	395077416	395077516	395077816	395077916	66.3	2.61	52.5	2.07	61.1	2.41	57.1	2.25
17	395072017	395072317	395072417	395072517	395072817	395072917	395077017	395077317	395077417	395077517	395077817	395077917	69.8	2.75	56.0	2.21	64.6	2.54	60.6	2.39
18	395072018	395072318	395072418	395072518	395072818	395072918	395077018	395077318	395077418	395077518	395077818	395077918	73.3	2.89	59.5	2.34	68.1	2.68	64.1	2.52
19	395072019	395072319	395072419	395072519	395072819	395072919	395077019	395077319	395077419	395077519	395077819	395077919	76.8	3.02	63.0	2.48	71.6	2.82	67.6	2.66
20	395072020	395072320	395072420	395072520	395072820	395072920	395077020	395077320	395077420	395077520	395077820	395077920	80.3	3.16	66.5	2.62	75.1	2.96	71.1	2.80

TOLERANCES			
MM	TOL	INCH	TOL
0-6	±0.25	0-.24	±.010
>6-30	±0.40	.24-1.18	±.016
>30-120	±0.50	1.18-4.76	±.020
>120	±0.80	>4.76	±.031

REVISED DOC TOL EC NO: PG2017-0861 DRAWN: ANAGATH 2017/03/23 CHKD: APPR: BRUPERT 2017/04/18 REV	QUALITY SYMBOLS ▽=0 ▽=0	GENERAL TOLERANCES (UNLESS SPECIFIED) mm INCH 4 PLACES ± --- ± --- 3 PLACES ± --- ± --- 2 PLACES ± --- ± --- 1 PLACE ± --- ± --- ANGULAR ± ---°	DIMENSION STYLE MM/IN DRAWN BY DATE EHILE 2006/03/20 CHECKED BY DATE EHILE 2006/03/20 APPROVED BY DATE RDEROSS 2006/03/20	SCALE DESIGN UNITS INCH THIRD ANGLE PROJECTION	TITLE 3.50MM, EURO PLUG, VERTICAL, REAR WIRE ENTRY, MOUNTING ENDS MOLEX INCORPORATED	MATERIAL NO. SEE CHART DOCUMENT NO. SD-39507-002 SHEET NO. 2 OF 2
	DRAFT WHERE APPLICABLE MUST REMAIN WITHIN DIMENSIONS		THIS DRAWING CONTAINS INFORMATION THAT IS PROPRIETARY TO MOLEX INCORPORATED AND SHOULD NOT BE USED WITHOUT WRITTEN PERMISSION			