

DTM15-12PC ✓ ACTIVE

DEUTSCH | DEUTSCH DT, DEUTSCH DTM

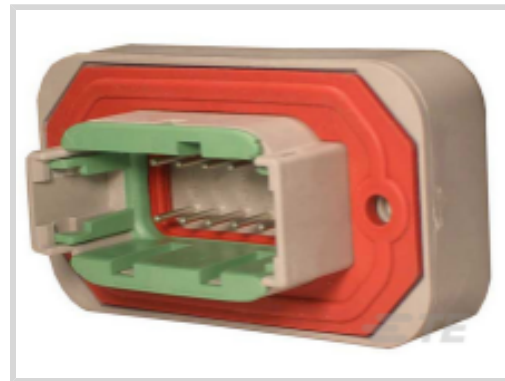
TE Internal #: DTM15-12PC

PCB Mount Header, Vertical, Wire-to-Board, 12 Position, 4.19 mm [.165 in] Centerline, Fully Shrouded, Nickel, Through Hole - Solder, Sealable, Hybrid

[View on TE.com >](#)



Connectors > PCB Connectors > PCB Headers & Receptacles > DEUTSCH DTM Headers



Connector System: **Wire-to-Board**

Number of Positions: **12**

Centerline (Pitch): **4.19 mm [.165 in]**

Sealable: **Yes**

PCB Mount Orientation: **Vertical**

[All DEUTSCH DTM Headers \(32\)](#)

Features

Product Type Features

| | |
|-----------------------------------|------------------|
| Mixed & Hybrid Header | No |
| Connector Shape | Rectangular |
| PCB Connector Assembly Type | PCB Mount Header |
| Header Type | Fully Shrouded |
| Connector System | Wire-to-Board |
| Sealable | Yes |
| Connector & Contact Terminates To | Wire & Cable |

Configuration Features

| | |
|----------------------------|----------|
| Number of Sections | 1 |
| Number of Signal Positions | 12 |
| Number of Positions | 12 |
| PCB Mount Orientation | Vertical |
| Number of Rows | 2 |

Electrical Characteristics

| | |
|------------------------------|------------|
| Voltage Rating (Max) | 250 VAC |
| Nominal Voltage Architecture | 12 V, 24 V |



| | |
|-------------------|---------|
| Operating Voltage | 250 VAC |
|-------------------|---------|

Body Features

| | |
|-------------------------|------|
| Primary Product Color | Gray |
| Connector & Keying Code | C |

Contact Features

| | |
|--------------------------------------|-----------------|
| Contact Size | Size 20 |
| Contact Type | Pin |
| Mating Pin Diameter | 1.02 mm[.04 in] |
| Contact Mating Area Plating Material | Nickel |
| Contact Current Rating (Max) | 7.5 A |

Termination Features

| | |
|---|-----------------------|
| Termination Method to Printed Circuit Board | Through Hole - Solder |
|---|-----------------------|

Mechanical Attachment

| | |
|--------------------------|-------------------|
| Mounting Holes | With |
| Mating Alignment Type | Keyed |
| Mating Retention | With |
| Mating Alignment | With |
| PCB Mount Alignment | Without |
| Panel Mount Feature | With |
| PCB Mount Retention | With |
| PCB Mount Retention Type | Mounting Screw |
| Mating Retention Type | Locking Interface |
| Connector Mounting Type | Board Mount |

Housing Features

| | |
|--------------------|------------------|
| Centerline (Pitch) | 4.19 mm[.165 in] |
|--------------------|------------------|

Dimensions

| | |
|-----------------------------|-------------------------------|
| Connector Length | 30.23 mm[1.19 in] |
| | 2.4 in |
| PCB Thickness (Recommended) | .78 – 2.36 mm[.031 – .093 in] |
| Profile Height from PCB | 30.23 mm[1.195 in] |

Usage Conditions

| | |
|-----------------------------|----------------|
| Operating Temperature (Max) | 125 °C[257 °F] |
|-----------------------------|----------------|



| | |
|-----------------------------|----------------------------|
| Operating Temperature Range | -55 – 125 °C[-67 – 257 °F] |
|-----------------------------|----------------------------|

Operation/Application

| | |
|---------------------|--------|
| Shielded | No |
| Circuit Application | Signal |

Industry Standards

| | |
|------------------------|------------|
| Degree of Protection | Not Tested |
| UL Rating | Recognized |
| UL Flammability Rating | UL 94V-0 |

Packaging Features

| | |
|--------------------|-----|
| Packaging Quantity | 125 |
| Packaging Method | Box |

Other

| | |
|------------------|-----------|
| Interface Number | DTM04-12P |
|------------------|-----------|

Product Compliance

[For compliance documentation, visit the product page on TE.com>](#)

| | |
|---|---|
| EU RoHS Directive 2011/65/EU | Compliant |
| EU ELV Directive 2000/53/EC | Compliant |
| China RoHS 2 Directive MIIT Order No 32, 2016 | No Restricted Materials Above Threshold |
| EU REACH Regulation (EC) No. 1907/2006 | Current ECHA Candidate List: JAN 2024 (240) Candidate List Declared Against: JAN 2023 (233) Does not contain REACH SVHC |
| Halogen Content | Not Low Halogen - contains Br or Cl > 900 ppm. |
| Solder Process Capability | Not reviewed for solder process capability |

Product Compliance Disclaimer

This information is provided based on reasonable inquiry of our suppliers and represents our current actual knowledge based on the information they provided. This information is subject to change. The part numbers that TE has identified as EU RoHS compliant have a maximum concentration of 0.1% by weight in homogenous materials for lead, hexavalent chromium, mercury, PBB, PBDE, DBP, BBP, DEHP, DIBP, and 0.01% for cadmium, or qualify for an exemption to these limits as defined in the Annexes of Directive 2011/65/EU (RoHS2). Finished electrical and electronic equipment products will be CE marked as required by Directive 2011/65/EU. Components may not be CE marked. Additionally, the part numbers that TE has identified as EU ELV compliant have a maximum concentration of 0.1% by weight in homogenous materials for lead, hexavalent chromium, and mercury, and 0.01% for cadmium, or qualify for an exemption to these limits as defined in the Annexes of Directive 2000/53/EC (ELV). Regarding the REACH Regulation, the information TE provides

on SVHC in articles for this part number is based on the latest European Chemicals Agency (ECHA) 'Guidance on requirements for substances in articles' posted at this URL: <https://echa.europa.eu/guidance-documents/guidance-on-reach>

Compatible Parts

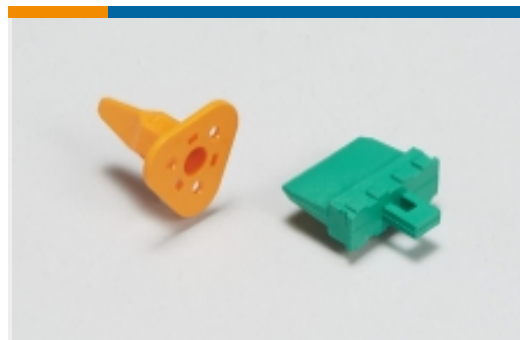


TE Part # CAT-D485-CH8172
DEUTSCH DTM Housings

Also in the Series | DEUTSCH DT



Automotive Connector Caps & Covers (19)



Automotive Connector Locks & Position Assurance(74)



Automotive Housings(658)



Connector Backshells(60)



Connector Seals & Cavity Plugs(6)



Connector Strain Relief(28)



Insertion & Extraction Tools(3)



Other Automotive Connector Accessories(27)



PCB Headers & Receptacles(103)

Also in the Series | DEUTSCH DTM



Automotive Connector Caps & Covers (7)



Automotive Connector Locks & Position Assurance(17)



Automotive Housings(100)



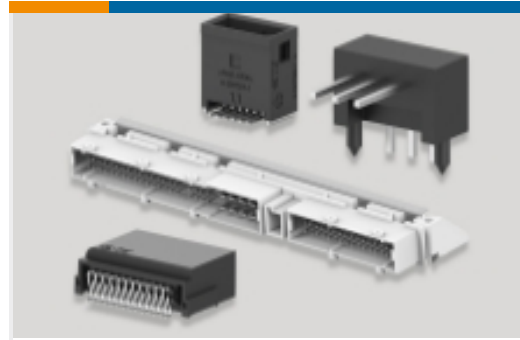
Connector Backshells(6)



Connector Strain Relief(28)



Insertion & Extraction Tools(2)

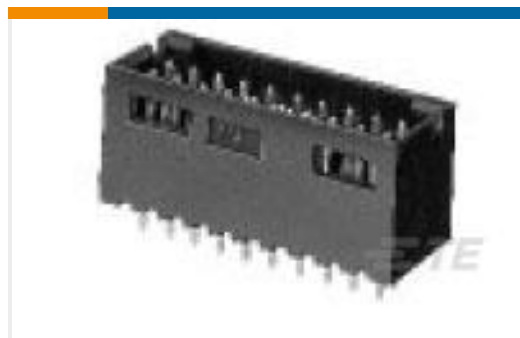


PCB Headers & Receptacles(36)

Customers Also Bought



TE Part #DTF15-12PA
HDR, 12P, GRY, ST, SN/NI/CU, A



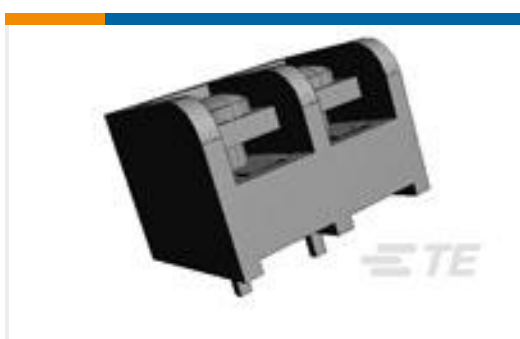
TE Part #5-103168-4
12 MODII HDR DRST SHRD .100CL



TE Part #3-794618-2
02P MICRO MNL ASSY R/A HDR LF



TE Part #5-1879214-9
CPF 0402 1K43 0.1% 25PPM 1K RL



TE Part #5-1437648-7
4PCV-02-006=4PCV ASSEMBLY



TE Part #5748271-1
FEMALE SCREWLOCK KIT



TE Part #5767054-2
MICT,RECPT,76,ASSY,PDNI



TE Part #DTM15-12PA
HDR, 12P, GRY, ST, NI/CU, A



TE Part #6609017-9
6EC1=F7284 S0

Documents



Product Drawings

[HDR, 12P, GRY, ST, NI/CU, C](#)

English

CAD Files

Customer View Model

[ENG_CVM_CVM_DTM15-12PC_99.2d_dxf.zip](#)

English

[3D PDF](#)

3D

Customer View Model

[ENG_CVM_CVM_DTM15-12PC_99.3d_igs.zip](#)

English

Customer View Model

[ENG_CVM_CVM_DTM15-12PC_99.3d_stp.zip](#)

English

By downloading the CAD file I accept and agree to the [Terms and Conditions](#) of use.

Datasheets & Catalog Pages

[ICT Terminals and Connectors Catalogue](#)

English

[CONNECTOR SELECTOR](#)

English

Product Specifications

[Application Specification](#)

English

Agency Approvals

[UL Report](#)

English