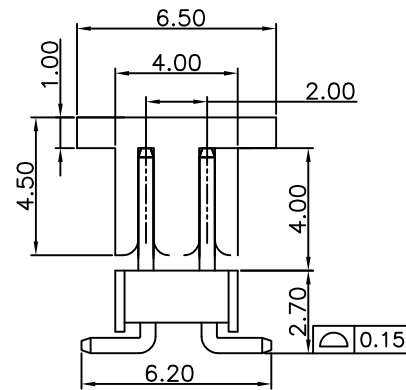
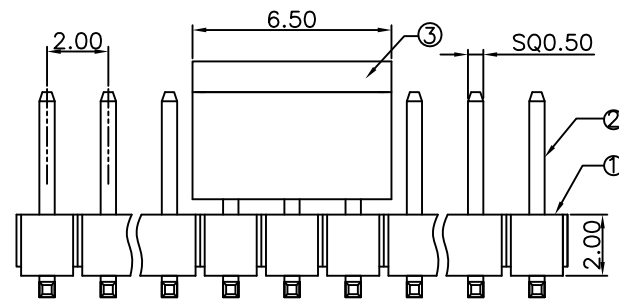
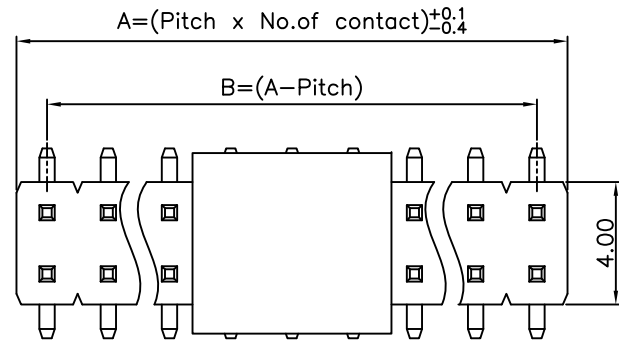
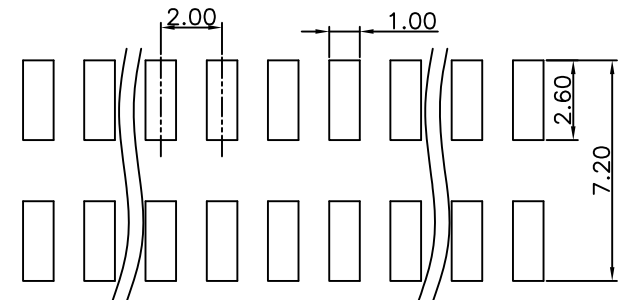


REV.	DESCRIPTION	DATE
A	New Drawing	2021/02/24

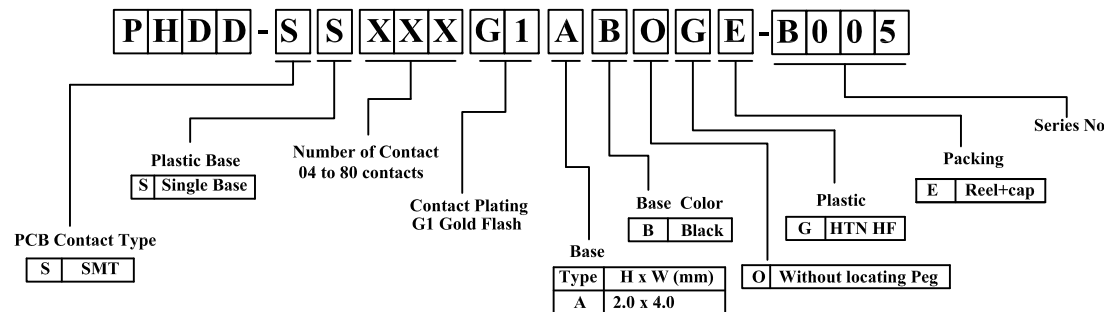


LTR	Part Name	Material	Description	QTY
1	Housing	HTN HF UL94V-0	260°C for 10 Seconds . Initial : 1000M Ohms Min. After Test : 500M Ohms Min.	1
2	Contact	Brass	Current Rating : 2.0A Initial : 20m Ohms Max. After Test : 40m Ohms Max.	XX
3	CAP	HTN HF UL94V-0	260°C for 10 Seconds .	1

Temperature Rating : -40°C ~ +125°C .  
Dielectric Withstanding Voltage : 500V AC/Min



**P.C.B LAYOUT**



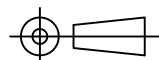
**L=8.25mm**

RoHS compliant

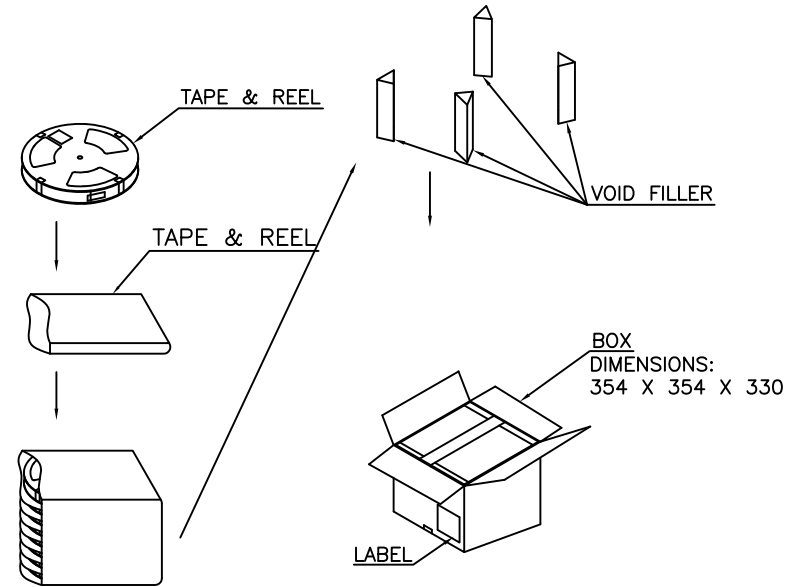
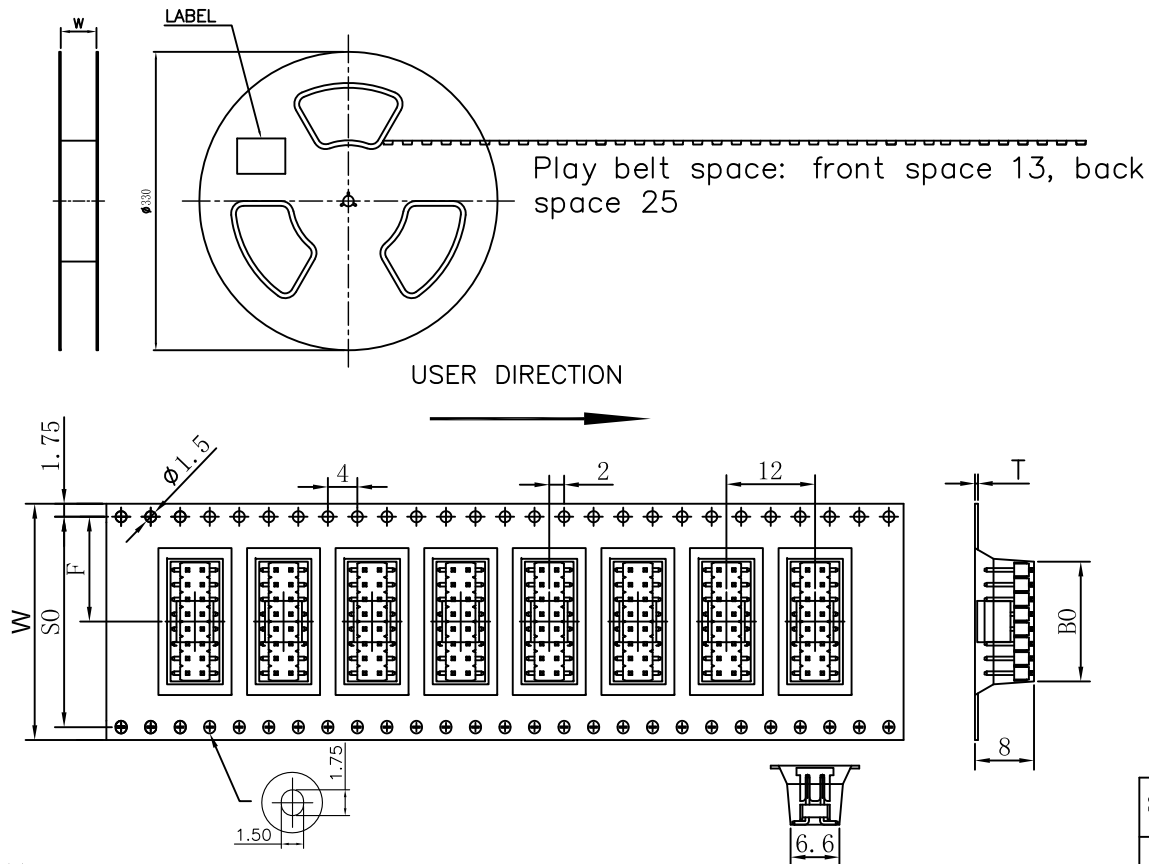
**Superior Tech Co., Ltd.**

General Tolerance		TITLE	2.0 x 2.0mm Pin Header ,SMT Dual Row	
X.	± 0.5	DRAWN Tom	DATE	NO.
.X	± 0.3		02-23-21"	002
.XX	± 0.2	CHECK	DATE	PART NO.
.XXX	± 0.1	APPROVED	DATE	PHDD-SSXXXG1ABOGE-B005
Angle	± 5°		DATE	CUSTOMER NO.
				DK

REV.	UNIT	SCALE
A	mm	1:1



REV.	DESCRIPTION	DATE
A	New Drawing	2022/05/26



- (1) 10 sprocket hole pitch cumulative tolerance  $\pm 0.20$ .
- (2) Carrier camber is within 1 mm in 250mm.
- (3) All dimensions meet EIA-481-C requirements.
- (4) Material: Transparent PS Thickness:  $0.40 \pm 0.05$  (JG-TR-400)
- (5) Reel: 13" \* 4", Carrier Length: 8.352 M/R.
- (6) Package quantity: 650. PCS.
- (7) Not Dimension angle is  $3^\circ$ .

Specifications	W	B0	F	S0	T	Quantity per volume	Quantity per box
2*2Pin	24.00 $\pm 0.30$	4.2 $\pm 0.18$	11.5 $\pm 0.18$		0.40 $\pm 0.05$	650Pcs / 1 volume	6500 Pcs / box
2*3Pin		6.2 $\pm 0.18$					
2*4Pin		8.2 $\pm 0.18$					
2*5Pin		10.2 $\pm 0.18$					
2*6Pin	32.00 $\pm 0.30$	12.2 $\pm 0.18$		28.40 $\pm 0.05$			5200 Pcs / box
2*7Pin	14.2 $\pm 0.18$						
2*8Pin	16.2 $\pm 0.18$						

**Superior Tech Co., Ltd.**

General Tolerance		TITLE	PHDD-SSXXXG1ABONE-B005_Packing	
X. $\pm 0.5$		DRAWN	Tom	DATE 2022/05/26
.X $\pm 0.3$		CHECK		NO.
.XX $\pm 0.2$		APPROVED		PART NO.
.XXX $\pm 0.1$		DATE		PHDD-SSXXXG1ABONE-B005
Angle	$\pm 5^\circ$			CUSTOMER NO.
				DK

REV.	UNIT	SCALE
A	mm	1:1

