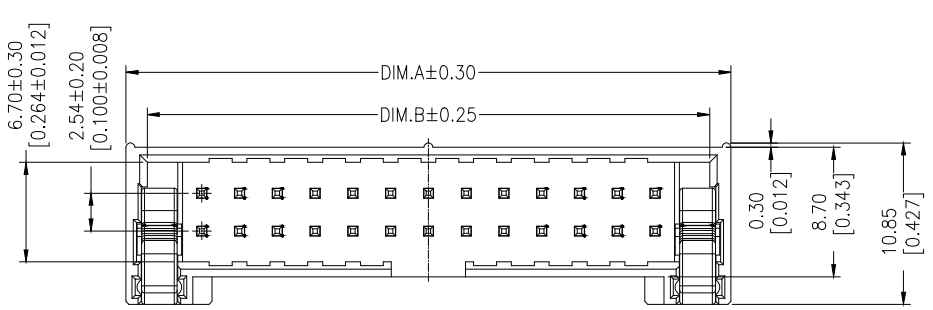
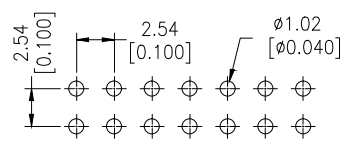


A
B
C
D
E
F
G
H

A
B
C
D
E
F
G
H



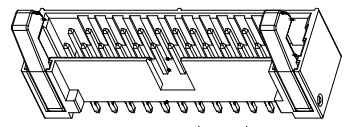
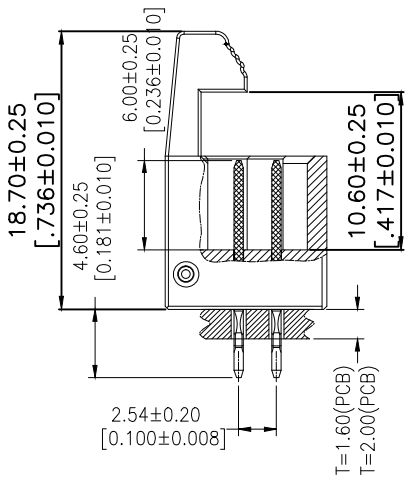
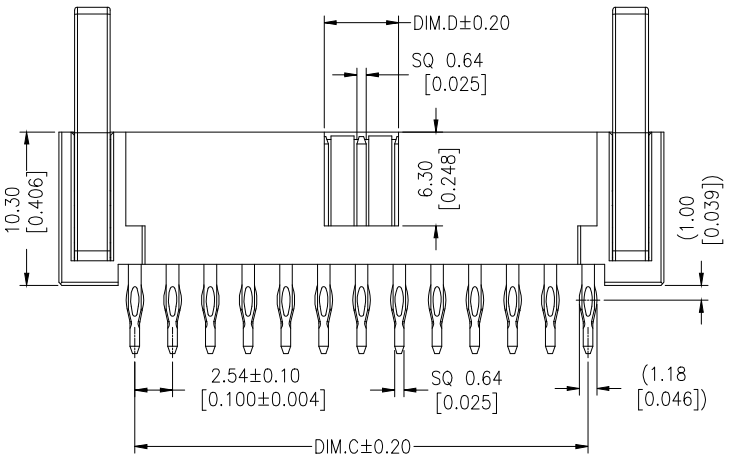
Recommended P. C. B Layout (Top Side)
(PCB BOARD TOLERANCE ± 0.05 T=1.6/2.0)



NOTES:
 Current Rating: 3AMP
 Contact Resistance: 20mΩ Max.
 Withstand Voltage: 500V AC/DC
 Insulation Resistance: 1000MΩ Min.
 Operation Temperature: -40°C to +105°C

Housing Material: PBT+30%GF, UL94V-0
 Latch Material: PA9T+30%GF, UL94V-0
 Contact Material: Brass
 Contact Plating: Gold Flash
 Fixed Axle Material: Brass
 Fixed Axle plating: Ni Plated

Packaging: AHW-254-xx-PT5 Tube
 AHW-254-xx-PP5 Tray ①



3D_VIEW(REF.)
 SCALE 1:2

No. Of POSITION	DIM.A	DIM.B	DIM.C	DIM.D
10	20.36	17.50	10.16	5.00
14	25.44	22.58	15.24	5.00
16	27.98	25.12	17.78	5.00
20	33.06	30.20	22.86	5.00
24	38.14	35.28	27.94	5.00
26	40.68	37.82	30.48	5.00
30	45.76	42.90	35.56	5.00
34	50.84	47.98	40.64	5.00
40	58.46	55.60	48.26	5.00
50	71.16	68.30	60.96	5.00
60	83.86	81.00	73.66	5.00
64	88.94	86.08	78.74	5.00

RoHS compliant

Unit:mm

Scale	1:1					Date	Name	Customer-No.		
TOLERANCE						Drawn	22.09.2015	Ray		
.X	±0.40					Approved	22.09.2015	Ray		
.XX	±0.25							ASSMANN WSW-No. AWHW-254-xx-Px5		
.XXX	±0.15							Drawing-No.		
DIM	TOL	①	Add part "AWHW-254-xx-PP5 "	06.06.2019	Xavier					
Angle	±5°	②	Drawn	22.09.2015	Ray				ASS 6997 CO	rev01
		Id.	Modification	Date	Name				Replace	Sheet 1/1