

1

2

3

4

5

6

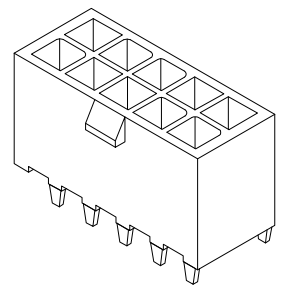
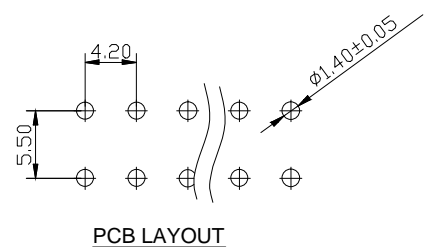
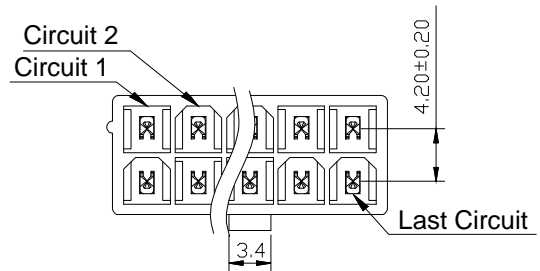
7

A

A

Notes:
 Insulator Material: Nylon 66 UL94V-0;
 Pin Material: Brass Tin Plated;
 Voltage Rating: 600V AC,DC;
 Current Rating: 7A AC,DC;
 Withstanding Voltage: 1500V AC/minute;
 Insulation Resistance: 1000MΩ Min;
 Contact Resistance: 20mΩ Max;
 Operation Temperature: -25°C to +85°C;
 Packing: Tray.

Order code
 ② A-WBP-S001DG-xxTPxx
 No. of contacts ——— Insulator color:
 01:Black
 02:Natural

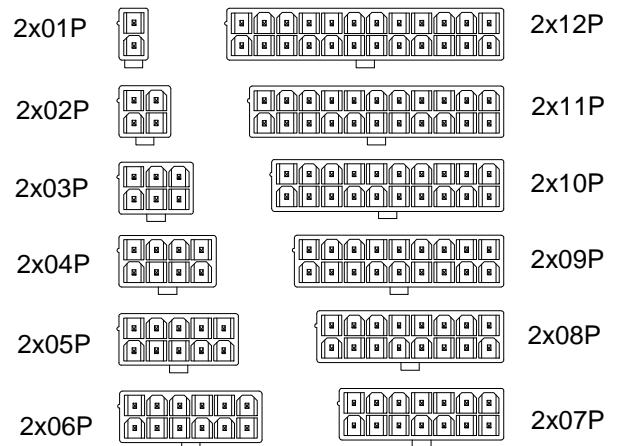
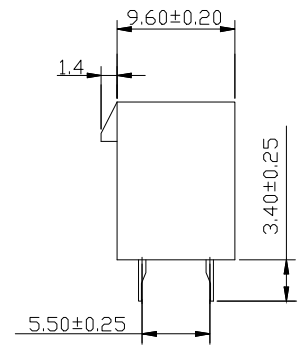
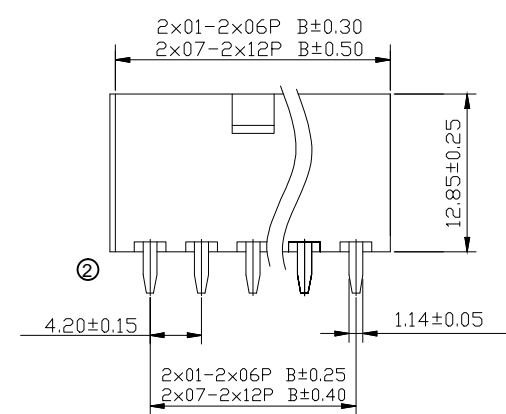


B

B

C

C



No. of Contact	DIM A	DIM B
2	NA	5.60
4	4.20	9.80
6	8.40	14.00
8	12.60	18.20
10	16.80	22.40
12	21.00	26.60
14	25.20	30.80
16	29.40	35.00
18	33.60	39.20
20	37.80	43.40
22	42.00	47.60
24	46.20	51.80

D

D

E

E

F

F

CIRCUIT SIZE LAYOUT

G

G

RoHS compliant

Unit:mm



④ File No.: E198287

Scale	Free						Date	Name
TOLERANCE		④	Add UL E-No. on page 1	03.14.2023	Peter	Drawn	29.01.2021	Segal
X.	±0.35	③	Added the page 8	02.21.2023	Peter	Approved	03.14.2023	Peter
X.X	±0.25	②	Update pin design and add the P/N	06.05.2022	Daniel			
X.XX	±0.20	①	Update the P/N	18.01.2022	Daniel			
X.XXX	±0.15	①	Update the P/N	18.01.2022	Daniel			
DIM	TOL	①	Drawn	29.01.2021	Segal			
Angle	TOL	Id.	Modification	Date	Name			

Description: Wire-to-board con.
 male
 Pitch 4.2mm / Straight

ASSMANN WSW-No.
A-WBP-S001DG-xxTPxx

Drawing-No.
ASS 8836 CO rev04

Customer-No. SHEET 1 / 8

H

H

1

2

3

4

5

6

7

1

2

3

4

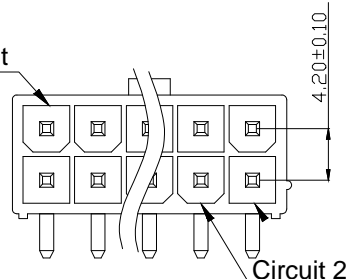
5

6

7

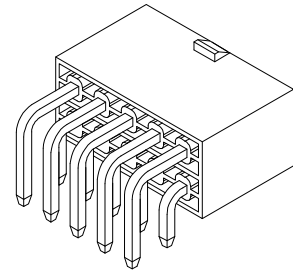
A

Last Circuit



Circuit 2

Circuit 1



Notes:

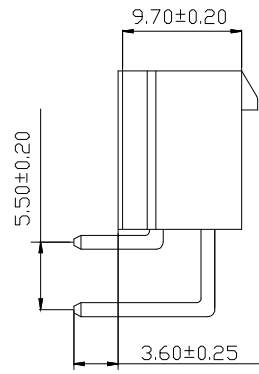
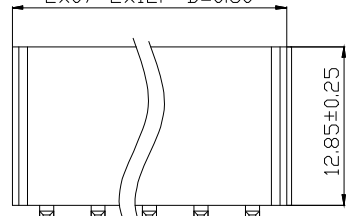
- Insulator Material: Nylon 66 UL94V-2;
- Pin Material: Brass Tin Plated;
- Voltage Rating: 600V AC,DC;
- Current Rating: 7A AC,DC;
- Withstanding Voltage: 1500V AC/minute;
- Insulation Resistance: 1000MΩ Min;
- Contact Resistance: 20mΩ Max;
- Operation Temperature: -25°C to +85°C;
- Packing: Tray.
- Order code
- ② A-WBP-S001DA-xxTPxx

No. of contacts ——— Insulator color:
 01:Black
 02:Natural

B

C

2x01-2x06P B±0.30
 2x07-2x12P B±0.50

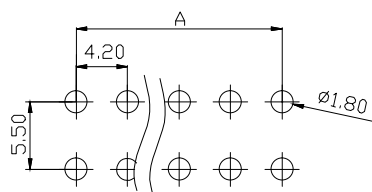


D

4.20±0.10

1.14±0.05

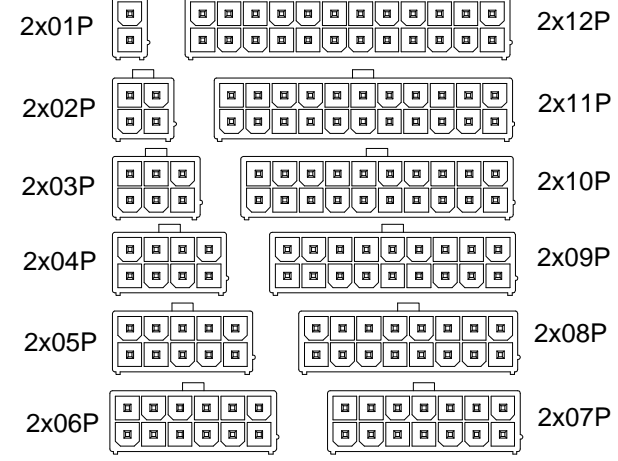
2x01-2x06P B±0.25
 2x07-2x12P B±0.40



PCB LAYOUT

E

F



CIRCUIT SIZE LAYOUT

No. of Contact	DIM A	DIM B
2	NA	5.60
4	4.20	9.80
6	8.40	14.00
8	12.60	18.20
10	16.80	22.40
12	21.00	26.60
14	25.20	30.80
16	29.40	35.00
18	33.60	39.20
20	37.80	43.40
22	42.00	47.60
24	46.20	51.80

G

RoHS compliant

Unit:mm

Scale	Free					Date	Name
TOLERANCE		④	Add UL E-No. on page 1	03.14.2023	Peter	Drawn	Segal
X.	±0.35	③	Added the page 8	02.21.2023	Peter	Approved	Peter
X.X	±0.25	②	Update pin design and add the P/N	06.05.2022	Daniel		
X.XX	±0.20	①	Update the P/N	18.01.2022	Daniel		
X.XXX	±0.15	①	Update the P/N	18.01.2022	Daniel		
DIM	TOL	①	Drawn	29.01.2021	Segal		
Angle	TOL	Id.	Modification	Date	Name		

Description: Wire-to-board con.
 male
 Pitch 4.2mm / Angled

ASSMANN WSW-No.
A-WBP-S001DA-xxTPxx

Drawing-No.
ASS 8836 CO rev04

Customer-No. SHEET
 2 / 8

H

1

2

3

4

5

6

7

A

B

C

D

E

F

G

H

1

2

3

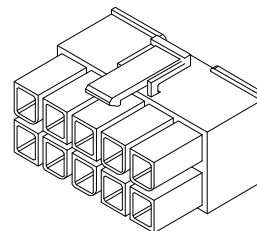
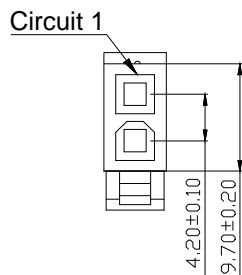
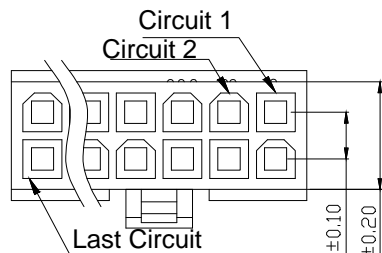
4

5

6

7

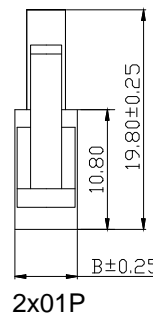
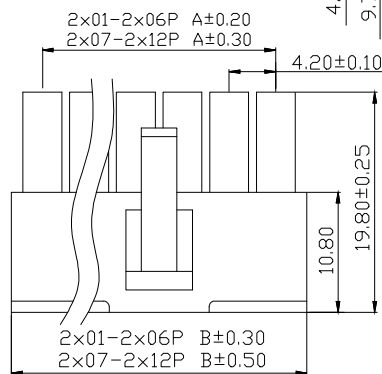
A



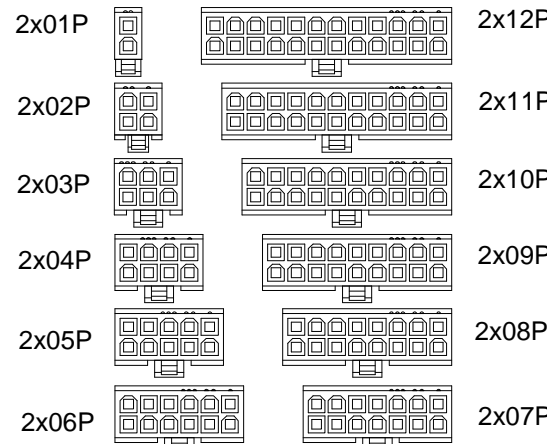
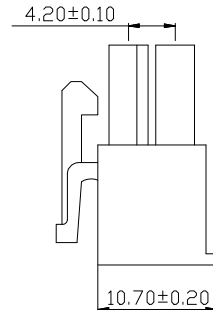
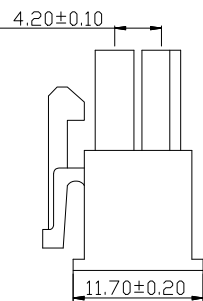
Notes:
 Insulator Material: Nylon 66 UL94V-2;
 Voltage Rating: 600V AC,DC;
 Current Rating: 7A AC,DC;
 Withstanding Voltage: 1500V AC/minute;
 Insulation Resistance: 1000MΩ Min;
 Contact Resistance: 20mΩ Max;
 Operation Temperature: -25°C to +85°C;
 Packing: PE bag.
 Order code
 ② A-WBH-S001DG-xxCBxx
 No. of contacts — Insulator color:
 01:Black
 02:Natural

A

B



C



CIRCUIT SIZE LAYOUT

No. of Contact	DIM A	DIM B
2	NA	5.60
4	4.20	9.80
6	8.40	14.00
8	12.60	18.20
10	16.80	22.40
12	21.00	26.60
14	25.20	30.80
16	29.40	35.00
18	33.60	39.20
20	37.80	43.40
22	42.00	47.60
24	46.20	51.80

B

D

E

F

C

D

E

F

RoHS compliant

Unit:mm

Scale Free

TOLERANCE

X. ±0.35

X.X ±0.25

X.XX ±0.20

X.XXX ±0.15

DIM TOL

Angle TOL

④ Add UL E-No. on page 1

03.14.2023

Peter

Drawn

Date

Name

Description: Wire-to-board con. Housing Pitch 4.2mm / Straight

③ Added the page 8

02.21.2023

Peter

Approved

03.14.2023

Peter

ASSMANN WSW-No.

A-WBH-S001DG-xxCBxx

② Update pin design and add the P/N

06.05.2022

Daniel

① Update the P/N

18.01.2022

Daniel

① Drawn

29.01.2021

Segal



Drawing-No.

ASS 8836 CO

rev04

Customer-No.

SHEET 3 / 8

G

H

H

1

2

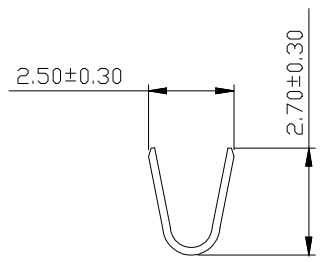
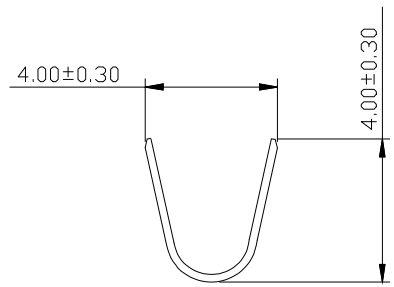
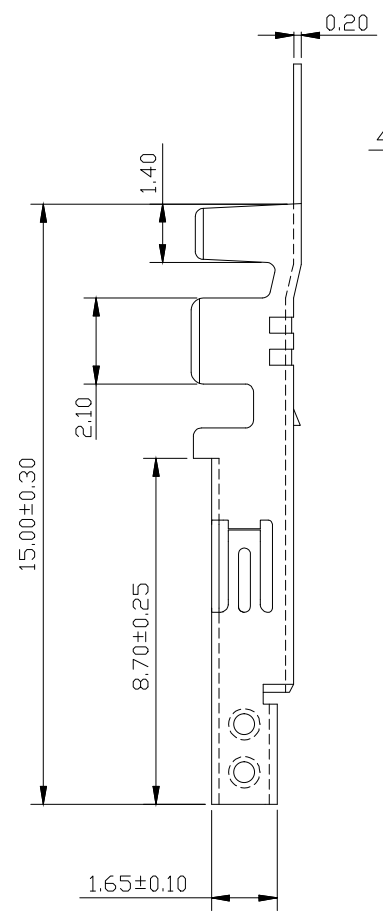
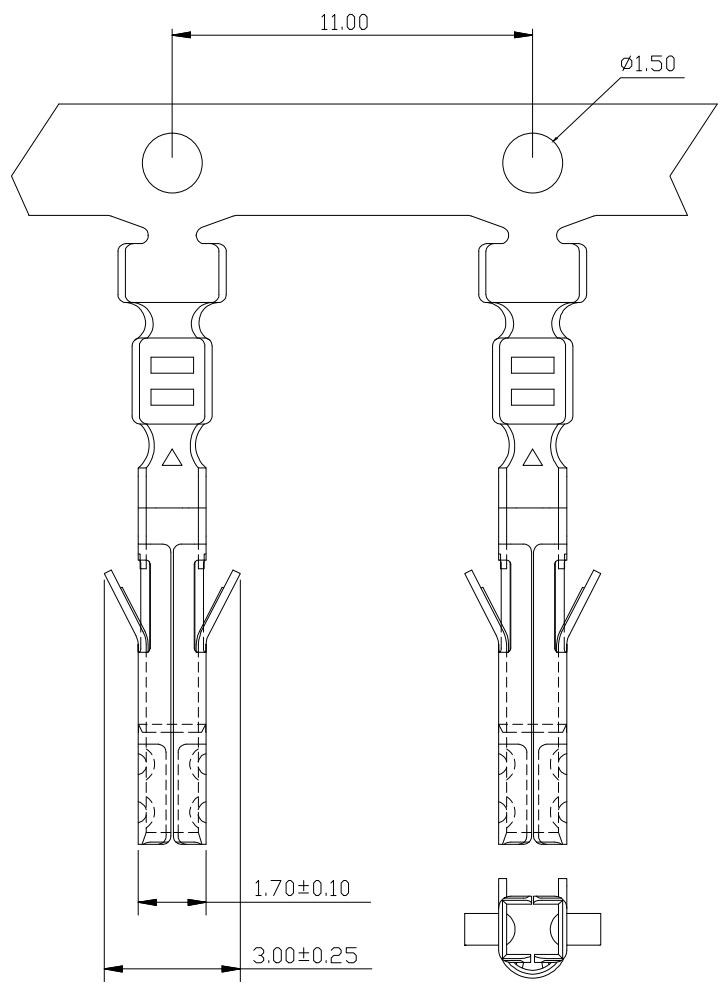
3

4

5

6

7



Notes:
 Insulator Material: Phosphor Bronze;
 Finish: Tin Plated;
 Voltage Rating: 600V AC,DC;
 Current Rating: 7A AC,DC;
 Withstanding Voltage: 1500V AC/minute;
 Insulation Resistance: 1000MΩ Min;
 Contact Resistance: 20mΩ Max;
 Operation Temperature: -25°C to +85°C;
 Packing: Reel;
 Applicable wire: AWG#18-#22.

RoHS compliant
 Unit:mm

Scale	Free						Date	Name
TOLERANCE		④	Add UL E-No. on page 1	03.14.2023	Peter	Drawn	29.01.2021	Segal
X.	±0.35	③	Added the page 8	02.21.2023	Peter	Approved	03.14.2023	Peter
X.X	±0.25	②	Update pin design and add the P/N	06.05.2022	Daniel			
X.XX	±0.20	①	Update the P/N	18.01.2022	Daniel			
X.XXX	±0.15	①	Update the P/N	18.01.2022	Daniel			
DIM	TOL	①	Drawn	01.02.2021	Segal			
Angle	TOL	Id.	Modification	Date	Name			

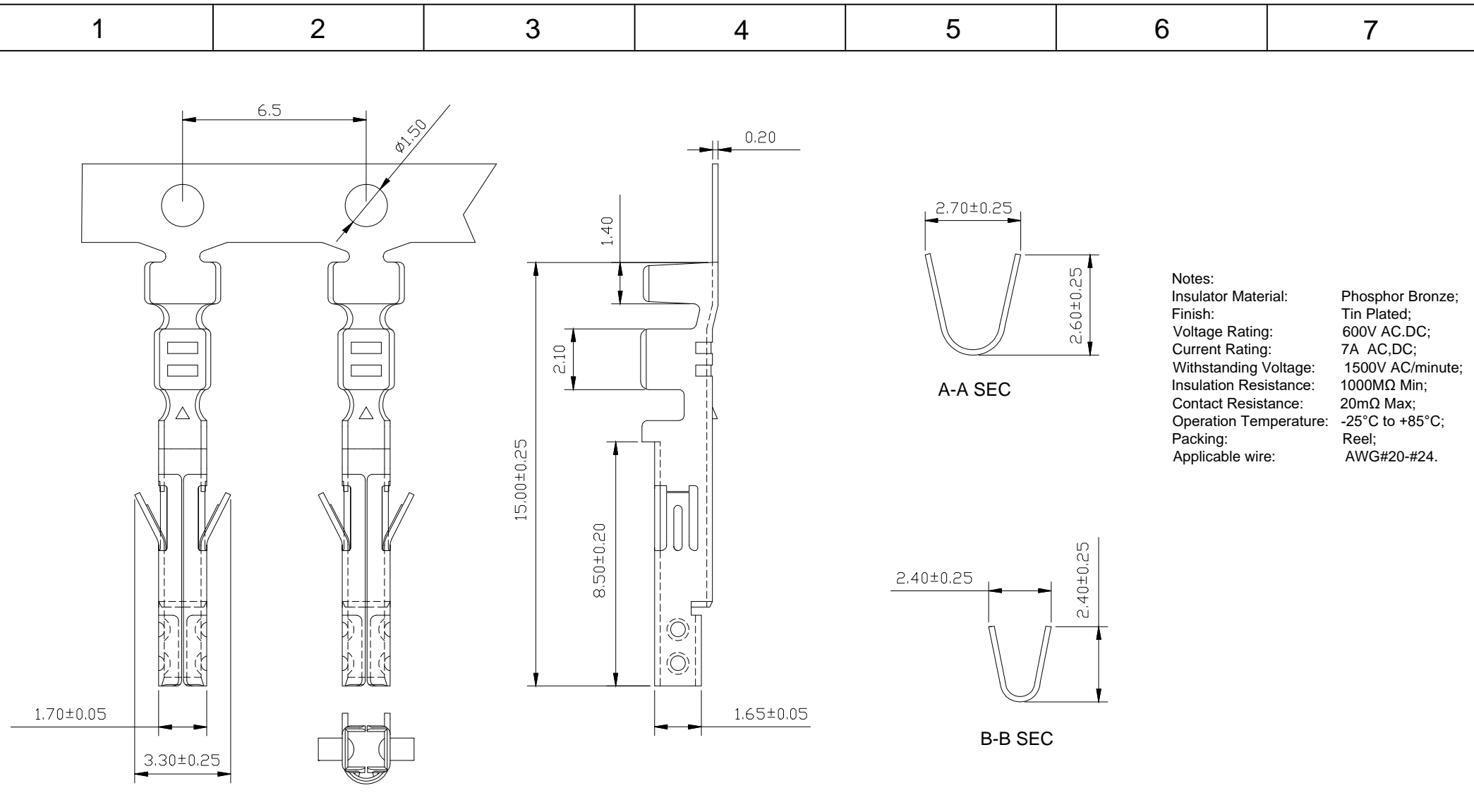
Description: Wire-to-board con.
 Terminal Female

ASSMANN WSW-No.
②A-WBT-S001EG-01CR01

Drawing-No.
ASS 8836 CO rev04

Customer-No. SHEET 4 / 8





Notes:
 Insulator Material: Phosphor Bronze;
 Finish: Tin Plated;
 Voltage Rating: 600V AC,DC;
 Current Rating: 7A AC,DC;
 Withstanding Voltage: 1500V AC/minute;
 Insulation Resistance: 1000MΩ Min;
 Contact Resistance: 20mΩ Max;
 Operation Temperature: -25°C to +85°C;
 Packing: Reel;
 Applicable wire: AWG#20-#24.

G	RoHS compliant Unit:mm	Scale	Free					Date	Name	Description: Wire-to-board con. Terminal Female		
		TOLERANCE		④	Add UL E-No. on page 1	03.14.2023	Peter	Drawn	29.01.2021	Segal	ASSMANN WSW-No.	
H		X.	±0.35	③	Added the page 8	02.21.2023	Peter	Approved	03.14.2023	Peter	② A-WBT-S001EG-01CR02	
		X.X	±0.25	②	Update pin design and add the P/N	06.05.2022	Daniel				Drawing-No.	
		X.XX	±0.20	①	Update the P/N	18.01.2022	Daniel			ASS 8836 CO		rev04
		DIM	TOL	⑥	Drawn	01.02.2021	Segal			Customer-No.		SHEET 5 / 8
				Angle	TOL	Id.	Modification	Date	Name			

1

2

3

4

5

6

7

A

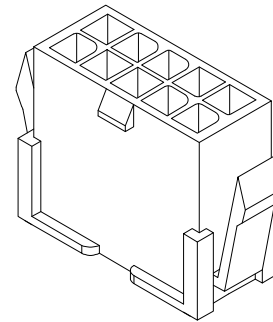
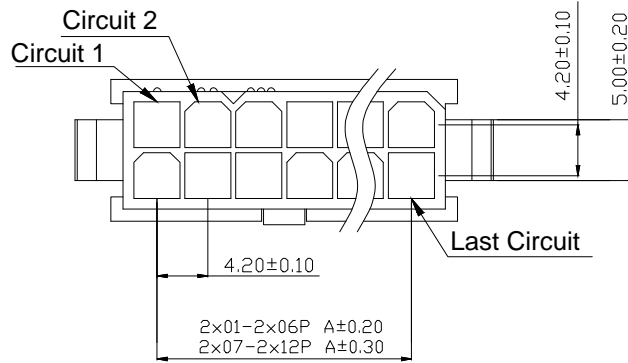
B

C

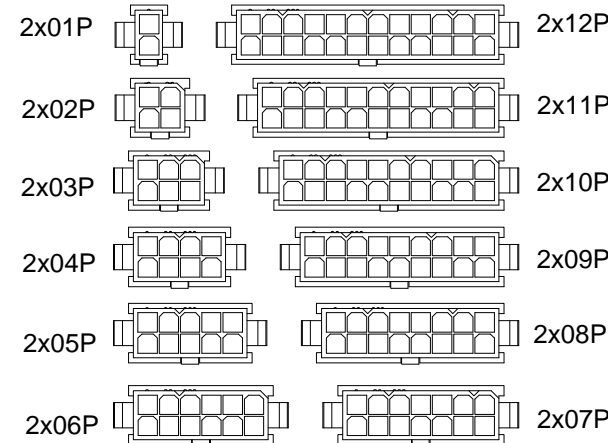
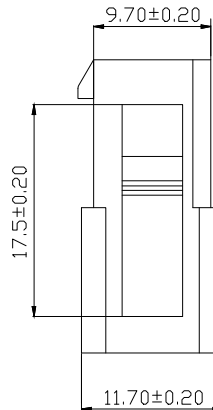
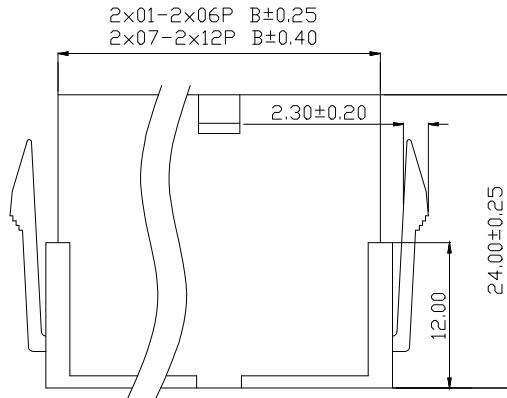
D

E

F



Notes:
 Insulator Material: Nylon 66 UL94V-2;
 Voltage Rating: 600V AC,DC;
 Current Rating: 7A AC,DC;
 Withstanding Voltage: 1500V AC/minute;
 Insulation Resistance: 1000MΩ Min;
 Contact Resistance: 20mΩ Max;
 Operation Temperature: -25°C to +85°C;
 Packing: PE bag.



CIRCUIT SIZE LAYOUT

No. of Contact	DIM A	DIM B
2	NA	5.60
4	4.20	9.80
6	8.40	14.00
8	12.60	18.20
10	16.80	22.40
12	21.00	26.60
14	25.20	30.80
16	29.40	35.00
18	33.60	39.20
20	37.80	43.40
22	42.00	47.60
24	46.20	51.80

A

B

C

D

E

F

G

H

G

H

RoHS compliant

Unit:mm

Scale Free

TOLERANCE

X. ±0.35

X.X ±0.25

X.XX ±0.20

X.XXX ±0.15

DIM TOL

Angle TOL

④ Add UL E-No. on page 1

03.14.2023

Peter

Drawn

Date

Name

Description: Wire-to-board con.
Housing
Pitch 4.2mm / Straight

③ Added the page 8

02.21.2023

Peter

Approved

03.14.2023

Peter

ASSMANN WSW-No.

A-WBH-S001DG-xxCB03

② Update pin design and add the P/N

06.05.2022

Daniel

① Update the P/N

18.01.2022

Daniel

① Drawn

01.02.2021

Segal



Drawing-No.

ASS 8836 CO

rev04

Customer-No.

SHEET
6 / 8

1

2

3

4

5

6

7

A

1

2

3

4

5

6

7

A

A

B

B

C

C

D

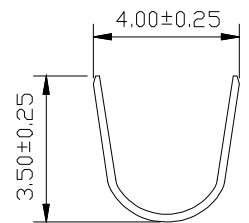
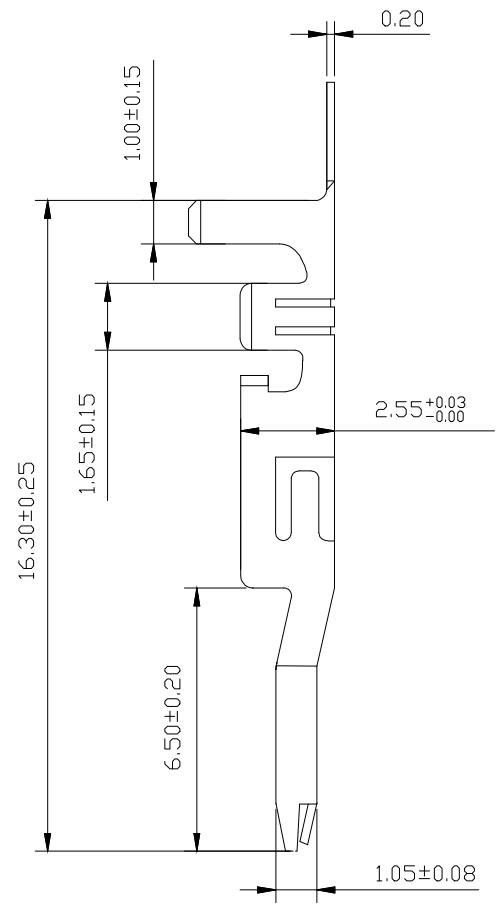
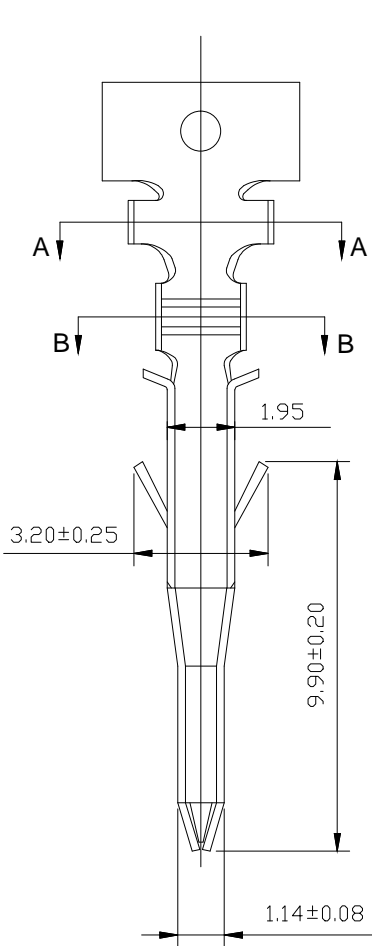
D

E

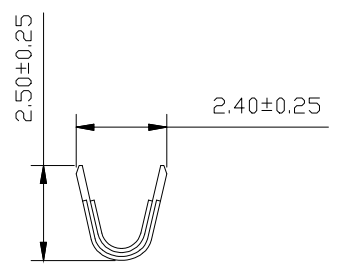
E

F

F



A-A SEC



B-B SEC

Notes:
 Insulator Material: Phosphor Bronze;
 Finish: Tin plated;
 Voltage Rating: 600V AC,DC;
 Current Rating: 7A AC,DC;
 Withstanding Voltage: 1500V AC/minute;
 Insulation Resistance: 1000MΩ Min;
 Contact Resistance: 20mΩ Max;
 Operation Temperature: -25°C to +85°C;
 Packing: Reel;
 Applicable wire: AWG#18-#22.

G

G

RoHS compliant

Unit:mm

Scale	Free						Date	Name
TOLERANCE		④	Add UL E-No. on page 1	03.14.2023	Peter	Drawn	29.01.2021	Segal
X.	±0.35	③	Added the page 8	02.21.2023	Peter	Approved	03.14.2023	Peter
X.X	±0.25	②	Update pin design and add the P/N	06.05.2022	Daniel			
X.XX	±0.20	①	Update the P/N	18.01.2022	Daniel			
X.XXX	±0.15	①	Update the P/N	18.01.2022	Daniel			
DIM	TOL	①	Drawn	29.01.2021	Segal			
Angle	TOL	Id.	Modification	Date	Name			

Description: Wire-to-board con.
Terminal Male

ASSMANN WSW-No.
②A-WBT-S001EG-01CR03



Drawing-No. **ASS 8836 CO** rev04

Customer-No. SHEET 7 / 8

H

H

1

2

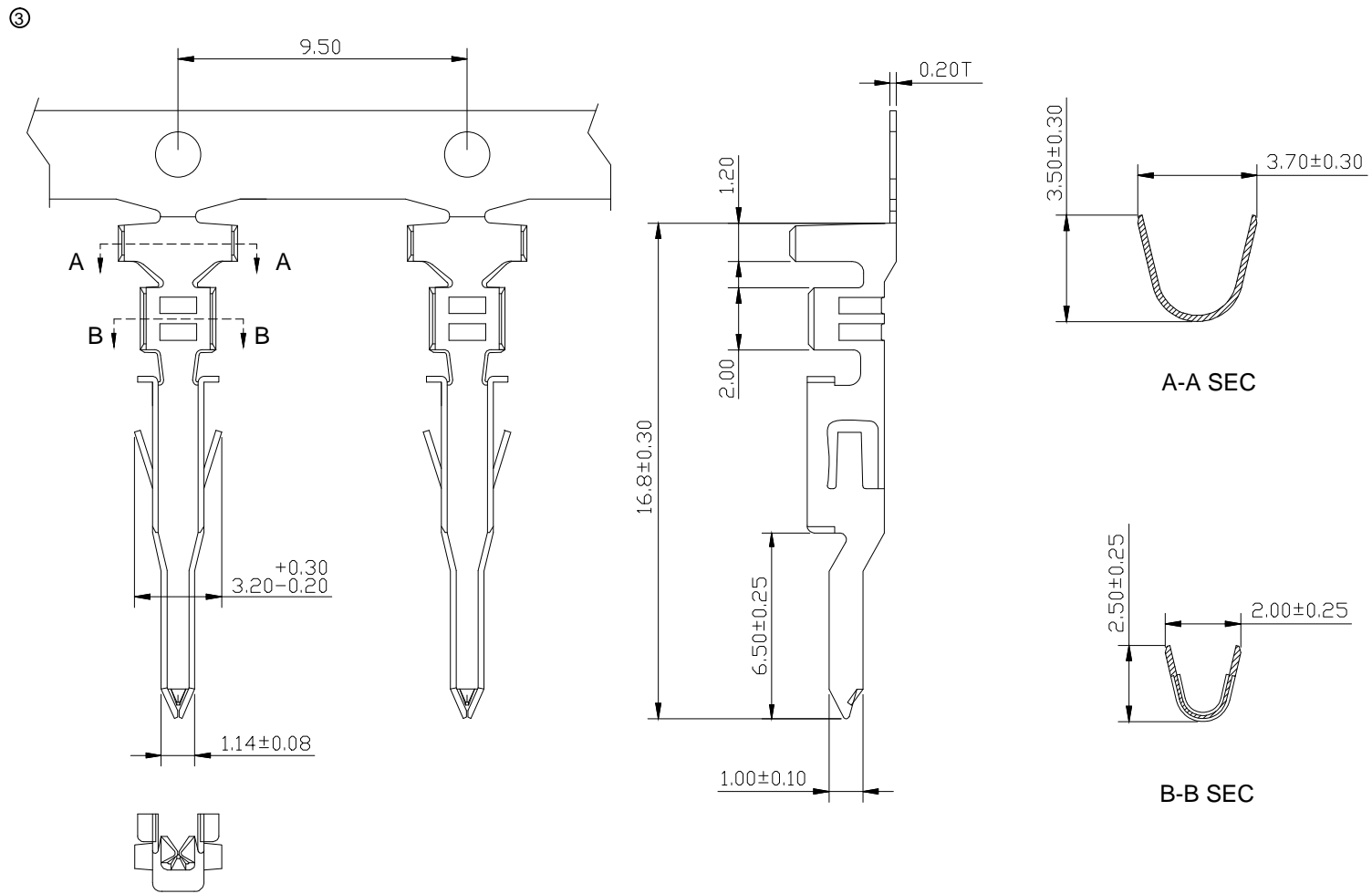
3

4

5

6

7



Notes:

Insulator Material:	Brass;
Finish:	Tin plated;
Voltage Rating:	600V AC,DC;
Current Rating:	7A AC,DC;
Withstanding Voltage:	1500V AC/minute;
Insulation Resistance:	1000MΩ Min;
Contact Resistance:	20mΩ Max;
Operation Temperature:	-25°C to +85°C;
Packing:	Reel;
Applicable wire:	AWG#20-#24

RoHS compliant

Unit:mm

Scale Free

TOLERANCE

X. ±0.35

X.X ±0.25

X.XX ±0.20

X.XXX ±0.15

DIM TOL

Angle TOL

Id.	Modification	Date	Name
④	Add UL E-No. on page 1	03.14.2023	Peter
③	Added the page 8	02.21.2023	Peter
②	Update pin design and add the P/N	06.05.2022	Daniel
①	Update the P/N	18.01.2022	Daniel
①	Drawn	29.01.2021	Segal

ASSMANN
WSW components

Description: Wire-to-board con.
Terminal
Male

ASSMANN WSW-No.
A-WBT-S001EG-01CR04

Drawing-No.
ASS 8836 CO rev04

Customer-No. SHEET
8 / 8