

# 1U RACK HANDLE

## SPECIFICATIONS:

### HANDLES

DESCRIPTION: EIA-310 compliant 1U rack handle with captive screws to secure enclosure to rack  
 MATERIAL: Bayer Bayblend PC/ABS polymer  
 RATED STRENGTH: 50lbs per handle  
 BREAKING STRENGTH: 110lbs typical, straight pull  
 FLAMMABILITY: NEBS compliant UL94 V-0, IEC 60335-1  
 ECOLABELS: RoHS 3, REACH, Blue Angel, Nordic Swan, TCO, WEEE

### CAPTIVE SCREWS

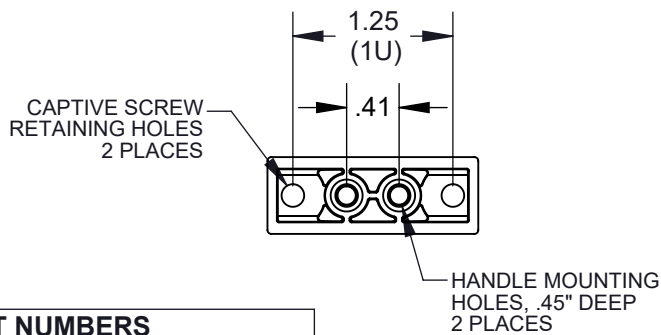
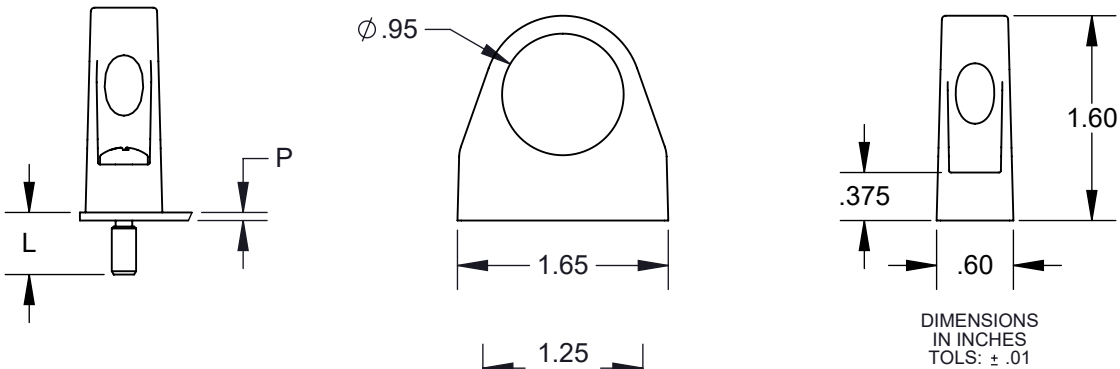
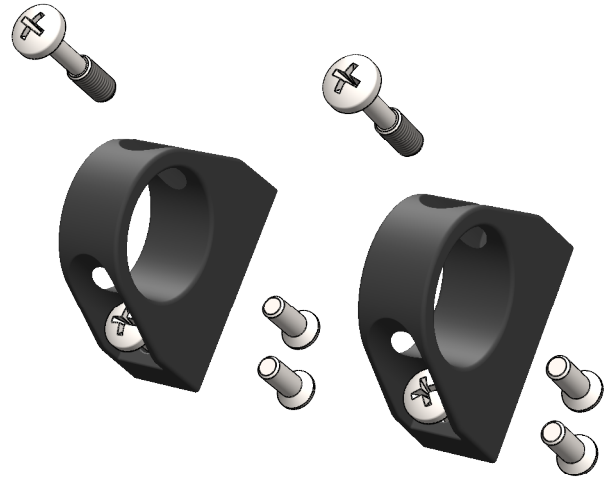
DESCRIPTION: ANSI #10-32 captive phillips pan head  
 MATERIAL: 18-8 stainless steel

### MOUNTING SCREWS

DESCRIPTION: #8-16x1/2" flat head plastite thread forming  
 MATERIAL: zinc plated steel

### SCOPE OF SUPPLY

The kit part number includes 2 handles, 4 mounting screws and 4 captive screws packaged with mounting instructions.



KIT PART NUMBERS			
PANEL THICKNESS "P"	SCREW STYLE	"L"	PART NO.
.059-.090"	PHIL PN HD	.435"	3001-059
.100-.134"	PHIL PN HD	.485"	3001-100
.160-.190"	PHIL PN HD	.535"	3001-160
.375 ± .015"	PHIL PN HD	.750"	3001-375

Part numbers shown ensure complete screw engagement with tapped or cage-nut style rack rails. For dedicated tapped rail applications a shorter screw may be used. Example: 3001-059 will work with a .125" panel and tapped rails.

