

RH-KS | Bi-directional flush pull handles

for screw mounting, technopolymer



- 1
- 2
- 3
- 4
- 5
- 6
- 7
- 8
- 9
- 10
- 11
- 12
- 13
- 14
- 15
- 16
- 17
- 18

MATERIAL

Glass-fibre reinforced polyamide based (PA) technopolymer, front surface with fine grain finish.

Four standard colours: RAL 7030 dark grey, RAL 7035 light grey, RAL 9002 white, RAL 9005 black.

STANDARD EXECUTION

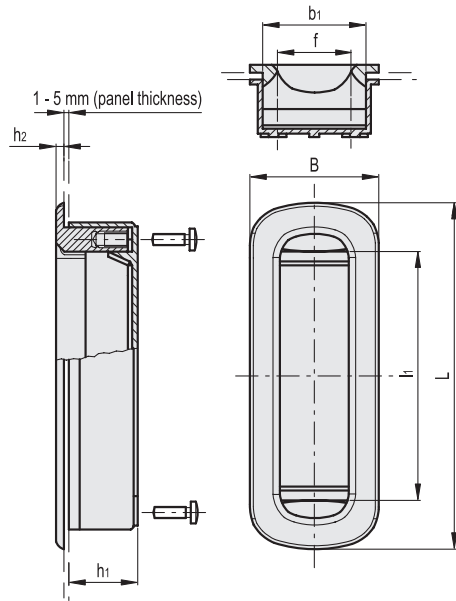
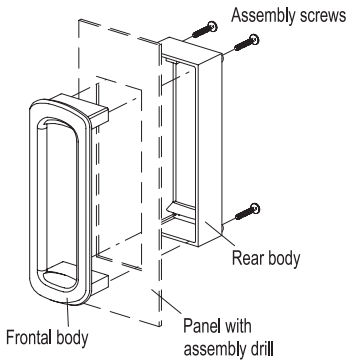
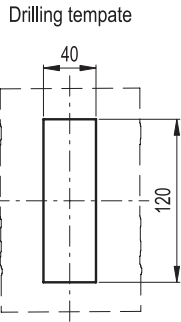
Assembly by means of 4 screws, included in the supply.

APPLICATIONS

RH-KS series flush pull handles are particularly suitable to be assembled on panels with thicknesses varying from 1 to 5 mm.

ASSEMBLY INSTRUCTIONS

1. Make a drill in the handle according to the template dimensions reported thus removing the drilling burrs.
2. Fit the frontal body of the handle into the housing on the panel.
3. Fit the rear body of the handle onto the rear panel and press until the complete fitting with the frontal handle part.
4. Assembly by means of 4 screws, included in the supply.



Conversion Table	
1 mm = 0.039 inch	
L	
mm	inch
140	5.51

RH-KS



Code	f	L	B	b1	h1	h2	l1	Δ
RHKS-40.120.7030	30	140	50	40	29	3	100	109
RHKS-40.120.7035	30	140	50	40	29	3	100	109
RHKS-40.120.9005	30	140	50	40	29	3	100	109