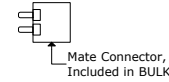
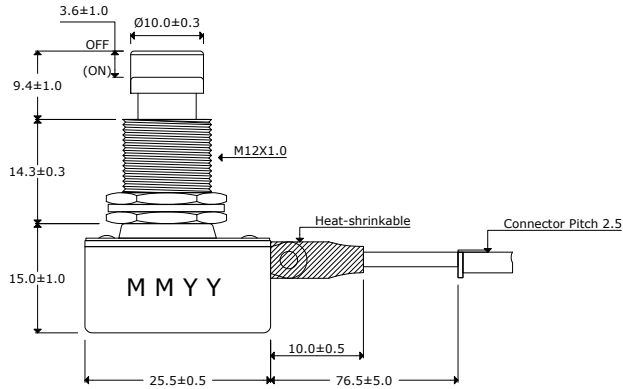
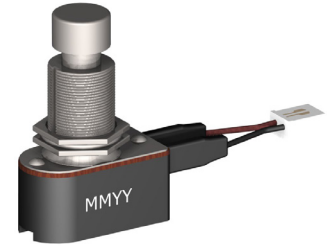
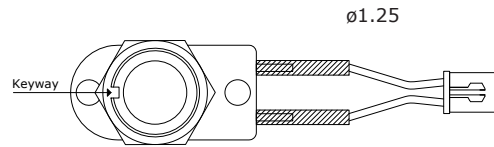
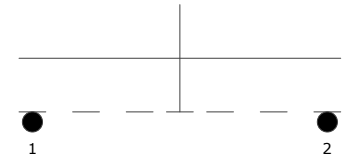


S SW FS - S01 - A E 11 - HWH - C25

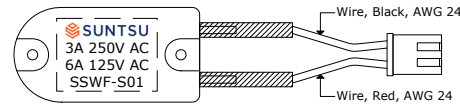
SUNTSU
SWITCH
FOOT SWITCH
SERIES NUMBER
SWITCH FUNCTION
 A : SPST OFF-(ON)
TERMINAL CODE
 11 : Wire
BUSHING AND BUTTON SPEC
 E : Button 10.0Ø, Bushing 14.3mm
ACCESSORIES
 H : Hex Nut
 W : Spring Washer
CONNECTOR
 C25 : W/ Connector
 Pitch 2.5mm



Test Circuit

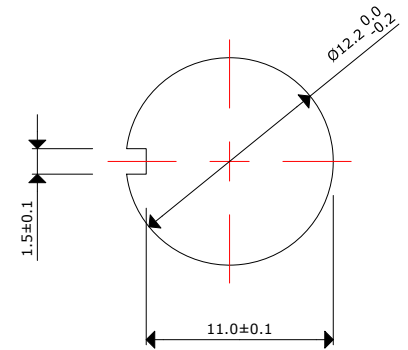


Top View



Bottom View

Mounting Hole



Electrical Parameters:

Rating: 6A 125V AC, 3A 250VAC

Contact Resistance: 50mΩ Max

Insulation Resistance: DC 500V 100MΩ Min.

Dielectric Strength: AC 1500V 1 minute

Operation Temperature: -20°C ~ 65°C

Switch Function: 2P SPST OFF-(ON), PUSH ON

Accessories: 2 HEX Nut & 1 SPRING Washer Assembly, Mate Connector in BULK

Materials:

Frame: Black, PF

Actuator: Ni-plated, Brass

Terminals: Silver plated, Copper Alloy

Remarks:

- 500pcs per master carton
- Electrical life 20,000 cycles
- Mechanical life 100,000 cycles



Momentary Foot Switch

Document History				Part No.	REV.	Drawn	Page
Edits Made	Date	Edited By	Approved By	SSWFS-S01-AE11-HWH-C25	A	B. Gibbons	09/07/2021
Initial Release	09/07/2021	B. Gibbons	KH Mun				Checked
				Drawing No.	None		1 / 1
				Tolerance	UNIT	Approved	
					mm		