

NOTES: UNLESS OTHERWISE SPECIFIED

1. CONSTRUCTION:

HOUSING & PLUNGER: NYLON. AVAILABLE IN 10 COLORS
 CONTACT BLADE: GOLD PLATED BeCu
 SPRING: STAINLESS STEEL

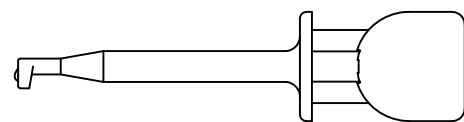
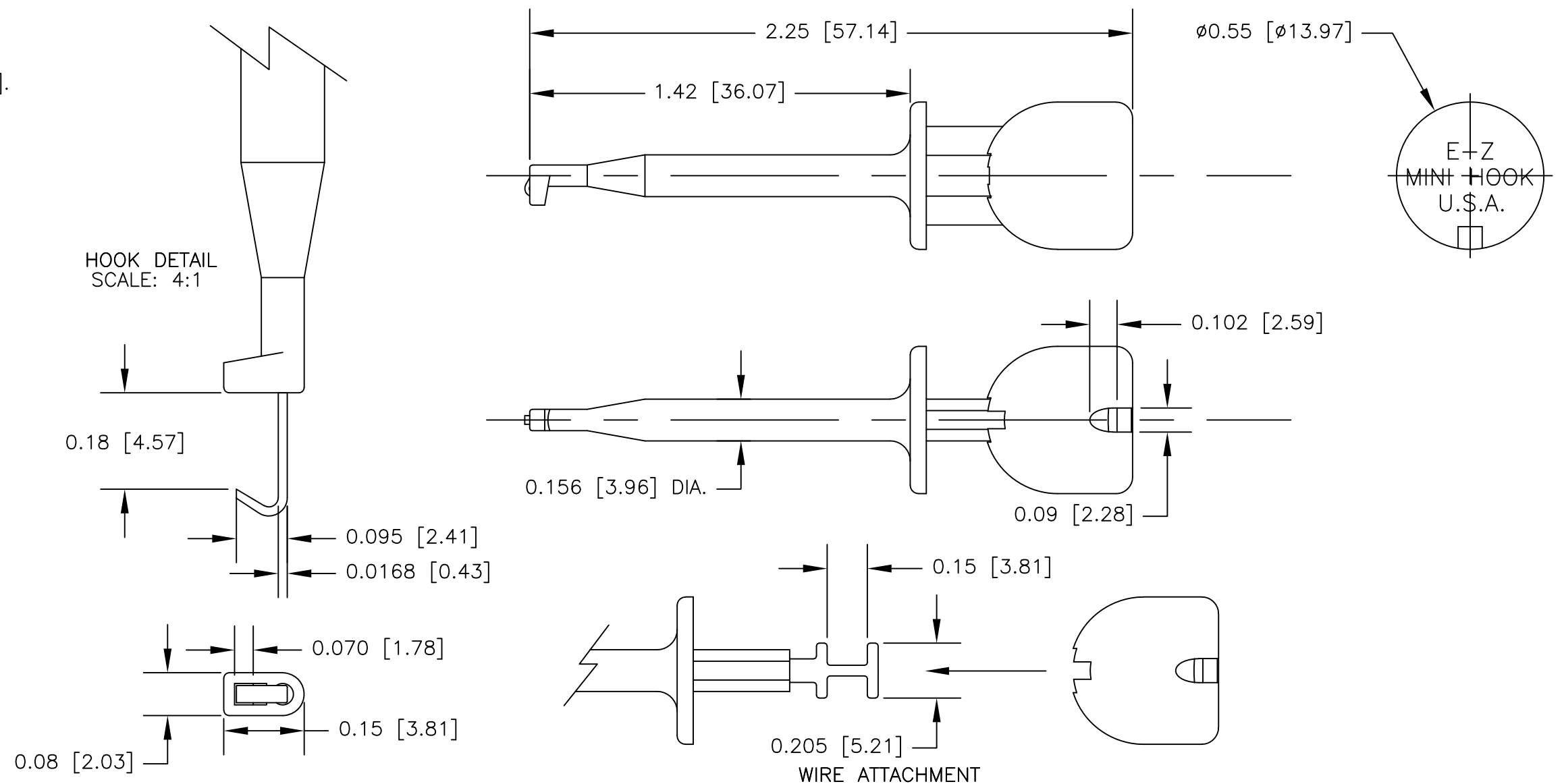
2. PERFORMANCE:

MAXIMUM CURRENT: 5.9 AMPS WITH A 77°F TEMPERATURE RISE.
 MAXIMUM VOLTAGE: 5.4 kV
 MAXIMUM TEMPERATURE: 200°F (93°C)

3. FEATURES:

HOOK FITS COMPONENTS UP TO $\phi 0.040$ [$\phi 1.01$].
 FIELD SERVICEABLE.

LTR	REVISIONS		DATE	APPROVED
	DESCRIPTION			



ACTUAL SIZE

		UNLESS OTHERWISE SPECIFIED DIMENSIONS ARE IN INCHES TOLERANCES ARE: FRACTIONS DECIMALS ANGLES ± .XX ± ± ± .XXX ± ±	CONTRACT NO.		E-Z-HOOK DIVISION OF TEKTEST INC. ARCADIA, CA 91006 U.S.A.
			APPROVALS	DATE	
		MATERIAL SEE NOTE.	DRAWN R.L.	6/09	DESCRIPTION E-Z-MINI-HOOK TEST CONNECTOR
		FINISH SEE NOTE.	APPROVED BY		
NEXT ASSY	USED ON				SIZE B
APPLICATION		DO NOT SCALE DRAWING			CODE IDENT NO. 08505
					DRAWING NO. X100W
					SCALE 2:1
					REV. 1
					SHEET 1 OF 1