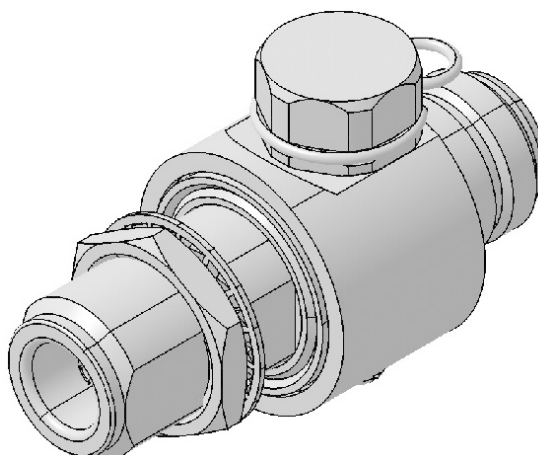


**COAXIAL SURGE PROTECTOR DEVICE, GDT technology up to 1.0 GHz**

3401.17.K

**Properties**

- Broadband frequency operation from DC to 1 GHz
- Gas discharge tube replaceable and not included
- DC/AC remote powering via coaxial same cable
- Surge current handling capability 30 kA once and 20 kA multiple
- Semper self-extinguishing functionality optional



| Product configuration  |  |
|------------------------|--|
| Main path connectors   | Port 1: unprotected, N jack (female)<br>Port 2: protected, N jack (female) |
| Mounting and grounding | MH12 (bulkhead mounting)   |
| Side of bulkhead       | protected side   |

| Interface and material data        |   |
|------------------------------------|---|
| Housing material / plating         | Brass / SUCOPLATE (R) Plating   |
| Center contact, material / plating | Port 1: Copper Beryllium Alloy / Gold Plating (without Nickel underplating) |
|                                    | Port 2: Copper Beryllium Alloy / Gold Plating (without Nickel underplating) |

| Electrical data                   |   |
|-----------------------------------|---|
| Impedance                         | 50 $\Omega$   |
| Frequency frame                   | 0 MHz to 1000 MHz   |
| Return loss typical               | $\geq 26.44$ dB   |
| Insertion loss typical            | $\leq 0.1$ dB   |
| CW power frame                    | $\leq 150$ W  |
| Residual pulse energy (typ.)      | 350 $\mu$ J (test pulse 4 kV 1.2/50 $\mu$ s; 2 kA 8/20 $\mu$ s) |
| Surge current handling capability | 30 kA single, 20 kA multiple (test pulse 8/20 $\mu$ s)          |

| Electrical remarks |                                       |
|--------------------|---------------------------------------|
| Gas tube           | Yes DC, GDT not included              |
| Electrical remarks | Data refer to GDT 9071.99.0547, 230 V |

## COAXIAL SURGE PROTECTOR DEVICE, GDT technology up to 1.0 GHz

3401.17.K

| Mechanical data |       |
|-----------------|-------|
| Weight          | 110 g |
| Mating cycles   | 500   |

| Environmental data             |                                  |
|--------------------------------|----------------------------------|
| Operation temperature          | -40 °C ... 85 °C                 |
| Storage temperature            | -40 °C ... 85 °C                 |
| Ingress protection (IP Rating) | IP66                             |
| Thermal shock according        | MIL-STD-202, Method 107, Cond. B |
| Vibration according            | MIL-STD-202, Method 204, Cond. D |
| Moisture resistance according  | MIL-STD-202, Method 106          |

| Comment           |                  |
|-------------------|------------------|
| NATO Stock Number | 5920-12-321-2510 |

| Ordering Information Table |                  |
|----------------------------|------------------|
| Item number                | Item description |
| 22643812                   | 3401.17.K        |

HUBER+SUHNER is certified by ISO 9001, ISO 14001, ISO 45001, IATF 16949, AS/EN 9100 and ISO/TS 22163-IRIS. Waiver: Facts and figures herein are for information only and do not represent any warranty of any kind.  
DOCUMENT PIM-P2027 / Date of publication: 05.03.2024 / uncontrolled copy