

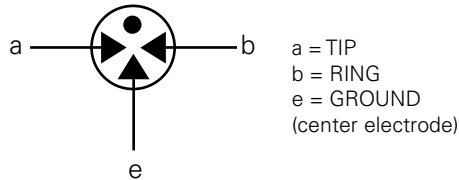
SL1021A/B Series



Agency Approvals

| AGENCY | AGENCY FILE NUMBER |
|---|--------------------|
|  | E128662 |

3 Electrode GDT Graphical Symbol



Features

- RoHS compliant
- Low insertion loss
- Excellent response to fast rising transients
- Ultra low capacitance
- 10KA (A suffix devices) / 20KA (B suffix devices) surge capability tested with 8/20µs pulse as defined by IEC 61000-4-5
- Available with thermal failsafe option (add 'F' suffix to part number)

Applications

- SL1021:**
- Broadband equipment
 - ADSL equipment
 - XDSL equipment
 - Satellite and CATV equipment
 - Splitters
 - General telecom equipment
 - Telecom network interfaces
 - Telephone line cards
 - Repeaters
 - Modems
 - Line test equipment

Description

GDT circuit protection devices dissipate electrical surge energy safely within a contained plasma gas. Commonly used to help protect sensitive telecom and networking equipment and lines, GDTs protect from damage that may result from lightning strikes and equipment switching operations.

The Littelfuse GDT series described in this document are available in a variety of leaded and surface mount forms and offered with and without optional fail-safe clip. Please refer to the electrical specifications, dimension and packaging options section of this document for additional information.

SL1021A/B Series:

SL1021A/B series GDTs are designed to offer high levels of performance on fast rising transients in the range of 100V/µS to 1KV/µS, which are those most likely created by induced lightning disturbances.

These devices feature ultra low capacitance (typically 1.5pF or less) and are extremely robust with SL1021A devices able to divert a 10,000 Amp pulse without destruction, and SL1021B suffix devices able to divert a 20,000 Amp pulse without destruction.

These series offer optimized internal geometry which provide low insertion loss at high frequencies, ideal for the protection of broadband and other high speed transmission equipment.

Product Characteristics

| | |
|--|--|
| Materials | Dull Tin Plate 17.5 ± 12.5 Microns. with ceramic insulator |
| Product Marking | 'LF' mark, voltage & date code: SL1021A - Red /White text SL1021B - Blue /White text |
| Glow to arc transition current | ~ 1Amp |
| Glow Voltage | ~60-200 Volts |
| Storage and Operation Temperature | -40 to +90°C |
| Transverse Voltage (Delay Time) | < 0.2µSec (Tested to ITU-T Rec. K.12) |
| Arc Voltage | ~10 to 35 Volts |
| Holdover Voltage | <150mS (Tested to ITU-T Rec. K.12) |

Electrical Characteristics

| Device Specifications (at 25°C) | | | | | | | Life Ratings | | | | | | | | | | |
|---------------------------------|----------------------|-----|-----|------------------------------|----------------------------|---------------------|--------------------------------------|---------------------------------------|---|--|--|---|--|--|--|--|-----|
| Part Number | DC Voltage 100V/Sec. | | | DC Voltage 100 V/ μ Sec. | DC Voltage 1kV/ μ Sec. | Capacitance (@1Mhz) | Insulation Resistance | AC Current 50Hz 1Sec.x10 ¹ | Surge Current 8/20 μ Sec x10 ¹ | Max Single Surge 8/20 μ Sec ¹ | Max Single Surge 10/350 μ Sec ¹ | Surge Life 10/1000 μ Secx300 ¹ | | | | | |
| | MIN | TYP | MAX | | | | | | | | | | | | | | |
| SL1021B075 | 60 | 75 | 90 | 500 | 650 | <1.5pF | >10 ¹⁰ Ω (at 50V) | 10Amps | 10kA ² 20kA ³ | 15kA ² 25kA ³ | 4kA ² 5kA ³ | 200Amps | | | | | |
| SL1021A090 SL1021B090 | 72 | 90 | 108 | | 600 | | >10 ¹⁰ Ω (at 100V) | | | | | | | | | | |
| SL1021A145 SL1021B145 | 116 | 145 | 174 | | | | | | | | | | | | | | |
| SL1021A150 SL1021B150 | 120 | 150 | 180 | | | | | | | | | | | | | | |
| SL1021A200 | 150 | 200 | 250 | | | | | | | | | | | | | | |
| SL1021A230 SL1021B230 | 184 | 230 | 276 | | 450 | | | | | | | | | | | | 650 |
| SL1021A250 SL1021B250 | 200 | 250 | 300 | | 500 | | | | | | | | | | | | |
| SL1021A260 SL1021B260 | 210 | 260 | 310 | | 550 | | | | | | | | | | | | 700 |
| SL1021A300 SL1021B300 | 240 | 300 | 360 | | 650 | | | | | | | | | | | | 850 |
| SL1021A350 SL1021B350 | 280 | 350 | 420 | | 700 | | | | | | | | | | | | 900 |
| SL1021A400 SL1021B400 | 320 | 400 | 480 | 850 | 950 | | | | | | | | | | | | |
| SL1021A420 SL1021B420 | 345 | 420 | 500 | | | | | | | | | | | | | | |
| SL1021A450 SL1021B450 | 360 | 450 | 540 | 900 | 1000 | | | | | | | | | | | | |
| SL1021A500 SL1021B500 | 400 | 500 | 600 | 950 | 1100 | | | | | | | | | | | | |
| SL1021A600 | 480 | 600 | 720 | 1000 | 1200 | | | | | | | | | | | | |

NOTES:

1. Total current through centre electrode, tested in accordance with ITU-T Rec K.12
2. SL1021A series
3. SL1021B series

Additional Information



**Datasheet
SL1021A**



**Resources
SL1021A**



**Samples
SL1021A**



**Datasheet
SL1021B**

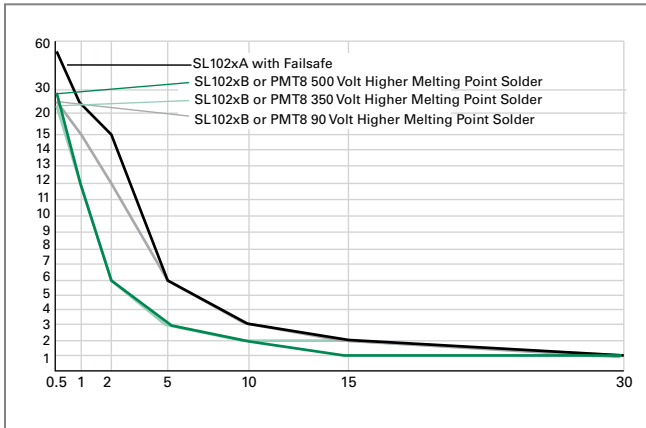


**Resources
SL1021B**

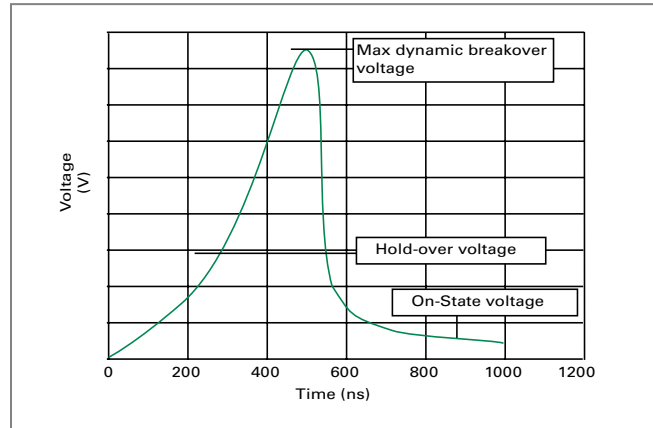


**Samples
SL1021B**

Time vs. Current for Failsafe

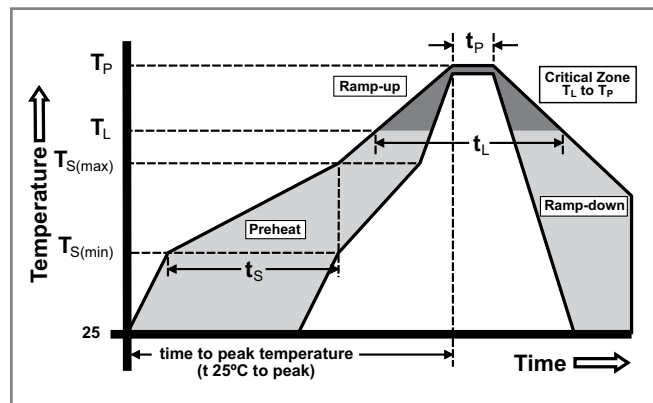


Voltage vs. Time Characteristic



Soldering Parameters - Reflow Soldering (Surface Mount Devices)

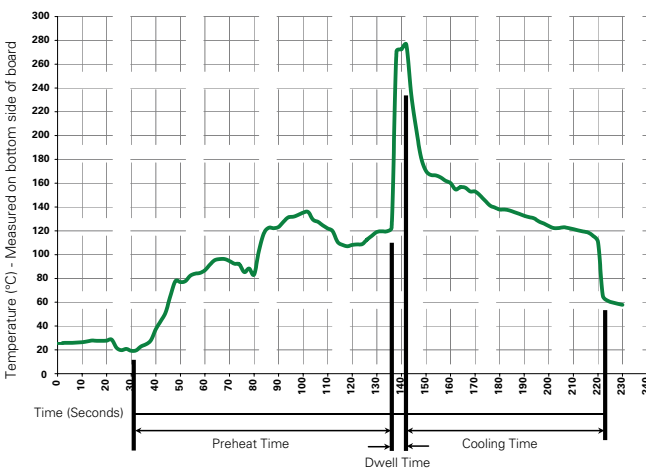
| | | |
|--|------------------------------------|-------------------------|
| Reflow Condition | | Pb – Free assembly |
| Pre Heat | - Temperature Min ($T_{s(min)}$) | 150°C |
| | - Temperature Max ($T_{s(max)}$) | 200°C |
| | - Time (Min to Max) (t_s) | 60 – 180 secs |
| Average ramp up rate (Liquidus Temp (T_L) to peak) | | 3°C/second max |
| $T_{s(max)}$ to T_L - Ramp-up Rate | | 5°C/second max |
| Reflow | - Temperature (T_L) (Liquidus) | 217°C |
| | - Temperature (t_l) | 60 – 150 seconds |
| Peak Temperature (T_p) | | 260 ^{+0/-5} °C |
| Time within 5°C of actual peak Temperature (t_p) | | 10 – 30 seconds |
| Ramp-down Rate | | 6°C/second max |
| Time 25°C to peak Temperature (T_p) | | 8 minutes Max. |
| Do not exceed | | 260°C |



Soldering Parameters - Hand Soldering

Solder Iron Temperature: 350° C +/- 5°C
Heating Time: 5 seconds max.

Soldering Parameters - Wave Soldering (Thru-Hole Devices)



Recommended Process Parameters:

| Wave Parameter | Lead-Free Recommendation |
|---|-----------------------------------|
| Preheat: (Depends on Flux Activation Temperature) | (Typical Industry Recommendation) |
| Temperature Minimum: | 100° C |
| Temperature Maximum: | 150° C |
| Preheat Time: | 60-180 seconds |
| Solder Pot Temperature: | 280° C Maximum |
| Solder Dwell Time: | 2-5 seconds |

Note: Surge Arrestors with a Failsafe mechanism should be individually examined after soldering

Device Dimensions

NOTE: Failsafe option dimensions shown in green.

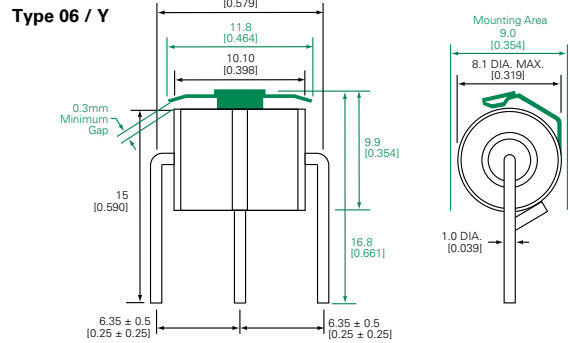
Shaped Radial Leaded Devices:



Core Devices:



Straight Radial Leaded Devices:

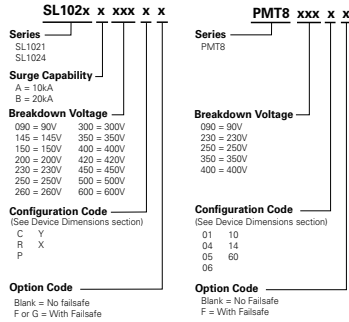


Straight "T" Leaded Devices:



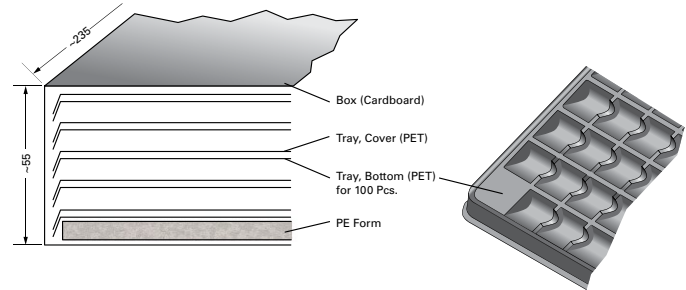
Type "R" is available for SL1021B075 device only.

Part Numbering System and Ordering Information

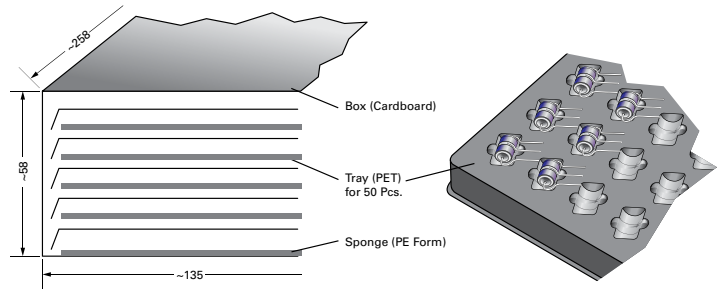


Packaging

For 'SL1021A/B' device type C, R, P, Y packing



For 'SL1021A/B' device type X packing



| Device Type | Description | Quantity |
|-------------|----------------------------------|----------|
| Type C | 100pcs/tray x 5 trays per carton | 500 |
| Type R | 100pcs/tray x 5 trays per carton | 500 |
| Type P | 100pcs/tray x 5 trays per carton | 500 |
| Type Y | 100pcs/tray x 5 trays per carton | 500 |
| Type X | 50pcs/tray x 5 trays per carton | 250 |

* Please contact the factory for further packaging information.

Disclaimer Notice - Information furnished is believed to be accurate and reliable. However, users should independently evaluate the suitability of and test each product selected for their own applications. Littelfuse products are not designed for, and may not be used in, all applications. Read complete Disclaimer Notice at: www.littelfuse.com/disclaimer-electronics.