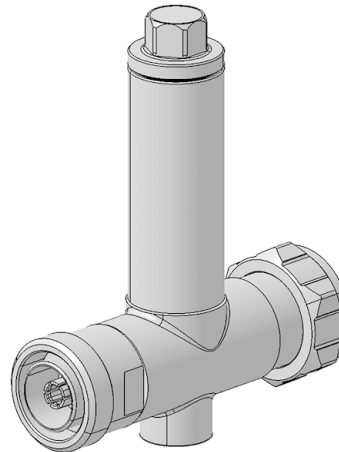


COAXIAL SURGE PROTECTOR DEVICE, High-power/low-IM GDT hybrid technology

3409.41.0054-EX

Properties

- DC continuity for remote powering
- RF peak power not limited by gas discharge tube
- Excellent low PIM performance; Ideal for multicarrier systems
- Availability for application bands between 380 MHz and 18 GHz
- Gas discharge tube installed with SEMPER configuration



Product configuration

Main path connectors	Port 1: unprotected, 7/16 plug (male) Port 2: protected, 7/16 jack (female)
Mounting and grounding	M8 (screw), brk (bracket)

Material data

Housing material / plating	Brass / SUCOPLATE (R) Plating
Center contact, material / plating	Port 1: Brass / Silver Plating Port 2: Copper Beryllium Alloy / Silver Plating

Electrical data

Impedance	50 Ω
Frequency frame	380 MHz to 512 MHz
Return loss typical	20 dB
Insertion loss typical	0.1 dB
CW power frame	500 W
PIM 3rd order	-150 dBc typ.

Electrical remarks

DC supply voltage	48 V
DC current	2.5 A
Surge current handling capability	30 single / 20 multiple kA (test pulse 8/20 μ s)
Residual pulse energy	350 μ J typically (test pulse 4 kV 1.2/50 μ s / 2 kA 8/20 μ s) main path - protected side
Gas tube	Yes DC, GDT included, replaceable, 9071.99.0747 (SEMPER, 230 V)

COAXIAL SURGE PROTECTOR DEVICE, High-power/low-IM GDT hybrid technology
3409.41.0054-EX

Mechanical data	
Weight	465 g
Mating cycles	500

Environmental data	
Operation temperature	-40 °C ... 85°C
Storage temperature	-40 °C ... 85°C
Ingress protection (IP Rating)	IP65

Ordering Information Table	
Item number	Item description
23035495	3409.41.0054-EX

HUBER+SUHNER is certified by ISO 9001, ISO 14001, ISO 45001, IATF 16949, AS/EN 9100 and ISO/TS 22163-IRIS. Waiver: Facts and figures herein are for information only and do not represent any warranty of any kind.
DOCUMENT PIM-P1943 / Date of publication: 07.11.2023 / uncontrolled copy