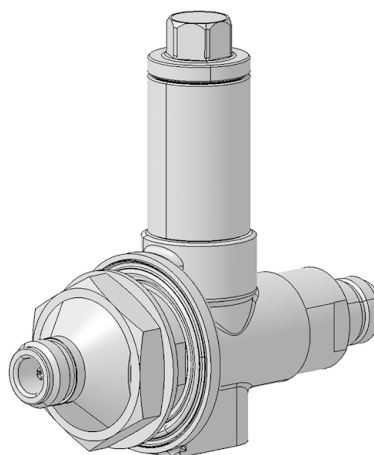


COAXIAL SURGE PROTECTOR DEVICE, High-power/low-IM GDT hybrid technology

3409.17.0031-EX

Properties

- DC continuity for remote powering
- RF peak power not limited by gas discharge tube
- Excellent low PIM performance; Ideal for multicarrier systems
- Availability for application bands between 380 MHz and 18 GHz
- Gas discharge tube installed with SEMPER configuration



Product configuration	
Main path connectors	Port 1: unprotected, N jack (female) Port 2: protected, N jack (female)
Mounting and grounding	MH74 (bulkhead mounting), M8 (screw), brk (bracket)
Side of bulkhead	protected side

Material data	
Housing material / plating	Brass / SUCOPLATE (R) Plating
Center contact, material / plating	Port 1: Copper Beryllium Alloy / Gold Plating (without Nickel underplating)
	Port 2: Copper Beryllium Alloy / Gold Plating (without Nickel underplating)

Electrical data	
Impedance	50 Ω
Frequency frame	806 MHz to 2500 MHz
Return loss typical	20.8 dB
Insertion loss typical	0.15 dB
CW power frame	500 W
Peak power frame	10000 W
PIM 3rd order	-150 dBc typ.
AISG frequency	2176 MHz
AISG return loss	20 dB
AISG insertion loss	0.1 dB

COAXIAL SURGE PROTECTOR DEVICE, High-power/low-IM GDT hybrid technology

3409.17.0031-EX

Electrical bands		
	Range 1	Range 2
Frequency range	806 MHz ... 960 MHz	1710 MHz ... 2500 MHz
Return loss	26 dB	26 dB
Insertion loss	0.15 dB	0.15 dB
Power avg. / peak	1000 W / 10000 W	500 W / 10000 W
PIM 3rd order	-150 dBc typ.	-150 dBc typ.

Electrical remarks	
DC supply voltage	48 V
DC current	2.5 A
Surge current handling capability	30 single / 20 multiple kA (test pulse 8/20 μ s)
Residual pulse energy	350 μ J typically (test pulse 4 kV 1.2/50 μ s / 2 kA 8/20 μ s) main path - protected side
Gas tube	Yes DC, GDT included, replaceable, 9071.99.0748 (SEMPER, 90 V)

Mechanical data	
Weight	577 g
Mating cycles	500

Environmental data	
Operation temperature	-40 °C ... 85 °C
Storage temperature	-40 °C ... 85 °C
Ingress protection (IP Rating)	IP65

Ordering Information Table		
Item number	Item description	
23036713	3409.17.0031-EX	

HUBER+SUHNER is certified by ISO 9001, ISO 14001, ISO 45001, IATF 16949, AS/EN 9100 and ISO/TS 22163-IRIS. Waiver: Facts and figures herein are for information only and do not represent any warranty of any kind.
DOCUMENT PIM-P1948 / Date of publication: 07.11.2023 / uncontrolled copy