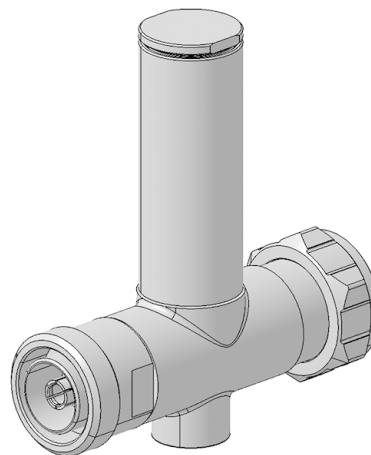


# COAXIAL SURGE PROTECTOR DEVICE, Quarter-wave stub technology with integrated high-pass filter

3407.41.0038

## Properties

- Residual voltage reduced by 80 % compared to standard types of series 3400
- Residual energy reduced of more than 99.9 % compared to series 3401 and 3402
- DC-blocking on protected side of the device
- Available for applications from 70 MHz to 18 GHz
- Return loss 20 dB min. and Insertion loss 0.2 dB max.



## Product configuration

Main path connectors	Port 1: unprotected, 7/16 plug (male) Port 2: protected, 7/16 jack (female)
Mounting and grounding	M8 (screw), brk (bracket)

## Interface and material data

Housing material / plating	Brass / SUCOPLATE (R) Plating
Center contact, material / plating	Port 1: Brass / Silver Plating Port 2: Copper Beryllium Alloy / Silver Plating

## Electrical data

Impedance	50 $\Omega$
Frequency frame	380 MHz to 512 MHz
Return loss typical	20 dB
Insertion loss typical	0.2 dB
CW power frame	500 W

## Electrical remarks

Surge current handling capability	80 multiple kA (test pulse 8/20 $\mu$ s)
Residual pulse energy	0.03 $\mu$ J typically (test pulse 4 kV 1.2/50 $\mu$ s / 2 kA 8/20 $\mu$ s) main path - protected side
Gas tube	No DC / shorted QW or LC

**COAXIAL SURGE PROTECTOR DEVICE, Quarter-wave stub technology with integrated high-pass filter**

3407.41.0038

<b>Mechanical data</b>	
Weight	430 g

<b>Environmental data</b>	
Operation temperature	-40 °C ... 85°C
Storage temperature	-40 °C ... 85°C
Ingress protection (IP Rating)	IP65

<b>Ordering Information Table</b>	
Item number	Item description
23037377	3407.41.0038

HUBER+SUHNER is certified by ISO 9001, ISO 14001, ISO 45001, IATF 16949, AS/EN 9100 and ISO/TS 22163-IRIS. Waiver: Facts and figures herein are for information only and do not represent any warranty of any kind.  
DOCUMENT PIM-P1953 / Date of publication: 16.11.2023 / uncontrolled copy