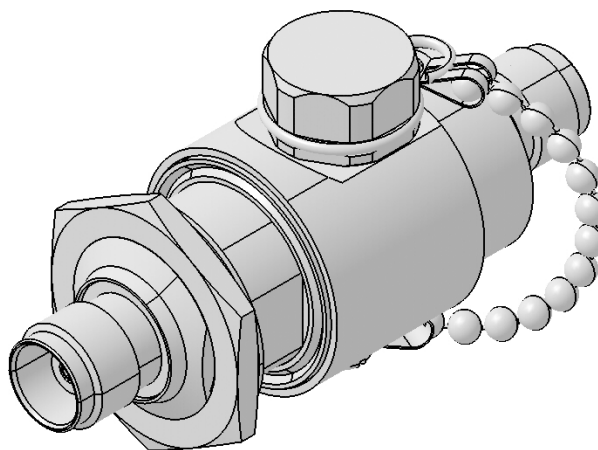


# COAXIAL SURGE PROTECTOR DEVICE, GDT technology up to 2.5 GHz, with SEMPER GDT 90 V

3402.26.0006-EX

## Properties

- Broadband frequency operation from DC to 2.5 GHz
- Gas discharge tube replaceable and included
- DC/AC remote powering via coaxial same cable
- Surge current handling capability 30 kA once and 20 kA multiple
- Semper self-extinguishing functionality included



Product configuration	
Main path connectors	Port 1: unprotected, TNC jack (female) Port 2: protected, TNC jack (female)
Mounting and grounding	MH25 (bulkhead mounting)
Side of bulkhead	protected side

Interface and material data	
Housing material / plating	Brass / SUCOPLATE (R) Plating
Center contact, material / plating	Port 1: Copper Beryllium Alloy / Gold Plating (without Nickel underplating)
	Port 2: Copper Beryllium Alloy / Gold Plating (without Nickel underplating)

Electrical data	
Impedance	50 $\Omega$
Frequency frame	0 MHz to 2500 MHz
Return loss typical	$\geq 20$ dB
Insertion loss typical	$\leq 0.2$ dB
CW power frame	$\leq 26$ W
DC current	$\leq 2.5$ A at 48 V
	$\leq 4$ A at 27 V
	$\leq 6$ A at 24 V
	$\leq 13$ A at 17 V
Turn-off time	20 sec. typically at 2.0 A and 25°C ambient temperature
	< 40 sec. typically below 1 A and 25°C ambient temperature
Recovery time	7 sec. at 25°C ambient temperature
Residual pulse energy (typ.)	250 $\mu$ J (test pulse 4 kV 1.2/50 $\mu$ s; 2 kA 8/20 $\mu$ s)

**COAXIAL SURGE PROTECTOR DEVICE, GDT technology up to 2.5 GHz, with SEMPER GDT 90 V**

3402.26.0006-EX

<b>Electrical data</b>	
Surge current handling capability	30 kA single, 20 kA multiple (test pulse 8/20 µs)

<b>Electrical remarks</b>	
DC supply voltage	48 V
DC current	2.5 A
Gas tube	Yes DC, GDT included, replaceable, 9071.99.0648 (SEMPER, 90 V)

<b>Mechanical data</b>	
Weight	119 g
Mating cycles	500

<b>Environmental data</b>	
Operation temperature	-40 °C ... 85 °C
Storage temperature	-40 °C ... 85 °C
Ingress protection (IP Rating)	IP65
Thermal shock according	MIL-STD-202, Method 107, Cond. B
Vibration according	MIL-STD-202, Method 204, Cond. D
Moisture resistance according	MIL-STD-202, Method 106

<b>Ordering Information Table</b>	
Item number	Item description
84027271	3402.26.0006-EX

HUBER+SUHNER is certified by ISO 9001, ISO 14001, ISO 45001, IATF 16949, AS/EN 9100 and ISO/TS 22163-IRIS. Waiver: Facts and figures herein are for information only and do not represent any warranty of any kind.  
DOCUMENT PIM-P2002 / Date of publication: 06.03.2024 / uncontrolled copy