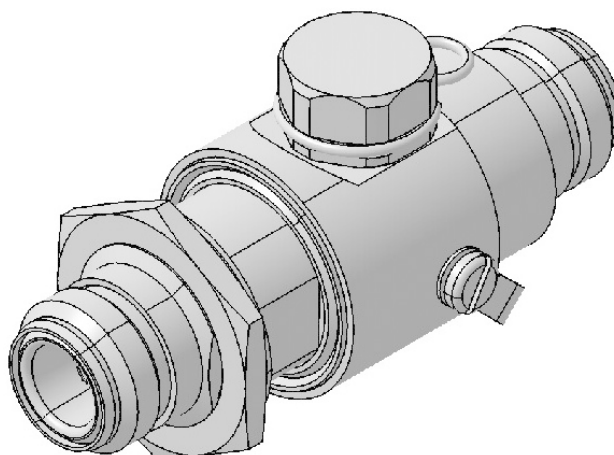


COAXIAL SURGE PROTECTOR DEVICE, GDT technology up to 2.5 GHz

3402.17.K

Properties

- Broadband frequency operation from DC to 2.5 GHz
- Gas discharge tube replaceable and not included
- DC/AC remote powering via coaxial same cable
- Surge current handling capability 30 kA once and 20 kA multiple
- Semper self-extinguishing functionality optional

**Product configuration**

Main path connectors	Port 1: unprotected, N jack (female) Port 2: protected, N jack (female)
Mounting and grounding	MH25 (bulkhead mounting)
Side of bulkhead	protected side

Material data

Housing material / plating	Brass / SUCOPLATE (R) Plating
Center contact, material / plating	Port 1: Copper Beryllium Alloy / Gold Plating (without Nickel underplating)
	Port 2: Copper Beryllium Alloy / Gold Plating (without Nickel underplating)

Electrical data

Impedance	50 Ω
Frequency frame	0 MHz to 2500 MHz
Return loss typical	20 dB
Insertion loss typical	0.2 dB
CW power frame	150 W

Electrical bands

	Range 1
Frequency range	0 MHz ... 1000 MHz
Return loss	26 dB
Insertion loss	0.1 dB

COAXIAL SURGE PROTECTOR DEVICE, GDT technology up to 2.5 GHz

3402.17.K

Electrical bands	
	Range 1
Power avg. / peak	150 W / -
Electrical remarks	
Surge current handling capability	30 single / 20 multiple kA (test pulse 8/20 μ s)
Residual pulse energy	350 μ J typically (test pulse 4 kV 1.2/50 μ s / 2 kA 8/20 μ s) main path - protected side
Gas tube	Yes DC, GDT not included
Mechanical data	
Weight	150 g
Mating cycles	500
Environmental data	
Operation temperature	-40 °C ... 85°C
Storage temperature	-40 °C ... 85°C
Ingress protection (IP Rating)	IP66
Ordering Information Table	
Item number	Item description
22646031	3402.17.K

HUBER+SUHNER is certified by ISO 9001, ISO 14001, ISO 45001, IATF 16949, AS/EN 9100 and ISO/TS 22163-IRIS. Waiver: Facts and figures herein are for information only and do not represent any warranty of any kind.
DOCUMENT PIM-P2006 / Date of publication: 07.11.2023 / uncontrolled copy