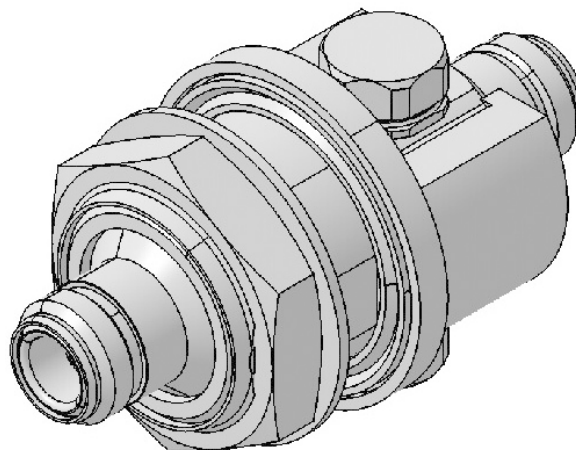


**COAXIAL SURGE PROTECTOR DEVICE, GDT technology up to 1.0 GHz**

3401.17.L

**Properties**

- Broadband frequency operation from DC to 1 GHz
- Gas discharge tube replaceable and not included
- DC/AC remote powering via coaxial same cable
- Surge current handling capability 30 kA once and 20 kA multiple
- Triaxial with 50 Ohms characteristic impedance



<b>Product configuration</b>	
Main path connectors	Port 1: unprotected, N jack (female) Port 2: protected, N jack (female)
Mounting and grounding	MH74 (bulkhead mounting)
Side of bulkhead	protected side
<b>Material data</b>	
Housing material / plating	Brass / SUCOPLATE (R) Plating
Center contact, material / plating	Port 1: Copper Beryllium Alloy / Gold Plating (without Nickel underplating)
	Port 2: Copper Beryllium Alloy / Gold Plating (without Nickel underplating)
<b>Electrical data</b>	
Impedance	50 Ω
Frequency frame	0 MHz to 1000 MHz
Return loss typical	20.8 dB
Insertion loss typical	0.1 dB
CW power frame	150 W
<b>Electrical remarks</b>	
Surge current handling capability	30 single / 20 multiple kA (test pulse 8/20 μs)
Residual pulse energy	350 μJ typically (test pulse 4 kV 1.2/50 μs / 2 kA 8/20 μs) main path - protected side
Gas tube	Yes DC, GDT not included

**COAXIAL SURGE PROTECTOR DEVICE, GDT technology up to 1.0 GHz**  
3401.17.L

<b>Mechanical data</b>	
Weight	330 g
Mating cycles	500

<b>Environmental data</b>	
Operation temperature	-40 °C ... 85°C
Storage temperature	-40 °C ... 85°C
Ingress protection (IP Rating)	IP20

<b>Ordering Information Table</b>	
Item number	Item description
22648512	3401.17.L

HUBER+SUHNER is certified by ISO 9001, ISO 14001, ISO 45001, IATF 16949, AS/EN 9100 and ISO/TS 22163-IRIS. Waiver: Facts and figures herein are for information only and do not represent any warranty of any kind.  
DOCUMENT PIM-P2026 / Date of publication: 07.11.2023 / uncontrolled copy