

Product Specifications

Part Numbers Information

Electrical Specifications

Voltage Rating: 250VAC
Operating Temperature: -55°C ~ 125°C

Standards

100mA-2.5A
3A-5A (125VAC ONLY)
3A-8A
Tested to UL 248-14 Standard. File E197390
Tested to CSA C22.2 No.248.14 Standard. File E197390



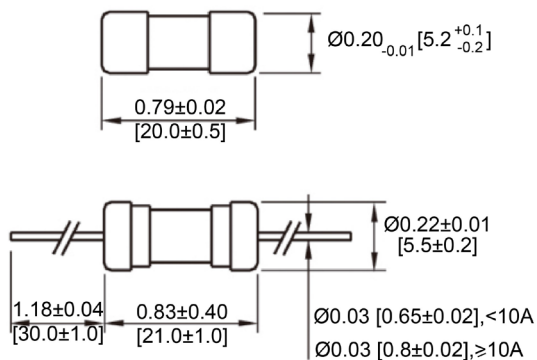
Interrupting Rating

10kA @125VAC (32mA-8A)
35A @250VAC (32mA-1A)
100A @250VAC (1.2A-3.5A)
200A @ 250VAC(4A-8A)
100A @125VAC (1A-15A) (PSE) (Cartridge Style)
500A @125VAC (1A-15A) (PSE) (Pigtail Style)
100A @250VAC (1A-15A) (PSE)
100A @ 250VAC (100mA-10A) KC

Material Specifications

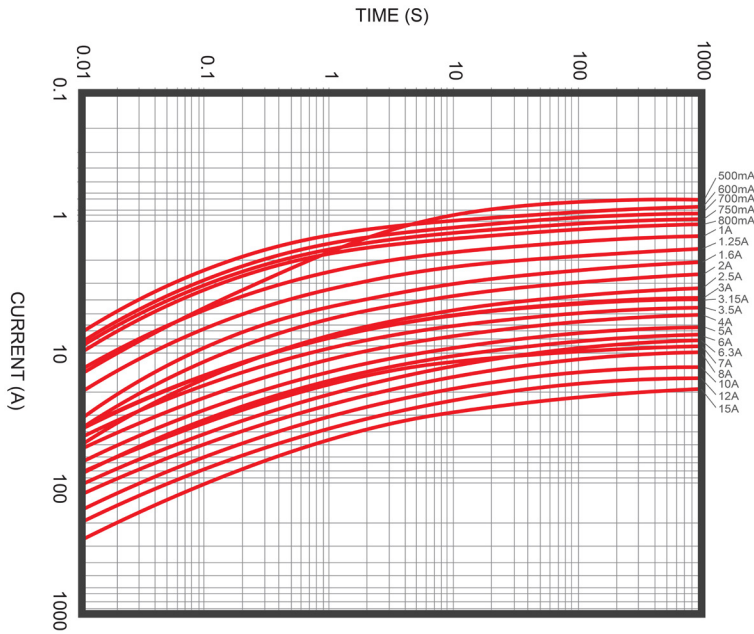
Body Material: Glass

Mechanical Dimensions: Inches [mm]



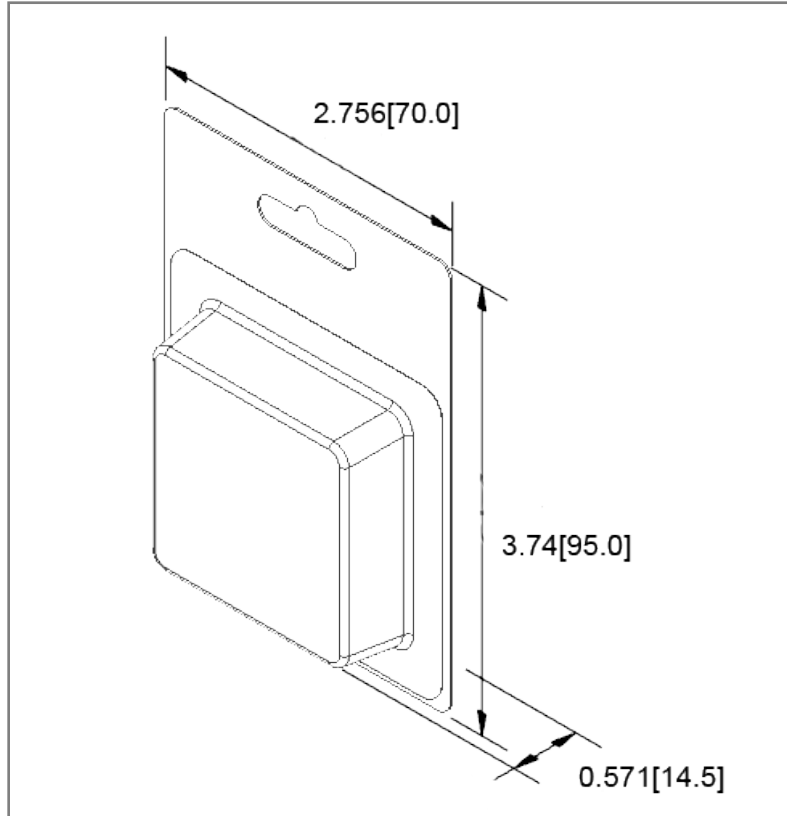
Cartridge P/N	Axial Lead P/N	Ampere Rating	I ² T Reference (A ² Sec)
TSC-100mA	TSC-P-100mA	100mA	0.03971
TSC-125mA	TSC-P-125mA	125mA	0.04963
TSC-150mA	TSC-P-150mA	150mA	0.1613
TSC-160mA	TSC-P-160mA	160mA	0.172
TSC-200mA	TSC-P-200mA	200mA	0.2224
TSC-250mA	TSC-P-250mA	250mA	0.278
TSC-300mA	TSC-P-300mA	300mA	0.4817
TSC-315mA	TSC-P-315mA	315mA	0.5257
TSC-350mA	TSC-P-350mA	350mA	0.9952
TSC-375mA	TSC-P-375mA	375mA	0.8734
TSC-400mA	TSC-P-400mA	400mA	1.2604
TSC-500mA	TSC-P-500mA	500mA	1.9567
TSC-600mA	TSC-P-600mA	600mA	0.504
TSC-630mA	TSC-P-630mA	630mA	0.566
TSC-700mA	TSC-P-700mA	700mA	0.7183
TSC-750mA	TSC-P-750mA	750mA	0.835
TSC-800mA	TSC-P-800mA	800mA	1.03
TSC-1A	TSC-P-1A	1A	2.242
TSC-1.2A	TSC-P-1.2A	1.2A	3.96
TSC-1.25A	TSC-P-1.25A	1.25A	4.07
TSC-1.5A	TSC-P-1.5A	1.5A	8.44
TSC-1.6A	TSC-P-1.6A	1.6A	9.8
TSC-2A	TSC-P-2A	2A	13.95
TSC-2.5A	TSC-P-2.5A	2.5A	24.49
TSC-3A	TSC-P-3A	3A	14.15
TSC-3.15A	TSC-P-3.15A	3.15A	14.35
TSC-3.5A	TSC-P-3.5A	3.5A	21.12
TSC-4A	TSC-P-4A	4A	30.8
TSC-5A	TSC-P-5A	5A	46.97
TSC-6A	TSC-P-6A	6A	69.59
TSC-6.3A	TSC-P-6.3A	6.3A	73.07
TSC-7A	TSC-P-7A	7A	104.5
TSC-8A	TSC-P-8A	8A	152
TSC-9A	TSC-P-9A	9A	206.8
TSC-10A	TSC-P-10A	10A	274.6
TSC-12A	TSC-P-12A	12A	387.9
TSC-15A	TSC-P-15A	15A	690.3

Time vs Percent of Rated Current

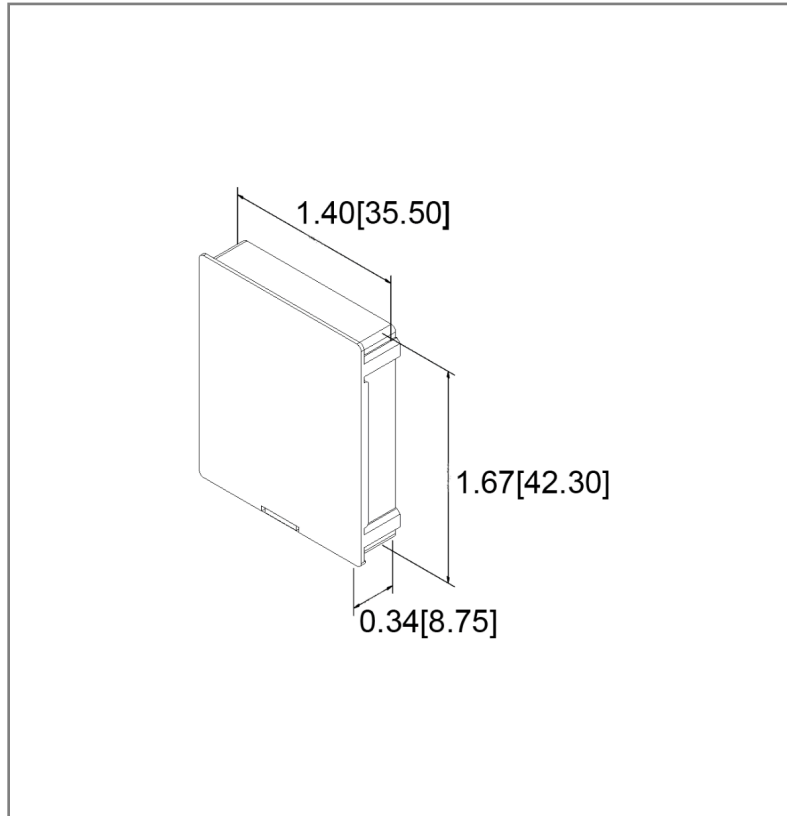


% of Rated Current	Min Hold Time	Max Hold Time
100%	4hr	-
135%	-	1hr
200%	-	120s

Blister Pack: Inches [mm]



Pill Box: Inches [mm]



Retail Pack Part Number Information

Ampere Rating	Retail Pack # Blister Card (5PCS)	Retail Pack # Pill Box (5PCS)
125mA	TSC-125mA-BP	TSC-125mA-BX
200mA	TSC-200mA-BP	TSC-200mA-BX
250mA	TSC-250mA-BP	TSC-250mA-BX
300mA	TSC-300mA-BP	TSC-300mA-BX
315mA	TSC-315mA-BP	TSC-315mA-BX
400mA	TSC-400mA-BP	TSC-400mA-BX
500mA	TSC-500mA-BP	TSC-500mA-BX
630mA	TSC-630mA-BP	TSC-630mA-BX
750mA	TSC-750mA-BP	TSC-750mA-BX
800mA	TSC-800mA-BP	TSC-800mA-BX
1A	TSC-1A-BP	TSC-1A-BX
1.25A	TSC-1.25A-BP	TSC-1.25A-BX
1.5A	TSC-1.5A-BP	TSC-1.5A-BX
1.6A	TSC-1.6A-BP	TSC-1.6A-BX
2A	TSC-2A-BP	TSC-2A-BX
2.5A	TSC-2.5A-BP	TSC-2.5A-BX
3A	TSC-3A-BP	TSC-3A-BX
3.15A	TSC-3.15A-BP	TSC-3.15A-BX
3.5A	TSC-3.5A-BP	TSC-3.5A-BX
4A	TSC-4A-BP	TSC-4A-BX
5A	TSC-5A-BP	TSC-5A-BX
6A	TSC-6A-BP	TSC-6A-BX
6.3A	TSC-6.3A-BP	TSC-6.3A-BX
7A	TSC-7A-BP	TSC-7A-BX
8A	TSC-8A-BP	TSC-8A-BX
10A	TSC-10A-BP	TSC-10A-BX
12A	TSC-12A-BP	TSC-12A-BX
15A	TSC-15A-BP	TSC-15A-BX

* Retail packs are for cartridge style fuses only

Rev Date of issue Revision Notes

Designed Approved

D	03-06-2024	Initial Drawing	RC	OF
---	------------	-----------------	----	----