

3-641150-5 ✓ ACTIVE



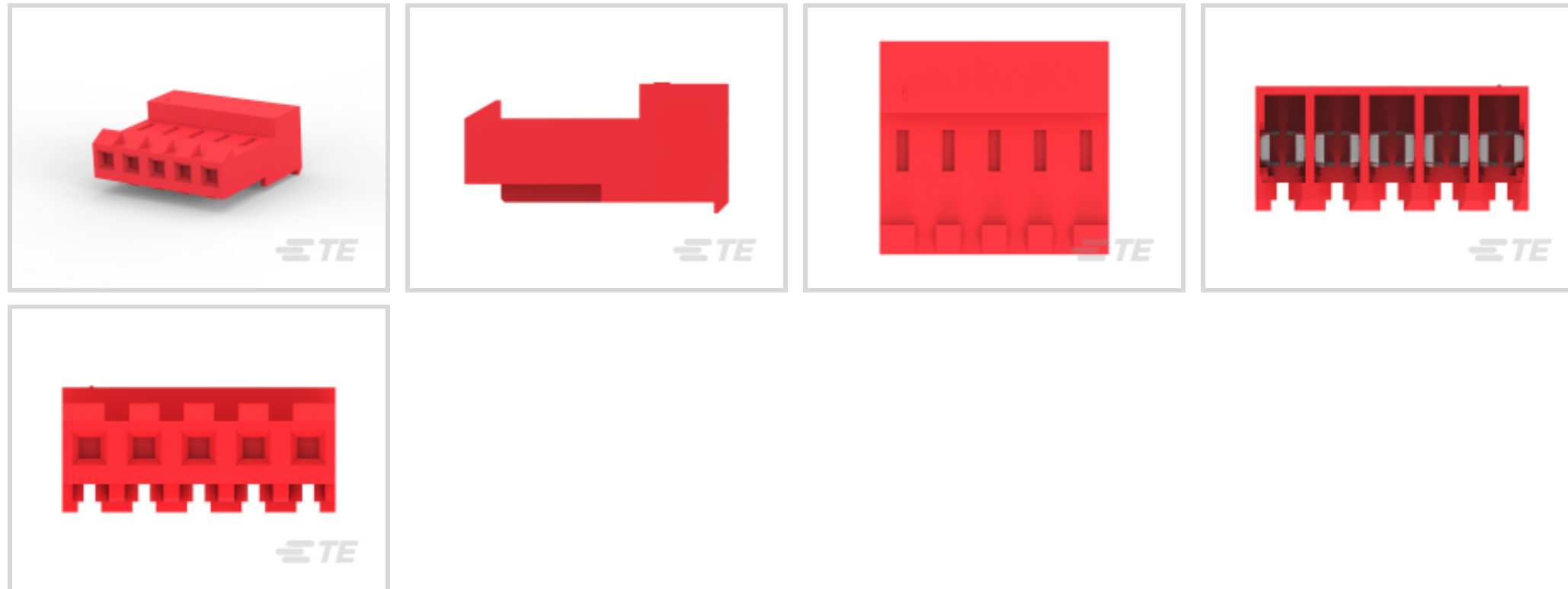
MTA 156

TE Internal #: 3-641150-5

Rectangular Power Connectors, Connector Assembly, Receptacle, Wire-to-Board, 5 Position, 3.96 mm [.156 in] Centerline, Wire & Cable, UL 94V-2, MTA 156

[View on TE.com >](#)

Connectors > Power Connectors > Rectangular Power > Rectangular Power Connectors



Rectangular Power Connector Type: **Connector Assembly**

Connector & Housing Type: **Receptacle**

Connector System: **Wire-to-Board**

Number of Positions: **5**

Centerline (Pitch): **3.96 mm [.156 in]**

Features

Product Type Features

| | |
|------------------------------------|--------------------|
| Compatible With Discrete Wire Type | Stranded |
| Rectangular Power Connector Type | Connector Assembly |
| Connector & Housing Type | Receptacle |
| Connector System | Wire-to-Board |
| Sealable | No |
| Connector & Contact Terminates To | Wire & Cable |

Configuration Features

| | |
|---------------------------|---|
| Number of Positions | 5 |
| Number of Power Positions | 5 |
| Number of Rows | 1 |

Electrical Characteristics

| | |
|-------------------|---------|
| Operating Voltage | 600 VAC |
|-------------------|---------|

Body Features

| | |
|------------------|-----|
| Cable Exit Angle | 90° |
|------------------|-----|



| | |
|---|---|
| Connector Profile | Standard |
| Contact Features | |
| Contact Layout | Inline |
| Contact Underplating Material Thickness | 1.27 - 1.77 μm [1.27 - 1.77 μin] |
| Wire Contact Termination Area Plating Thickness | 2.03 - 5.08 μm [80 - 200 μin] |
| Contact Mating Area Plating Material | Gold, Gold Flash over Palladium Nickel |
| Contact Underplating Material | Nickel |
| Contact Base Material | Copper Alloy |
| Contact Current Rating (Max) | 7 A |
| Contact Retention Within Housing | With |
| Contact Type | Receptacle |
| Wire Contact Termination Area Plating Material | Tin |
| Contact Mating Area Plating Material Thickness | .076 μm [3 μin] |
| Termination Features | |
| Termination Method to Wire & Cable | Insulation Displacement (IDC) |
| Mechanical Attachment | |
| Strain Relief | With |
| Mating Retention | With |
| Mating Alignment | Without |
| Contact Retention Type Within Housing | Locking Lance |
| PCB Mount Alignment | Without |
| Panel Mount Feature | Without |
| PCB Mount Retention | Without |
| Mating Retention Type | Locking Ramp |
| Connector Mounting Type | Board Mount |
| Housing Features | |
| Wire & Cable IDC Installation Type | Closed End |
| Centerline (Pitch) | 3.96 mm[.156 in] |
| Housing Color | Red |
| Housing Material | Nylon |
| Dimensions | |
| Connector Height | 9.02 mm[.355 in] |



| | |
|----------------|------------------|
| Product Length | 19.81 mm[.78 in] |
|----------------|------------------|

| | |
|--------------------------------------|------------------|
| Compatible Insulation Diameter Range | 2.41 mm[.095 in] |
|--------------------------------------|------------------|

| | |
|-----------|-------------------------|
| Wire Size | .3 - .4 mm ² |
|-----------|-------------------------|

Usage Conditions

| | |
|-----------------------------|----------------------------|
| Operating Temperature Range | -55 - 105 °C[-67 - 221 °F] |
|-----------------------------|----------------------------|

Operation/Application

| | |
|---------------------|-------|
| Circuit Application | Power |
|---------------------|-------|

Industry Standards

| | |
|------------|--------------------|
| CSA Rating | Certified, LR 7189 |
|------------|--------------------|

| | |
|-----------|------------|
| UL Rating | Recognized |
|-----------|------------|

| | |
|---|---------|
| Compatible With Agency/Standards Products | CSA, UL |
|---|---------|

| | |
|---|-----------|
| Compatible With Approved Standards Products | UL E28476 |
|---|-----------|

| | |
|------------------------|----------|
| UL Flammability Rating | UL 94V-2 |
|------------------------|----------|

| | |
|------------------|-------------------------------|
| Glow Wire Rating | Standard Part - Not Glow Wire |
|------------------|-------------------------------|

Packaging Features

| | |
|--------------------|-----|
| Packaging Quantity | 250 |
|--------------------|-----|

| | |
|------------------|-----|
| Packaging Method | Bag |
|------------------|-----|

Product Compliance

[For compliance documentation, visit the product page on TE.com>](#)

| | |
|------------------------------|-----------|
| EU RoHS Directive 2011/65/EU | Compliant |
|------------------------------|-----------|

| | |
|-----------------------------|-----------|
| EU ELV Directive 2000/53/EC | Compliant |
|-----------------------------|-----------|

| | |
|---|---|
| China RoHS 2 Directive MIIT Order No 32, 2016 | No Restricted Materials Above Threshold |
|---|---|

| | |
|--|---|
| EU REACH Regulation (EC) No. 1907/2006 | Current ECHA Candidate List: JAN 2024 (240) Candidate List Declared Against: JAN 2024 (240) Does not contain REACH SVHC |
|--|---|

| | |
|-----------------|--|
| Halogen Content | BFR/CFR/PVC Free, but Br/Cl >900 ppm in other sources. |
|-----------------|--|

| | |
|---------------------------|--|
| Solder Process Capability | Not applicable for solder process capability |
|---------------------------|--|

Product Compliance Disclaimer

This information is provided based on reasonable inquiry of our suppliers and represents our current actual knowledge based on the information they provided. This information is subject to change. The part numbers that TE has identified as EU RoHS compliant have a maximum concentration of 0.1% by weight in homogenous materials for lead, hexavalent

chromium, mercury, PBB, PBDE, DBP, BBP, DEHP, DIBP, and 0.01% for cadmium, or qualify for an exemption to these limits as defined in the Annexes of Directive 2011/65/EU (RoHS2). Finished electrical and electronic equipment products will be CE marked as required by Directive 2011/65/EU. Components may not be CE marked. Additionally, the part numbers that TE has identified as EU ELV compliant have a maximum concentration of 0.1% by weight in homogenous materials for lead, hexavalent chromium, and mercury, and 0.01% for cadmium, or qualify for an exemption to these limits as defined in the Annexes of Directive 2000/53/EC (ELV). Regarding the REACH Regulation, the information TE provides on SVHC in articles for this part number is based on the latest European Chemicals Agency (ECHA) 'Guidance on requirements for substances in articles' posted at this URL: <https://echa.europa.eu/guidance-documents/guidance-on-reach>

Compatible Parts



TE Part # 58074-1
MTA 50/100/156 MANUAL TOOL FRAME



TE Part # 640551-5
05P MTA156 COVER



TE Part # 3-641119-5
05P MTA156 HDR ASSY FL/ST LF



TE Part # 640643-5
05P MTA156 COVER F/T



TE Part # 643495-3
05P MTA156 HDR ASSY W/O#2



TE Part # 643495-2
05P MTA156 HDR ASSY W/O#2&4



TE Part # 643495-1
05P MTA156 HDR ASSY W/O#4



TE Part # 643067-5
05P MTA156 MOLDED COVER



TE Part # 643071-5
05P MTA156 FD-THRU COVER



TE Part # 58247-1
MTA 156 CRIMP HEAD REPAIR DISCRETE



TE Part # 59804-1
MAINTENANCE TOOL



TE Part # 58247-3
MTA 156 CRIMP HEAD PRODUCTION RBBN CABLE



TE Part # 3-641120-5
05P MTA156 HDR ASSY FL/ST LF



TE Part # 3-641121-5
05P MTA156 HDR ASSY FL/RA LF



TE Part # 3-644766-5
05P MTA156 HDR ASSY STR SQ LF



TE Part # 3-644768-5
05P MTA156 HDR ASSY F/L SQ LF



TE Part # 58247-2
MTA 156 CRIMP HEAD PRODUCTION DISCRETE

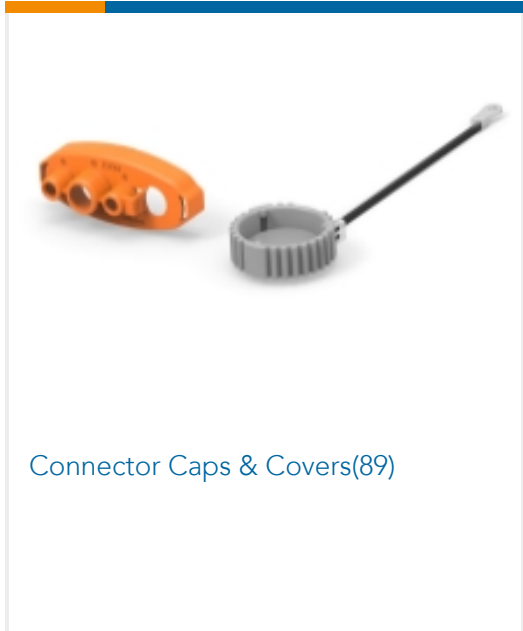


TE Part # 641119-5
05P MTA156 HDR ASSY FL/ST 15AU

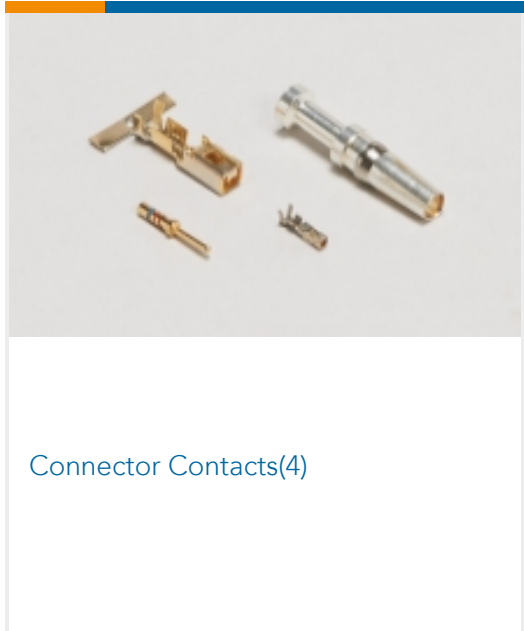


TE Part # 643495-4
05P MTA156 HDR ASSY W/O#3

Also in the Series | **MTA 156**



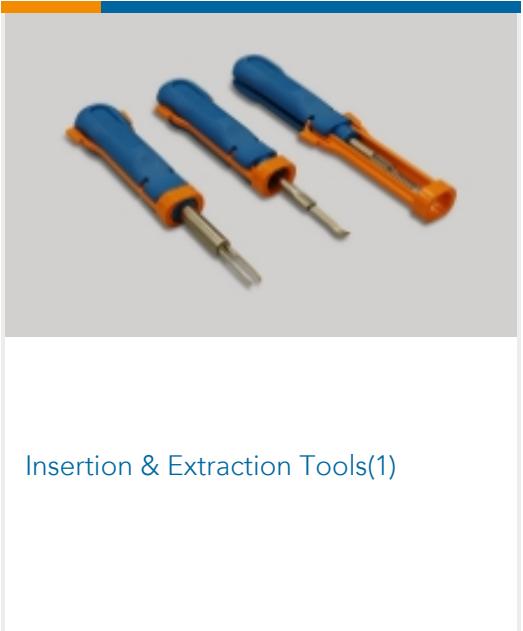
Connector Caps & Covers(89)



Connector Contacts(4)



Connector Hardware(2)



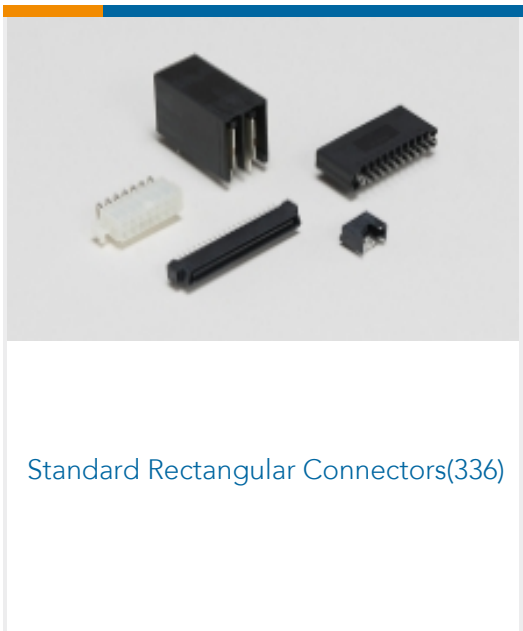
Insertion & Extraction Tools(1)



PCB Headers & Receptacles(314)



Rectangular Power Connectors(691)



Standard Rectangular Connectors(336)

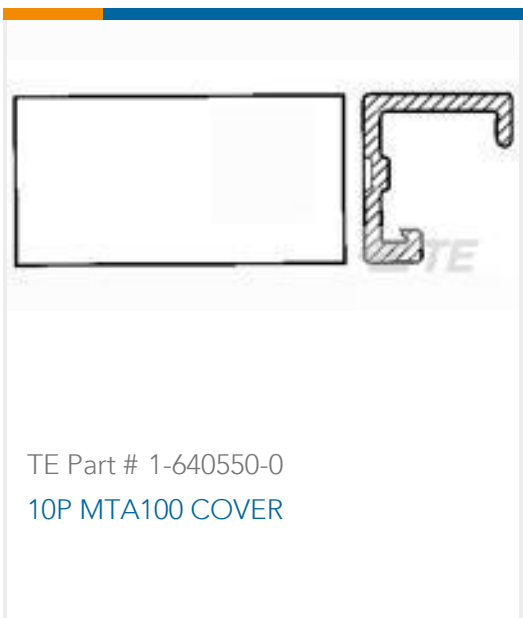
Customers Also Bought



TE Part # M902-2162
BKSHL, 6SZ, CBL SZ .300-.430, HD10



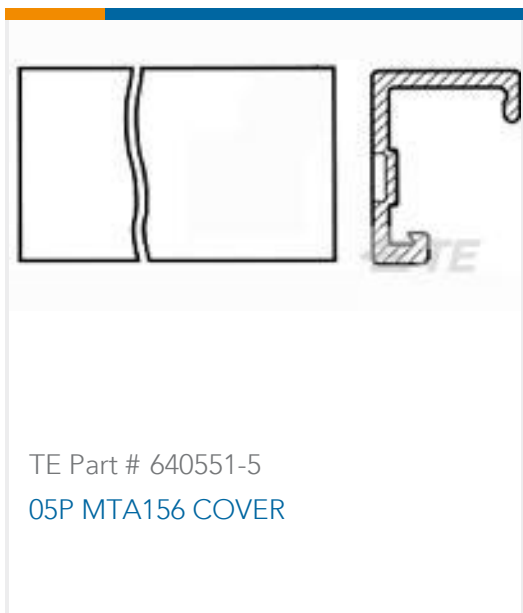
TE Part # DT06-6S-CE02
PLG, 6P, BLK, E



TE Part # 1-640550-0
10P MTA100 COVER



TE Part # 4-644042-0
10P MTA100 CONN ASSYLF



TE Part # 640551-5
05P MTA156 COVER



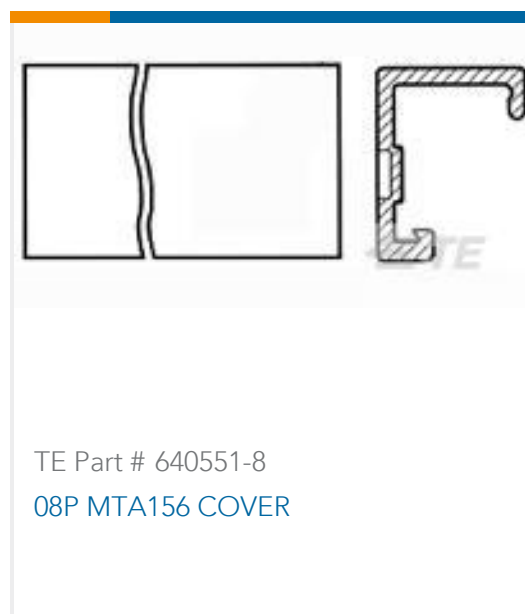
TE Part # 3-641208-8
08P MTA156 HDR ASSY FL ST LF



TE Part # 3-641217-8
08P MTA156 CONN ASSY 18AWG ORA



TE Part # 3-641119-5
05P MTA156 HDR ASSY FL/ST LF



Documents

Product Drawings

05P MTA156 ASSY 22AWG RED LF

English

CAD Files

3D PDF

3D

Customer View Model

[ENG_CVM_CVM_3-641150-5_T.2d_dxf.zip](#)

English

Customer View Model

[ENG_CVM_CVM_3-641150-5_T.3d_igs.zip](#)

English

Customer View Model

[ENG_CVM_CVM_3-641150-5_T.3d_stp.zip](#)

English

By downloading the CAD file I accept and agree to the [Terms and Conditions](#) of use.

Product Specifications

Application Specification

Japanese

Application Specification

English

MTA 156 Ribbon Cable Connector Assemblies (English And Spanish)

English

MTA 156 Ribbon Cable Connector Assemblies (English And Spanish)

Japanese

Agency Approvals

Agency Approval Document

English