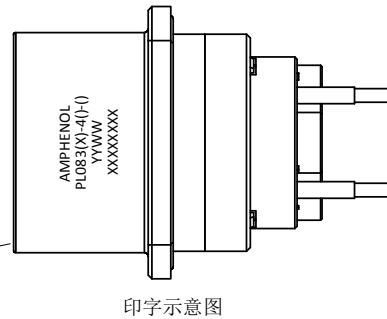
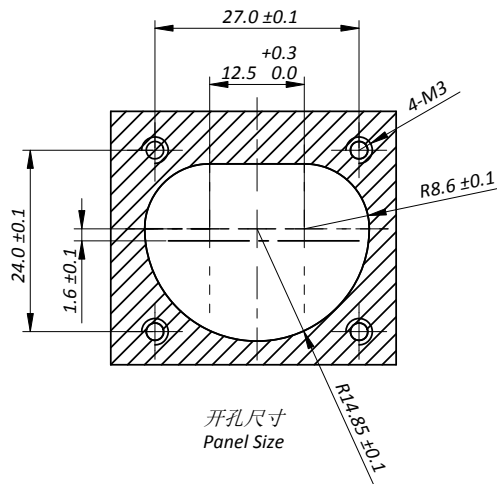
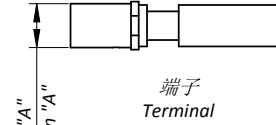
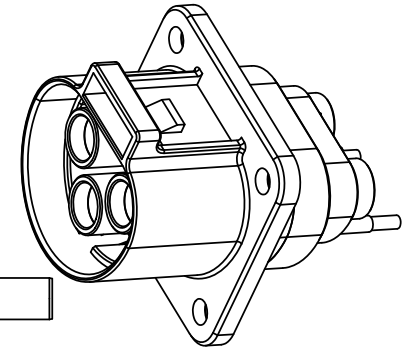
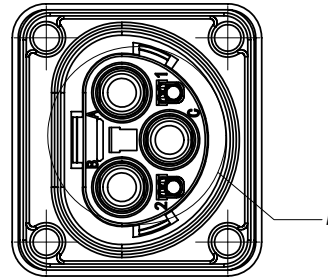
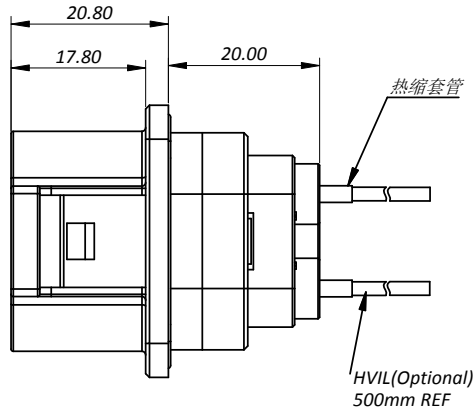
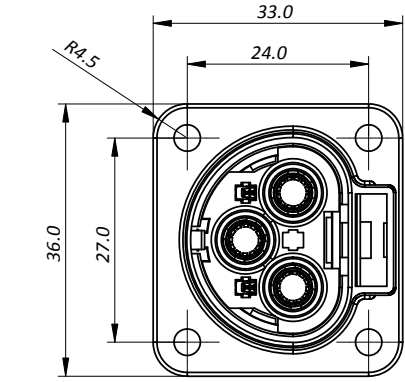


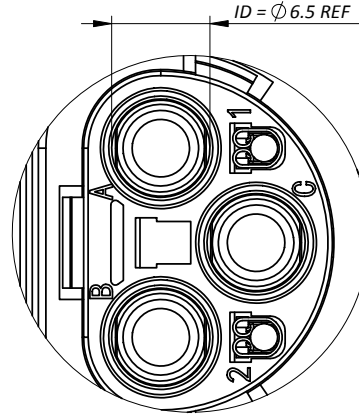
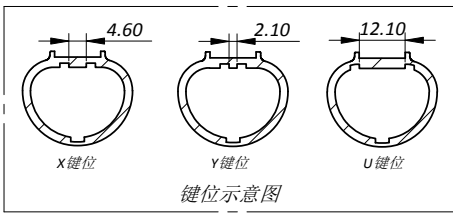
THIS DRAWING IS SUPPLIED FOR INFORMATION ONLY. DESIGN FEATURES, SPECIFICATIONS AND PERFORMANCE DATA SHOWN HEREON ARE THE PROPERTY OF THE AMPHENOL CORPORATION. NO RIGHTS OF REPRODUCTION ARE IMPLIED. ALL DIMENSIONS ARE SUBJECT TO NORMAL MANUFACTURING VARIATIONS.

CUSTOMER DRAWING

REVISIONS				
REV#	REVISION ACTION	REV. BY:	APPR. BY:	DATE
A	Add Logo View.	Fred	JL	09/07/2018



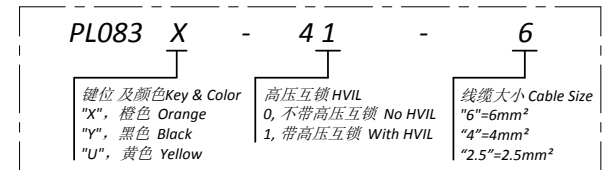
印字示意图



局部视图P 比例 2:1

- 规格参数(Spec.):
- 1.工作温度 Operating temperature: -40°C~+125°C.
 - 2.额定电流 Rating current: 2.5mm²: 25A, 4mm²: 40A, 6mm²: 45A.
 - 3.额定电压 Rating voltage: 1000 VDC (Max) / 600 VAC (Max) .
 - 4.耐电压 Dielectric withstanding voltage: 5000 VDC / 2200 VAC.
 - 5.防护等级 Protection class: IP67(mated condition).
 - 6.机械寿命 Mating cycle: 100 Min.
 - 7.带高压互锁 Electrical interlock (HVIL)(Optional).
 - 8.螺丝安装扭矩 Screw Assembly Torque on Flange : 0.7~1.0 Nm.

订购信息 Ordering Information



Standard Part List(With HVIL)

Model NO.	Dimension "A"	Accepted Wire
PL083X-41-2.5	Ø 3.70mm	2.5mm ²
PL083Y-41-2.5		
PL083U-41-2.5		
PL083X-41-4	Ø 4.57mm	4mm ²
PL083Y-41-4		
PL083U-41-4		
PL083X-41-6	Ø 5.80mm	6mm ²
PL083Y-41-6		
PL083U-41-6		

Standard Part List(Without HVIL)

Model NO.	Dimension "A"	Accepted Wire
PL083X-40-2.5	Ø 3.70mm	2.5mm ²
PL083Y-40-2.5		
PL083U-40-2.5		
PL083X-40-4	Ø 4.57mm	4mm ²
PL083Y-40-4		
PL083U-40-4		
PL083X-40-6	Ø 5.80mm	6mm ²
PL083Y-40-6		
PL083U-40-6		



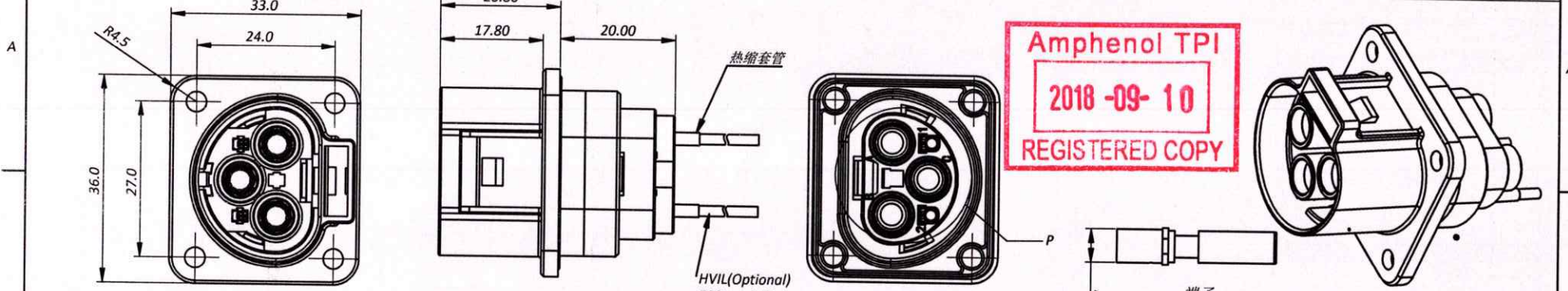
Amphenol Technical Products International Asia.

第三角投影 THIRD ANGLE PROJECTION		页面 SHEET	幅面 SIZE	版次 REV.	比例 SCALE	PART NAME:
1 OF 1		A4	A			PwrLok 3.6mm 3POS Rcpt Conn
签名 SIGNATURE		日期 DATE		UNLESS OTHERWISE SPECIFIED		
制图 DRAWN Fred		09/07/2018		1) All dimensions are in metric(mm). 2) Tolerances are as follows: 1.PL DEC ± 1.00 2.PL DEC ± 0.50 3.PL DEC ± 0.20		
审核 CHECKED				Angles ±1°		
批准 APPROVAL				DWG NO: PLO83X-40		
				CUST PART #		CUST REV.
				N/A		-

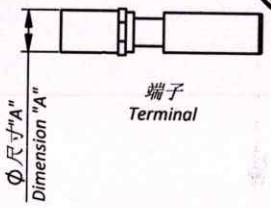
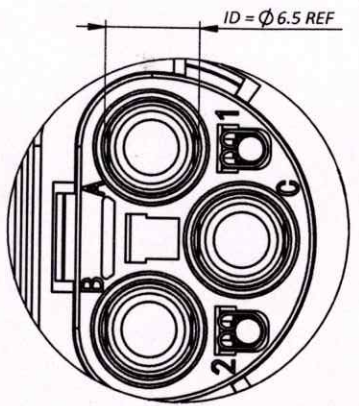
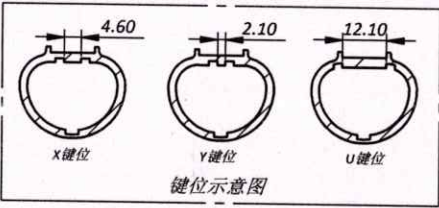
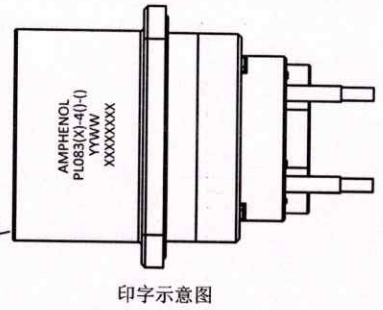
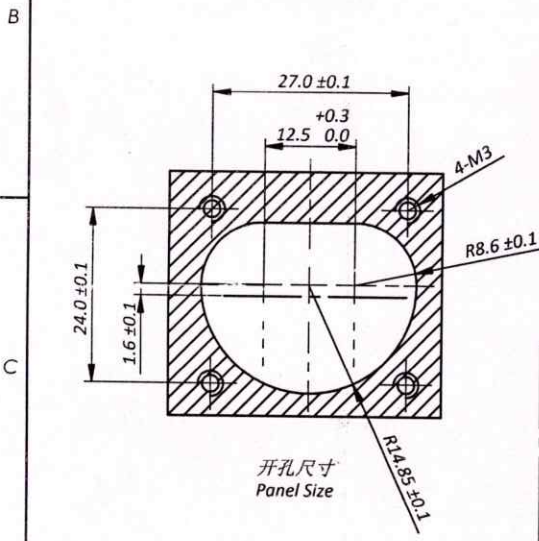
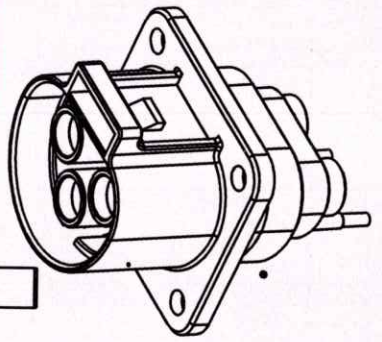
THIS DRAWING IS SUPPLIED FOR INFORMATION ONLY. DESIGN FEATURES, SPECIFICATIONS AND PERFORMANCE DATA SHOWN HEREON ARE THE PROPERTY OF THE AMPHENOL CORPORATION. NO RIGHTS OF REPRODUCTION ARE IMPLIED. ALL DIMENSIONS ARE SUBJECT TO NORMAL MANUFACTURING VARIATIONS.

CUSTOMER DRAWING

REVISIONS				
REV#	REVISION ACTION	REV.BY:	APPR.BY:	DATE
A	Add Logo View.	Fred	JL	09/07/2018



Amphenol TPI
2018-09-10
REGISTERED COPY



- 规格参数(Spec.):
1. 工作温度 Operating temperature: -40°C~+125°C.
 2. 额定电流 Rating current:
2.5mm²: 25A, 4mm²: 40A, 6mm²: 45A.
 3. 额定电压 Rating voltage: 1000 VDC (Max) / 600 VAC (Max).
 4. 耐电压 Dielectric withstanding voltage: 5000 VDC / 2200 VAC.
 5. 防护等级 Protection class: IP67 (mated condition).
 6. 机械寿命 Mating cycle: 100 Min.
 7. 带高压互锁 Electrical interlock (HVIL) (Optional).
 8. 螺丝安装扭矩 Screw Assembly Torque on Flange : 0.7~1.0 Nm.

订购信息 Ordering Information



Standard Part List(With HVIL)

Model NO.	Dimension "A"	Accepted Wire
PL083X-41-2.5	Ø 3.70mm	2.5mm ²
PL083Y-41-2.5		
PL083U-41-2.5		
PL083X-41-4	Ø 4.57mm	4mm ²
PL083Y-41-4		
PL083U-41-4		
PL083X-41-6	Ø 5.80mm	6mm ²
PL083Y-41-6		
PL083U-41-6		

Standard Part List(Without HVIL)

Model NO.	Dimension "A"	Accepted Wire
PL083X-40-2.5	Ø 3.70mm	2.5mm ²
PL083Y-40-2.5		
PL083U-40-2.5		
PL083X-40-4	Ø 4.57mm	4mm ²
PL083Y-40-4		
PL083U-40-4		
PL083X-40-6	Ø 5.80mm	6mm ²
PL083Y-40-6		
PL083U-40-6		



Amphenol Technical Products International Asia.

第三角投影 THIRD ANGLE PROJECTION	页面 SHEET	幅面 SIZE	版次 REV.	比例 SCALE	PART NAME: PwrLok 3.6mm 3POS Rcpt Conn
1 OF 1	A4	A			DWG NO: PL083X-40
签名 SIGNATURE Fred	日期 DATE 09/07/2018	UNLESS OTHERWISE SPECIFIED 1) All dimensions are in metric (mm). 2) Tolerances are as follows: 1.PL DEC ± 1.00 2.PL DEC ± 0.50 3.PL DEC ± 0.20			CUST PART # N/A
制图 DRAWN	审核 CHECKED	批准 APPROVAL	Angles ±1°		CUST REV. -