



MEAS | MEAS FX29

TE Internal #: 20009605-06

TE Internal Description: FX292X-100A-0050-L

Compact Compression Load Cell

[View on TE.com >](#)

Sensors > Force Sensors > Force Sensor Elements > Compact Compression Load Cell



Force Sensor Type: OEM Compression Load Cells

Full Scale Range: 50 lbf

Operating Temperature Range: 0 - 50 °C [ 32 - 122 °F ]

Output Signal Type: 20 mV/V

[All Compact Compression Load Cell \(46\)](#)

## Features

### Product Type Features

|                   |                            |
|-------------------|----------------------------|
| Force Sensor Type | OEM Compression Load Cells |
|-------------------|----------------------------|

### Electrical Characteristics

|                      |        |
|----------------------|--------|
| Supply Voltage Range | 5 VDC  |
| Full Scale Range     | 50 lbf |

### Usage Conditions

|                             |                        |
|-----------------------------|------------------------|
| Accuracy                    | ±1 % of FS             |
| Operating Temperature Range | 0 - 50 °C[32 - 122 °F] |

### Operation/Application

|                    |         |
|--------------------|---------|
| Output Signal Type | 20 mV/V |
|--------------------|---------|

### Other

|                   |              |
|-------------------|--------------|
| Zero Shift in CTR | ±.05 % of FS |
| Sensitivity Shift | ±.05 % of FS |
| Force Direction   | Compression  |

## Product Compliance

[For compliance documentation, visit the product page on TE.com>](#)

|                              |                           |
|------------------------------|---------------------------|
| EU RoHS Directive 2011/65/EU | Compliant with Exemptions |
|------------------------------|---------------------------|

EU ELV Directive 2000/53/EC

Compliant with Exemptions

China RoHS 2 Directive MIIT Order No 32, 2016

Restricted Materials Above Threshold

EU REACH Regulation (EC) No. 1907/2006

Current ECHA Candidate List: JAN 2024 (240)

Candidate List Declared Against: JAN 2024 (240)

SVHC > Threshold:

2-methyl-1-(4-methylthiophenyl)-2-morpholinopropan-1-one (.14% in Component Part)

Halogen Content

Not Yet Reviewed for halogen content

Solder Process Capability

Not reviewed for solder process capability

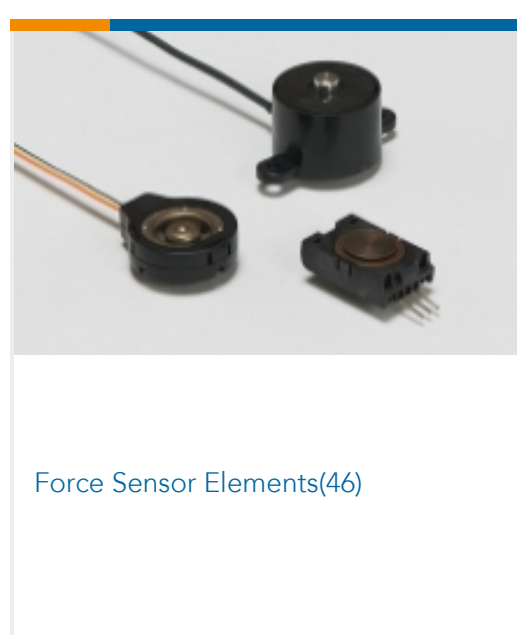
Product Compliance Disclaimer

This information is provided based on reasonable inquiry of our suppliers and represents our current actual knowledge based on the information they provided. This information is subject to change. The part numbers that TE has identified as EU RoHS compliant have a maximum concentration of 0.1% by weight in homogenous materials for lead, hexavalent chromium, mercury, PBB, PBDE, DBP, BBP, DEHP, DIBP, and 0.01% for cadmium, or qualify for an exemption to these limits as defined in the Annexes of Directive 2011/65/EU (RoHS2). Finished electrical and electronic equipment products will be CE marked as required by Directive 2011/65/EU. Components may not be CE marked. Additionally, the part numbers that TE has identified as EU ELV compliant have a maximum concentration of 0.1% by weight in homogenous materials for lead, hexavalent chromium, and mercury, and 0.01% for cadmium, or qualify for an exemption to these limits as defined in the Annexes of Directive 2000/53/EC (ELV). Regarding the REACH Regulation, the information TE provides on SVHC in articles for this part number is based on the latest European Chemicals Agency (ECHA) 'Guidance on requirements for substances in articles' posted at this URL: <https://echa.europa.eu/guidance-documents/guidance-on-reach>

## Compatible Parts



## Also in the Series | MEAS FX29




## Customers Also Bought



TE Part # 20009605-20  
Compact Compression Load Cell



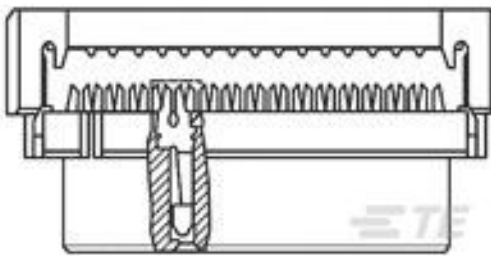
TE Part # 103653-3  
04 MTE SHRD PIN HSG SR LATCH



TE Part # 5-104506-4  
MTE PIN 28-32 AWG PLTD



TE Part # 103906-1  
02 MTE HDR SRRA LATCH .100CL



TE Part # 1-111626-9  
20, 2MM, 30 DP, LEAD FREE



TE Part # 4-2176610-3  
EP 1W (SS) 56R 5%

## Documents

### Datasheets & Catalog Pages

[FX29 COMPRESSION LOAD CELL](#)

English