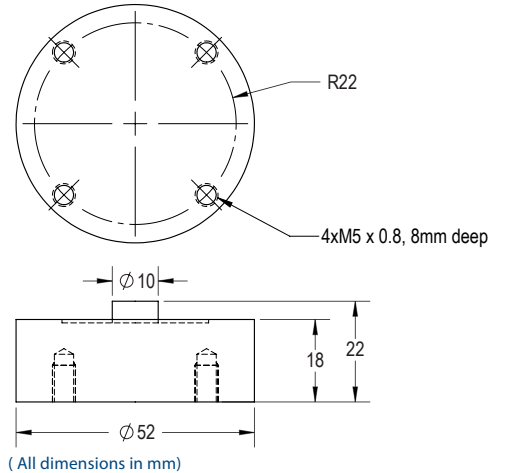


RSB2 Button Load Cell



Wiring Information

Cable Color Code	
Red	+ Excitation
Black	- Excitation
Green	+ Signal
White	- Signal

Ordering Information

Multiple Load Cell Capacities	
RSB2	Part No.
25 kilogram	RSB2-25M-S
50 kilogram	RSB2-50M-S
100 kilogram	RSB2-100M-S
250 kilogram	RSB2-250M-S
500 kilogram	RSB2-500M-S
1000 kilogram	RSB2-01KM-S

Calibration Options

*C01	Compression
------	-------------

RSB3 Load Cell (Threaded Studs)



For applying tensile loads or to use in tension and compression mode, use the RSB3 load cell which has a similar geometry and dimensions. These are available in 50 kg, 100 kg, 200 kg and 500 kg capacities.

Accuracy Specifications

Accuracy	
Non-linearity	$\pm 0.05\%$ of Full Scale
Hysteresis	$\pm 0.05\%$ of Full Scale
Non-repeatability	$\pm 0.05\%$ of Full Scale

Load Cell Specifications

Zero Balance	$\pm 2\%$
Safe Overload	to 150% of capacity (300% Ultimate Overload)
Rated Excitation	5 - 10 VDC
Full Scale Output	2 mV/V
Connections	9ft Cable
Input Impedance	$750 \pm 30 \Omega$
Output Impedance	$700 \pm 5 \Omega$
Insulation	$> 2,000 M\Omega$
Creep, in 30 min	$\pm 0.05\%$ of Load
Operating Temperature Range	-20°C to 60°C with TARE
Compensated Temperature Range	-10°C to 40°C with TARE
Temperature Effect on Output	0.02% of Full Scale/ 10°C
Temperature Effect on Zero	0.05% of Full Scale/ 10°C
Seal Type	IP66

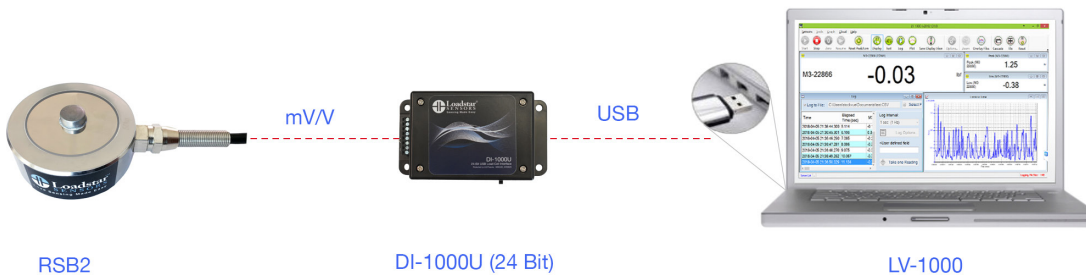
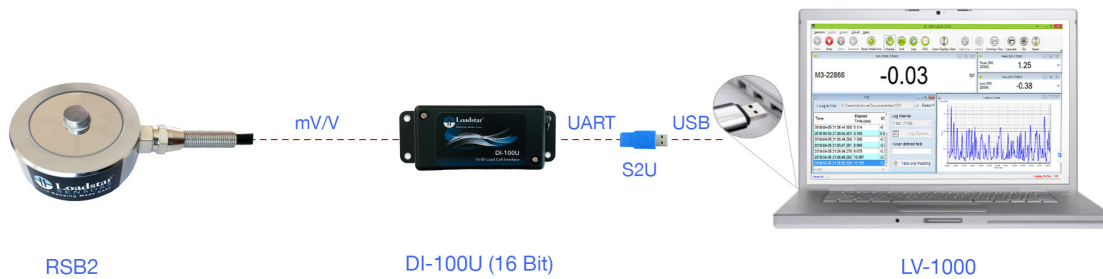
Compatible Accessories

Recommended Interfaces			
			
USB Interface	Wireless Interface	Analog Interface	Touchscreen Display
1 Channel: DI-100U (40 Hz) DI-100UHS (250 Hz) DI-1000U (60 Hz) DI-1000UHS (500 Hz) DI-10000UHS-1K (1 KHz) DI-10000UHS-10K (50 KHz)	DI-1000ZP DI-1000WiFi DI-1000BLE	AI-1000 (0-5 VDC) AI-1000CV (0-5 VDC, 4-20 mA)	DS-3000Pro-1 (1 Channel) DS-3000Pro-4 (4 Channel)
4 Channel: DI-400U (40 Hz) DI-400UHS (250 Hz)			

Wireless Load Cell Configuration



USB Load Cell Configuration



Analog Load Cell Configuration



Load Cell with LED Display

