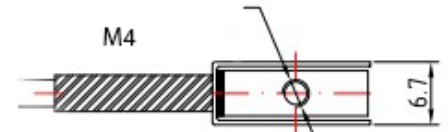
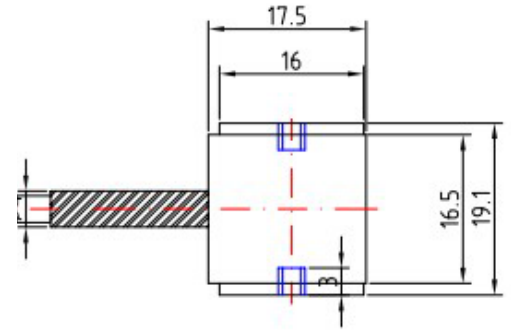


RES2 S-Beam Jr. Load Cell with Overload Protection

Dimensions



Accuracy Specifications

| Accuracy | |
|-------------------|----------------------|
| Non-linearity | ± 0.5% of Full Scale |
| Hysteresis | ± 0.5% of Full Scale |
| Non-repeatability | ± 0.5% of Full Scale |

Load Cell Specifications

| | |
|-------------------------------|--|
| Zero Balance | ± 2% |
| Safe Overload | to 150% of capacity (300% Ultimate Overload) |
| Rated Excitation | 5 - 10 VDC |
| Full Scale Output | 2 mv/V ± 10% |
| Connections | 9ft Cable |
| Input Impedance | 350 ± 10 Ohm |
| Output Impedance | 350 ± 3 Ohm |
| Insulation | > 5,000 MΩ |
| Creep, in 30 minutes | ± 0.5% of Full Scale |
| Operating Temperature Range | -20°C to 60°C with TARE |
| Compensated Temperature Range | -10°C to 40°C with TARE |
| Temperature Effect on Output | ± 0.5% / 10°C of Load |
| Temperature Effect on Zero | ± 0.5% / 10°C of Rated Output |

Compatible Accessories

Recommended Interfaces



DI-100U/DI-1000U
Digital Load Cell Interface



DI-1000Z
Wireless Load Cell Interface



AI-1000
Signal Conditioner



RD-1000
Resistive Load Cell Display

Wiring Information

| Cable Color Code | |
|------------------|--------------|
| Red | + Excitation |
| Black | - Excitation |
| Green | + Signal |
| White | - Signal |

Ordering Information

| Multiple Load Cell Capacities With Overload Protection | |
|---|-------------|
| RES2 | Part No. |
| 5 kg | RES2-005M-S |
| 10 kg | RES2-010M-S |
| 50 kg | RES2-050M-S |

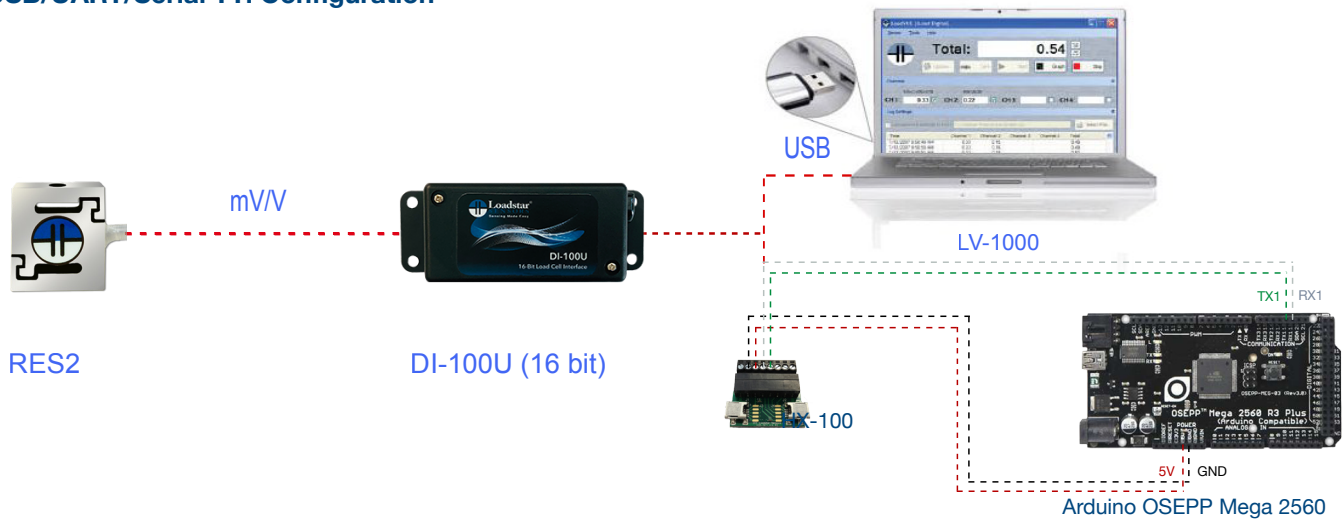
Calibration Options

| | |
|------|-------------|
| *C01 | Compression |
| *C02 | Tension |
| *C03 | Universal |

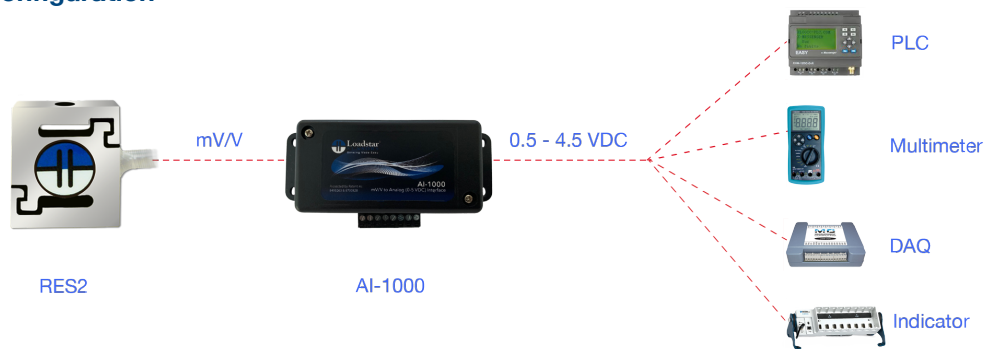
Wireless Load Cell Configuration



USB/UART/Serial TTI Configuration



Analog Load Cell Configuration



Four Load Cell Configurations

