

## RSF150 SERIES

### COMPACT INTERNAL FITTING VERTICAL SWITCH



The RSF150 series are compact vertically mounted devices with a single switch point. Mounting is either from the top or bottom of a tank from the inside, so requires access to the inside of the tank.

These have M12 circular connectors for electrical connection.

Cables are available for use with M12 connectors.

Typical applications include vending machines, printing systems and chemical dosing equipment.

These can be manufactured in a variety of plastics, with a choice of gasket materials, to suit most commonly used liquids.

The switch action may be reversed by removing the float, inverting it, then refitting to the stem.

#### Features

- Electrical connection via M12 connector
- Available in Nylon, Polypropylene, PPS & PVDF
- 25VA & 100VA versions
- Many variants are UL recognised components File No. E171218
- WRAS & NSF approved versions

## SPECIFICATIONS

### Technical

	RSF153	RSF154	RSF158	RSF156	RSF157
<b>Material</b>	Nylon	Polypropylene WRAS approved	Polypropylene UL approved	Polyphenylene Sulphide (PPS)	Polyvinylidene Fluoride (PVDF)
<b>Colour</b>	Black	Opaque	White	Grey	Green
<b>Temp. Range</b>	°C	-20/+75	-20/+100	-10/+105	-10/+105
	°F	-4/+167	-4/+212	+14/+221	+14/+221
<b>Min. Fluid SG</b>	0.8	0.65	0.8	0.85	0.85
<b>Must Close Level (SG=1)</b>	11.5mm	15mm	15mm	9.5mm	9.5mm
<b>Must Open Level (SG=1)</b>	22.5mm	26mm	26mm	20.5mm	20.5mm

### Electrical

		25W (Y code)	100W (H code)
<b>Contact Form</b>		N/O (N/C)	N/O (N/C)
<b>Switching Power Max</b>	VA	25	100
<b>Switching Voltage AC Max</b>	V	240	300
<b>Switching Voltage DC Max</b>	V	120	300
<b>Switching Current Max</b>	A	0.6	1

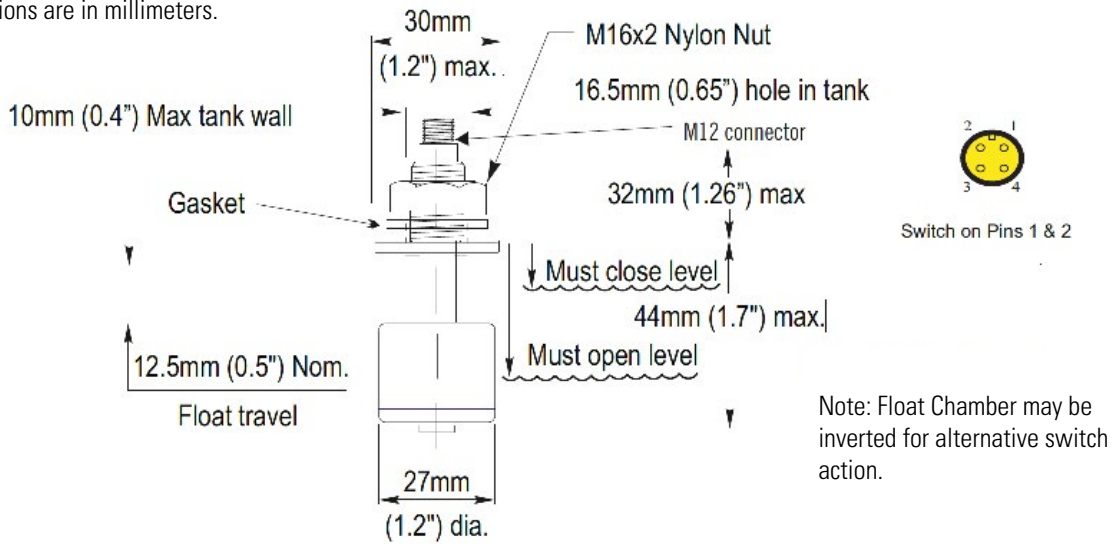
All ratings are for resistive load only.

	Material	Temp Range	Max Power	Connection	Gasket	Approvals
<b>RSF153HFP</b>	Nylon	-20°C to +75°C	100VA	M12 circular	Nitrile	WRAS
<b>RSF153YFP</b>	Nylon	-20°C to +75°C	25VA	M12 circular	Nitrile	WRAS
<b>RSF154HFP</b>	Polypropylene	-20°C to +100°C	100VA	M12 circular	Nitrile	WRAS & NSF
<b>RSF154YFP</b>	Polypropylene	-20°C to +100°C	25VA	M12 circular	Nitrile	WRAS & NSF
<b>RSF156HFP</b>	PPS	-10°C to +105°C	100VA	M12 circular	Nitrile	WRAS, UL & NSF
<b>RSF156YFP</b>	PPS	-10°C to +105°C	25VA	M12 circular	Nitrile	WRAS, UL & NSF
<b>RSF157HFP</b>	PVDF	-10°C to +105°C	100VA	M12 circular	Nitrile	UL & NSF
<b>RSF157YFP</b>	PVDF	-10°C to +105°C	25VA	M12 circular	Nitrile	UL & NSF
<b>RSF157HGP</b>	PVDF	-10°C to +105°C	100VA	M12 circular	Viton	UL & NSF
<b>RSF157YGP</b>	PVDF	-10°C to +105°C	25VA	M12 circular	Viton	UL & NSF
<b>RSF158HFP</b>	PP (UL)	-20°C to +100°C	100VA	M12 circular	Nitrile	UL
<b>RSF158YFP</b>	PP (UL)	-20°C to +100°C	25VA	M12 circular	Nitrile	UL

Custom versions can be made for particular applications. Please contact Sensata with your requirements.

**DIMENSIONS**

All dimensions are in millimeters.



Datasheets provided by Sensata Technologies, Inc., its subsidiaries and/or affiliates ("Sensata") are solely intended to assist third parties ("Buyers") who are developing systems that incorporate Sensata products (also referred to herein as "components"). Buyer understands and agrees that Buyer remains responsible for using its independent analysis, valuation, and judgment in designing Buyer's systems and products. Sensata datasheets have been created using standard laboratory conditions and engineering practices. Sensata has not conducted any testing other than that specifically described in the published documentation for a particular datasheet. Sensata may make corrections, enhancements, improvements, and other changes to its datasheets or components without notice. Buyers are authorized to use Sensata datasheets with the Sensata component(s) identified in each particular datasheet. HOWEVER, NO OTHER LICENSE, EXPRESS OR IMPLIED, BY ESTOPPEL OR OTHERWISE TO ANY OTHER SENSATA INTELLECTUAL PROPERTY RIGHT, AND NO LICENSE TO ANY THIRD PARTY TECHNOLOGY OR INTELLECTUAL PROPERTY RIGHT, IS GRANTED HEREIN. SENSATA DATASHEETS ARE PROVIDED "AS IS". SENSATA MAKES NO WARRANTIES OR REPRESENTATIONS WITH REGARD TO THE DATASHEETS OR USE OF THE DATASHEETS, EXPRESS, IMPLIED, OR STATUTORY, INCLUDING ACCURACY OR COMPLETENESS. SENSATA DISCLAIMS ANY WARRANTY OF TITLE AND ANY IMPLIED WARRANTIES OF MERCHANTABILITY, FITNESS FOR A PARTICULAR PURPOSE, QUIET ENJOYMENT, QUIET POSSESSION, AND NON-INFRINGEMENT OF ANY THIRD PARTY INTELLECTUAL PROPERTY RIGHTS WITH REGARD TO SENSATA DATASHEETS OR USE THEREOF.

All products are sold subject to Sensata's terms and conditions of sale supplied at [www.sensata.com](http://www.sensata.com). SENSATA ASSUMES NO LIABILITY FOR APPLICATIONS ASSISTANCE OR THE DESIGN OF BUYERS' PRODUCTS. BUYER ACKNOWLEDGES AND AGREES THAT IT IS SOLELY RESPONSIBLE FOR COMPLIANCE WITH ALL LEGAL, REGULATORY, AND SAFETY-RELATED REQUIREMENTS CONCERNING ITS PRODUCTS, AND ANY USE OF SENSATA COMPONENTS IN ITS APPLICATIONS, NOTWITHSTANDING ANY APPLICATIONS-RELATED INFORMATION OR SUPPORT THAT MAY BE PROVIDED BY SENSATA.

Mailing Address: Sensata Technologies, Inc., 529 Pleasant Street, Attleboro, MA 02703, USA

**CONTACT US**

+44 (0)1202 897969  
[support@sensata.com](mailto:support@sensata.com)  
 Cynergy3 Components Ltd.  
 7 Cobham Road,  
 Ferndown Industrial Estate,  
 Wimborne, Dorset,  
 BH21 7PE, United Kingdom