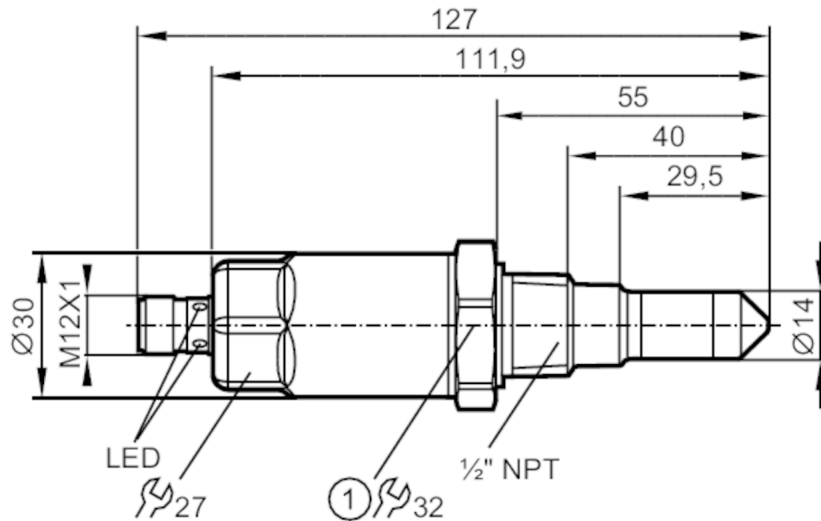


# LMC502



## Sensor for point level detection

LMCCE-N12E-QSKG-2/US



1 Tightening torque 50 Nm



### Product characteristics

Number of inputs and outputs	Number of digital outputs: 2
Process connection	1/2" NPT

### Application

Special feature	Gold-plated contacts
Media	Liquids; viscous media; powder
Recommended media	water; hydrous media; oils; oil-based media; powder
Cannot be used for	See the operating instructions, chapter "Function and features".
Probe length [mm]	40
Tank pressure [bar]	-1...40
MAWP (for applications according to CRN) [bar]	40

<b>Oil</b>	
Medium temperature [°C]	-20...100
Medium temperature short time [°C]	-20...150; (1 h)
<b>Water</b>	
Medium temperature [°C]	-20...100
Medium temperature short time [°C]	-20...150; (1 h)

# LMC502



## Sensor for point level detection

LMCCE-N12E-QSKG-2/US

Electrical data		
Operating voltage [V]	18...30 DC	
Current consumption [mA]	< 50	
Protection class	III	
Reverse polarity protection	yes	
Measuring principle	capacitive	
Inputs / outputs		
Number of inputs and outputs	Number of digital outputs: 2	
Outputs		
Total number of outputs	2	
Output signal	switching signal; IO-Link	
Electrical design	PNP/NPN	
Number of digital outputs	2	
Output function	normally open / normally closed; (parameterisable)	
Max. voltage drop switching output DC [V]	2.5	
Permanent current rating of switching output DC [mA]	100	
Short-circuit protection	yes	
Type of short-circuit protection	pulsed	
Overload protection	yes	
Interfaces		
Communication interface	IO-Link	
Transmission type	COM2 (38,4 kBaud)	
IO-Link revision	1.1	
SDCI standard	IEC 61131-9 FDIS	
Profiles	Smart Sensor: Process Data Variable; Device Identification	
SIO mode	yes	
Required master port type	A	
Process data analogue	1	
Process data binary	2	
Min. process cycle time [ms]	2.3	
Supported DeviceIDs	Type of operation	DeviceID
	Default	370
Operating conditions		
Ambient temperature [°C]	-20...85	
Note on ambient temperature	Medium temperature: < 100 °C	
	-20...60 °C	
	Medium temperature: < 150 °C	
Storage temperature [°C]	-40...85	
Protection	IP 68; IP 69K	

# LMC502



## Sensor for point level detection

LMCCE-N12E-QSKG-2/US

Tests / approvals		
EMC	DIN EN 61000-6-2	
	DIN EN 61000-6-4	open tanks
	DIN EN 61000-6-3	closed tanks
Shock resistance	DIN EN 60068-2-27	50 g (11 ms)
Vibration resistance	DIN EN 60068-2-6	20 g (10...2000 Hz)
MTTF	[years]	223

Mechanical data	
Weight	[g] 252
Materials	stainless steel (1.4404 / 316L); PEEK; PEI; FKM
Materials (wetted parts)	PEEK; FKM
Process connection	1/2" NPT
Surface characteristics Ra/Rz of the wetted parts	< 0.8

Displays / operating elements		
Display	switching status	2 x LED, yellow
	operating status	2 x LED, green

Remarks	
Pack quantity	1 pcs.

### Electrical connection

Connector: 1 x M12; coding: A; Contacts: gold-plated



### Connection

