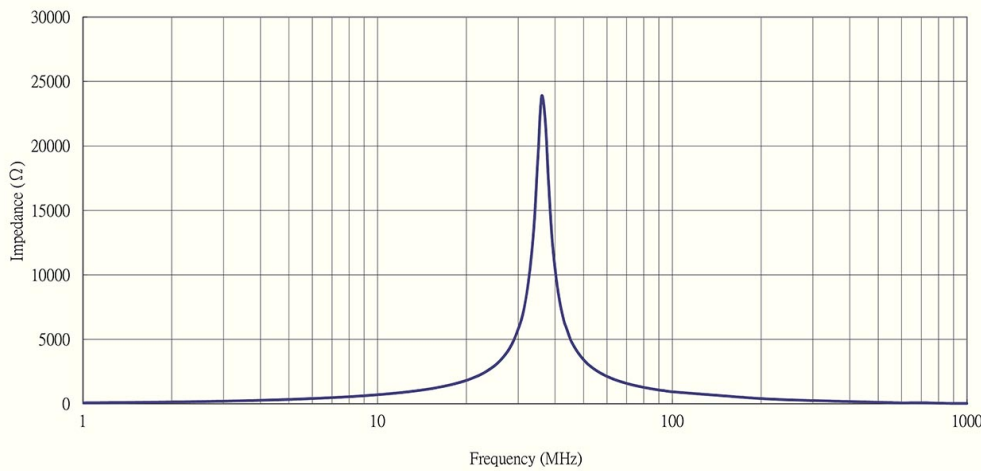


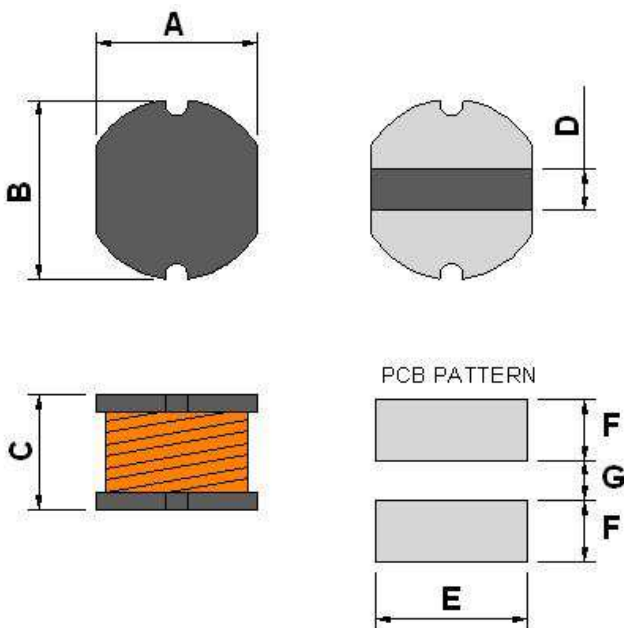
| | |
|------------------------------|---------------------------------------|
| Order Code | TCK-111 |
| Inductance | 10 μ H \pm 20% (at 1 kHz / 1 V) |
| Impedance (DCR) | 182 m Ω max. |
| Rated Current | 1.15 A max. |
| Operating Temperature | -40°C to +125°C |
| RoHS Exemptions | No Exemptions |



Impedance Curve



Outline Dimensions



| Dimensions [mm] | |
|-----------------|---------------|
| A | 4.0 \pm 0.5 |
| B | 4.5 \pm 0.5 |
| C | 3.2 \pm 0.5 |
| D | 1.2 typ. |
| E | 4.5 |
| F | 1.75 |
| G | 1.5 |

All specifications valid at +25°C, unless otherwise stated.