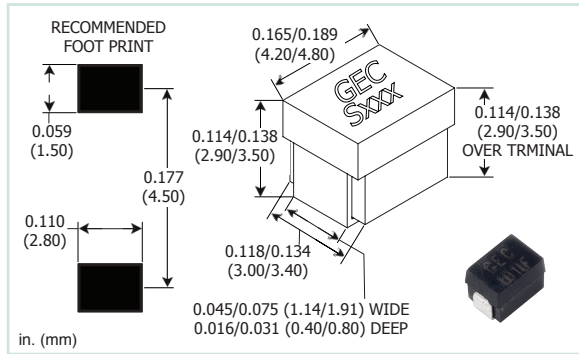


**SMRF1812S** TRADITIONAL Pb  
**SMRF1812SLF\*** ROHS COMPLIANT

Molded Shielded Inductor



PART NUMBER	L μH	Q MIN	TEST FREQ MHz	SRF MIN MHz	DCR Ω MAX	CURRENT RATING mA DC	INC I mA DC
<b>FERRITE CORE</b>							
SMRF1812S-100K	0.10	50	25	460	0.052	1959	2250
SMRF1812S-120K	0.12	50	25	400	0.060	1824	2000
SMRF1812S-150K	0.15	50	25	390	0.060	1824	1800
SMRF1812S-180K	0.18	50	25	350	0.072	1665	1636
SMRF1812S-220K	0.22	50	25	310	0.078	1600	1500
SMRF1812S-270K	0.27	50	25	280	0.094	1457	1385
SMRF1812S-330K	0.33	40	25	240	0.101	1406	1286
SMRF1812S-390K	0.39	40	25	215	0.109	1353	1200
SMRF1812S-470K	0.47	40	25	205	0.143	1182	1059
SMRF1812S-560K	0.56	40	25	185	0.151	1150	947
SMRF1812S-680K	0.68	40	25	166	0.160	1117	900
SMRF1812S-820K	0.82	40	25	155	0.178	1059	750
SMRF1812S-101J	1.0	40	7.9	160	0.143	1182	1236
SMRF1812S-121J	1.2	40	7.9	112	0.151	1150	1164
SMRF1812S-151J	1.5	40	7.9	65	0.178	1059	989
SMRF1812S-181J	1.8	40	7.9	60	0.182	1047	942
SMRF1812S-221J	2.2	40	7.9	55	0.208	980	824
SMRF1812S-271J	2.7	40	7.9	50	0.237	918	761
SMRF1812S-331J	3.3	40	7.9	45	0.264	870	682
SMRF1812S-391J	3.9	40	7.9	40	0.282	841	638
SMRF1812S-471J	4.7	40	7.9	35	0.312	800	582
SMRF1812S-561J	5.6	40	7.9	30	0.356	749	521
SMRF1812S-681J	6.8	40	7.9	28	0.394	712	471
SMRF1812S-821J	8.2	40	7.9	25	0.430	681	430
SMRF1812S-102J	10	50	2.5	23	0.520	620	342
SMRF1812S-122J	12	50	2.5	20	0.585	584	306
SMRF1812S-152J	15	50	2.5	18	0.858	482	278
SMRF1812S-182J	18	50	2.5	15	0.962	456	254
SMRF1812S-222J	22	50	2.5	14	1.300	392	228
SMRF1812S-272J	27	50	2.5	13	1.560	358	207
SMRF1812S-332J	33	50	2.5	12	2.210	301	181
SMRF1812S-392J	39	50	2.5	11	2.340	292	174
SMRF1812S-472J	47	50	2.5	9	2.600	277	159
SMRF1812S-562J	56	50	2.5	8	2.860	264	146
SMRF1812S-682J	68	50	2.5	7.6	3.308	243	133
SMRF1812S-822J	82	50	2.5	7.2	3.600	235	122
SMRF1812S-103J	100	40	0.79	7.0	3.660	234	105
SMRF1812S-123J	120	40	0.79	6.0	4.000	223	95
SMRF1812S-153J	150	40	0.79	5.0	4.710	206	85
SMRF1812S-183J	180	40	0.79	4.5	5.100	198	78
SMRF1812S-223J	220	40	0.79	4.2	7.500	164	70
SMRF1812S-273J	270	40	0.79	4.0	8.390	154	64
SMRF1812S-333J	330	40	0.79	3.7	9.690	144	57
SMRF1812S-393J	390	40	0.79	3.5	12.0	129	53
SMRF1812S-473J	470	40	0.79	3.3	17.0	122	48
SMRF1812S-563J	560	40	0.79	2.8	17.8	106	47
SMRF1812S-683J	680	40	0.79	2.6	19.3	102	45
SMRF1812S-823J	820	40	0.79	2.2	25.1	89	41
SMRF1812S-104J	1000	40	0.79	2.0	27.7	85	37

**NOTES:**

- **Operating Temperature Range:** -55°C to +125°C
- **Current Rating** is based on a 35°C temperature rise at an ambient temperature of 90°C
- **Saturation Current** is the approximate value that will reduce the initial inductance by 5%
- **Weight Max:** 0.15 grams
- **Marking:** GEC; SXXX (dash #)  
GEC  
010
- Epoxy-encapsulated for environmental protection and superior strength to withstand all types of reflow soldering
- When ordering, specify **tolerance & termination:**  
SMRF1812S-100KLF  
**Tolerance:** M = 20%, K = 10%, J = 5%  
(Table shows lowest standard tolerance option)  
\*Optional tolerances are available; contact factory  
**Termination:** LF = RoHS compliant tin-silver copper over copper
- Custom designs are available to meet your specific requirements; please contact factory

**TAPE AND REEL SPECS:**

Pcs./Reel maximum:	2200
Pitch between parts:	8 mm
Tape width:	12 mm
Reel diameter:	13 in.

**SMRF1812S**



**SMRF1812SLF\***



*Molded Shielded Inductor*

