

CHNR5040



Feature:

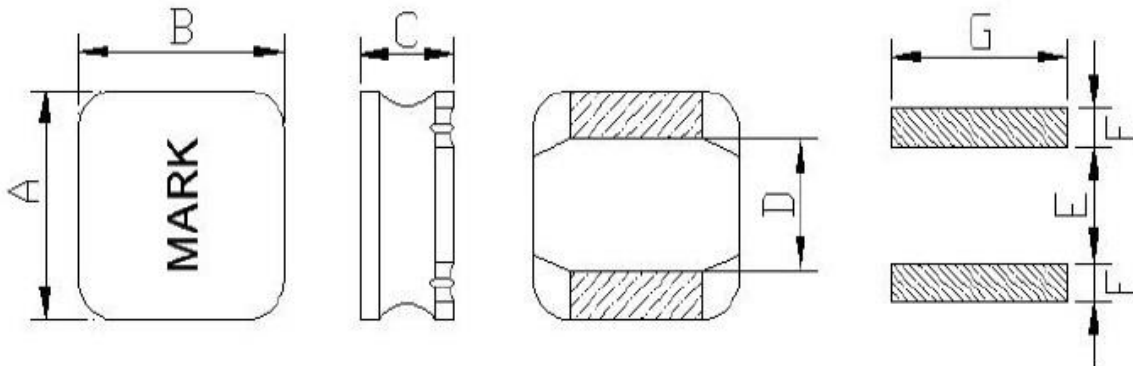
Various high-power inductors are superior to be high saturation for surface mount

Applications:

Power supplies, office automation equipment, digital camera, LCD television, PC, portable communication devices, converters, etc.

| | |
|------------------------------|--------------------------|
| Inductor type | Wire-wound ferrite |
| Operating Temperature | -40 - 125°C |
| Storage Conditions | -10 - 40°C, 30-70%RH |
| Shielding | Semi-shielded |
| Insulation Resistance | ≥100MΩ |
| Environment | RoHS and REACH compliant |

Mechanical Dimension: (unit: mm)



| Type | A | B | C | D | E | F | G |
|----------|---------|---------|---------|----------|---------|---------|---------|
| CHNR5040 | 5.0±0.2 | 5.0±0.2 | 4.0 Max | 1.25±0.2 | 2.3 Ref | 1.4 Ref | 4.7 Ref |

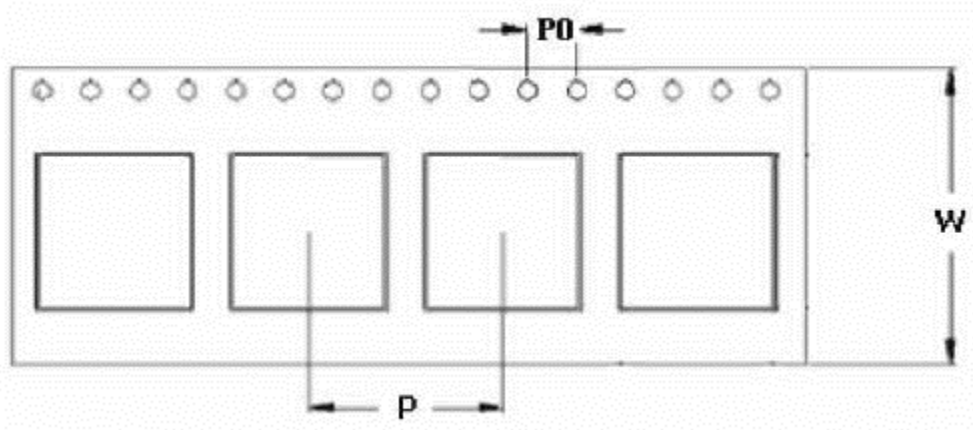


Electrical Parameters:

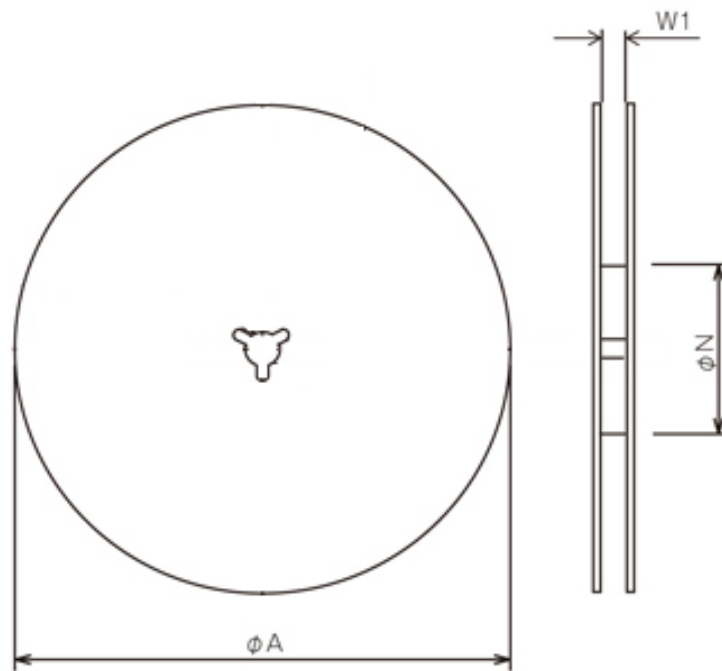
| Part Number | Inductance (μH) | Test Freq (kHz/v) | DCR (Ω) | Isat (A) | Irms (A) |
|---------------|------------------------------|-------------------|------------------|----------|----------|
| CHNR5040-1R0N | 1 | 100/1 | 0.017 | 7.35 | 4.9 |
| CHNR5040-1R2N | 1.2 | 100/1 | 0.021 | 6.5 | 4.15 |
| CHNR5040-1R5N | 1.5 | 100/1 | 0.021 | 6.3 | 4.3 |
| CHNR5040-2R2N | 2.2 | 100/1 | 0.025 | 4.9 | 3.8 |
| CHNR5040-3R3M | 3.3 | 100/1 | 0.031 | 3.95 | 3.4 |
| CHNR5040-3R9M | 3.9 | 100/1 | 0.035 | 3.55 | 3.2 |
| CHNR5040-4R7M | 4.7 | 100/1 | 0.039 | 3.5 | 3 |
| CHNR5040-5R6M | 5.6 | 100/1 | 0.046 | 3 | 2.8 |
| CHNR5040-6R8M | 6.8 | 100/1 | 0.056 | 2.9 | 2.5 |
| CHNR5040-8R2M | 8.2 | 100/1 | 0.062 | 2.7 | 2.3 |
| CHNR5040-100M | 10 | 100/1 | 0.083 | 2.35 | 2.1 |
| CHNR5040-150M | 15 | 100/1 | 0.112 | 2 | 2 |
| CHNR5040-220M | 22 | 100/1 | 0.168 | 1.6 | 1.5 |
| CHNR5040-330M | 33 | 100/1 | 0.244 | 1.3 | 1.2 |
| CHNR5040-470M | 47 | 100/1 | 0.354 | 1.1 | 1 |
| CHNR5040-560M | 56 | 100/1 | 0.494 | 1 | 0.8 |
| CHNR5040-680M | 68 | 100/1 | 0.52 | 0.9 | 0.8 |
| CHNR5040-101M | 100 | 100/1 | 0.728 | 0.75 | 0.7 |
| CHNR5040-151M | 150 | 100/1 | 0.975 | 0.65 | 0.6 |
| CHNR5040-181M | 180 | 100/1 | 1.69 | 0.6 | 0.5 |
| CHNR5040-201M | 200 | 100/1 | 1.76 | 0.55 | 0.45 |
| CHNR5040-221M | 220 | 100/1 | 1.82 | 0.48 | 0.4 |
| CHNR5040-331M | 330 | 100/1 | 2.73 | 0.42 | 0.4 |
| CHNR5040-471M | 470 | 100/1 | 3.9 | 0.37 | 0.35 |
| CHNR5040-561M | 560 | 100/1 | 4.92 | 0.33 | 0.31 |
| CHNR5040-681M | 680 | 100/1 | 5.07 | 0.3 | 0.25 |
| CHNR5040-102M | 1000 | 100/1 | 7.8 | 0.25 | 0.2 |
| CHNR5040-152M | 1500 | 100/1 | 13.3 | 0.2 | 0.16 |

Note: tolerance code M = $\pm 20\%$, N = $\pm 30\%$

Packaging: (unit: mm)

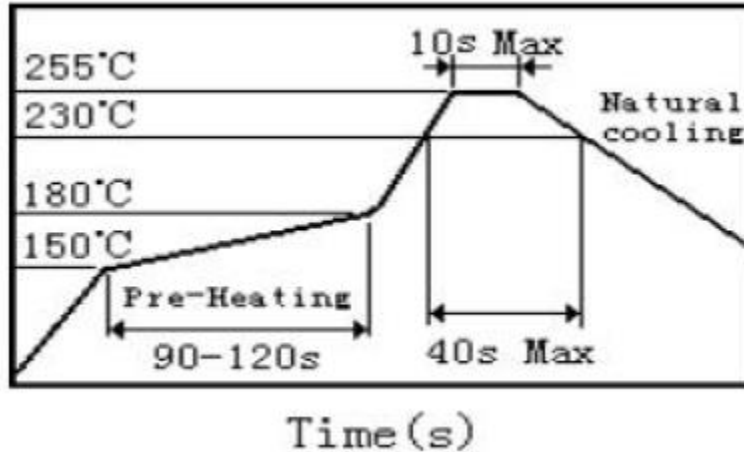


| Type | P | P0 | W | Pcs/Reel |
|----------|-------|-------|--------|----------|
| CHNR5040 | 8±0.1 | 4±0.1 | 12±0.3 | 1500 |



| Type | A | N | W1 |
|----------|---------|---------|----------|
| CHNR5040 | 330±0.5 | 100±0.5 | 12.5±0.5 |

Recommended Soldering Profile:



Precautions for Use:

1. The product is designed and promoted for use in general electronic devices, such as audio equipment, office automation equipment, household appliances, and information service devices.
2. In the case of using the product for a purpose other than general electronics devices, we shall not hold the liability for any dysfunctions or damage to the equipment in which the product is used.
3. Our specification in this document only limits the quality of the components as a single unit. Please ensure the component is thoroughly evaluated in the application circuit.
4. Do not apply excessive vibration or mechanical shock to the product.
5. Do not touch the inductor wire with sharp objects.
6. Do not apply excessive stress to the product.