

CHNR4030



Feature:

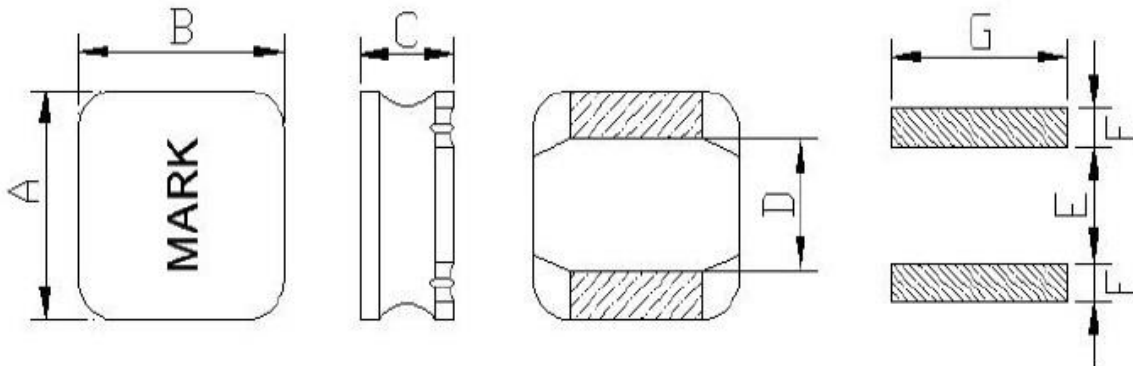
Various high-power inductors are superior to be high saturation for surface mount

Applications:

Power supplies, office automation equipment, digital camera, LCD television, PC, portable communication devices, converters, etc.

Inductor type	Wire-wound ferrite
Operating Temperature	-40 - 125°C
Storage Conditions	-10 - 40°C, 30-70%RH
Shielding	Semi-shielded
Insulation Resistance	≥100MΩ
Environment	RoHS and REACH compliant

Mechanical Dimension: (unit: mm)



Type	A	B	C	D	E	F	G
CHNR4030	4.0±0.2	4.0±0.2	3.0 Max	0.95±0.2	1.9 Ref	1.1 Ref	3.7 Ref

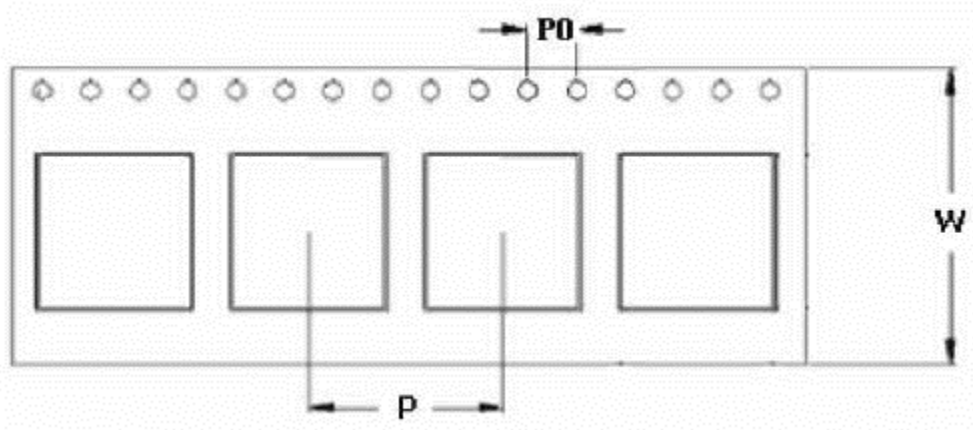


Electrical Parameters:

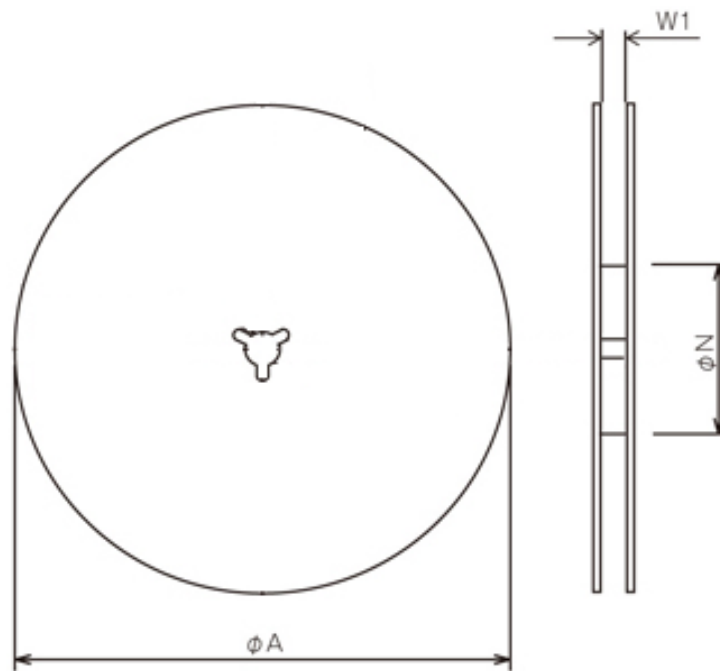
Part Number	Inductance (μH)	Test Freq (kHz/v)	DCR (Ω)	Isat (A)	Irms (A)
CHNR4030-R24N	0.24	100/1	0.012	8	5.1
CHNR4030-R47N	0.47	100/1	0.013	7.5	4.82
CHNR4030-R68N	0.68	100/1	0.013	6.8	4.56
CHNR4030-1R0N	1	100/1	0.018	5.26	4.15
CHNR4030-1R5N	1.5	100/1	0.026	4.84	3.34
CHNR4030-2R2M	2.2	100/1	0.039	4.1	2.95
CHNR4030-3R3M	3.3	100/1	0.052	3.3	2.4
CHNR4030-4R7M	4.7	100/1	0.078	2.9	2
CHNR4030-5R6M	5.6	100/1	0.085	2.75	1.95
CHNR4030-6R8M	6.8	100/1	0.117	2.6	1.6
CHNR4030-8R2M	8.2	100/1	0.117	2.1	1.6
CHNR4030-100M	10	100/1	0.13	1.95	1.5
CHNR4030-120M	12	100/1	0.175	1.7	1.3
CHNR4030-150M	15	100/1	0.247	1.65	1.11
CHNR4030-220M	22	100/1	0.292	1.3	1
CHNR4030-330M	33	100/1	0.429	1.1	0.84
CHNR4030-470M	47	100/1	0.579	0.95	0.72
CHNR4030-560M	56	100/1	0.722	0.85	0.65
CHNR4030-680M	68	100/1	1.128	0.72	0.52
CHNR4030-820M	82	100/1	1.378	0.66	0.47
CHNR4030-101M	100	100/1	1.495	0.6	0.45
CHNR4030-151M	150	100/1	2.34	0.5	0.3
CHNR4030-181M	180	100/1	3.4	0.45	0.26
CHNR4030-221M	220	100/1	3.25	0.4	0.35
CHNR4030-331M	330	100/1	5.2	0.3	0.25
CHNR4030-471M	470	100/1	9.36	0.3	0.2
CHNR4030-561M	560	100/1	9.027	0.28	0.15
CHNR4030-102M	1000	100/1	14.95	0.18	0.09
CHNR4030-222M	2200	100/1	27	0.13	0.05

Note: tolerance code M = $\pm 20\%$, N = $\pm 30\%$

Packaging: (unit: mm)

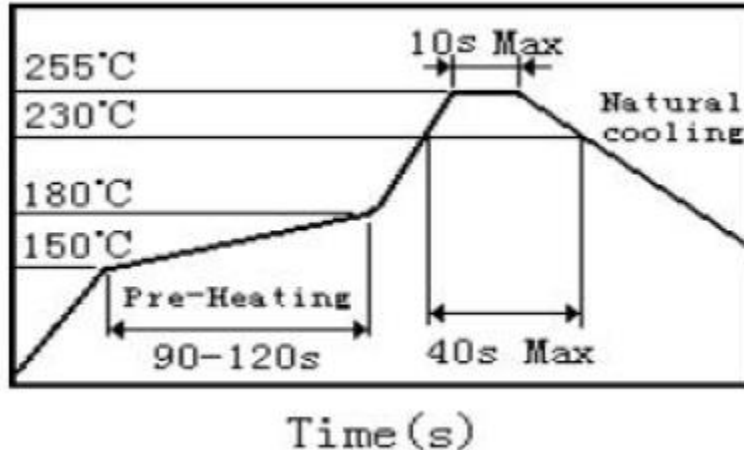


Type	P	P0	W	Pcs/Reel
CHNR4030	8 ± 0.1	4 ± 0.1	12 ± 0.3	2000



Type	A	N	W1
CHNR4030	330 ± 0.5	100 ± 0.5	12.5 ± 0.5

Recommended Soldering Profile:



Precautions for Use:

1. The product is designed and promoted for use in general electronic devices, such as audio equipment, office automation equipment, household appliances, and information service devices.
2. In the case of using the product for a purpose other than general electronics devices, we shall not hold the liability for any dysfunctions or damage to the equipment in which the product is used.
3. Our specification in this document only limits the quality of the components as a single unit. Please ensure the component is thoroughly evaluated in the application circuit.
4. Do not apply excessive vibration or mechanical shock to the product.
5. Do not touch the inductor wire with sharp objects.
6. Do not apply excessive stress to the product.