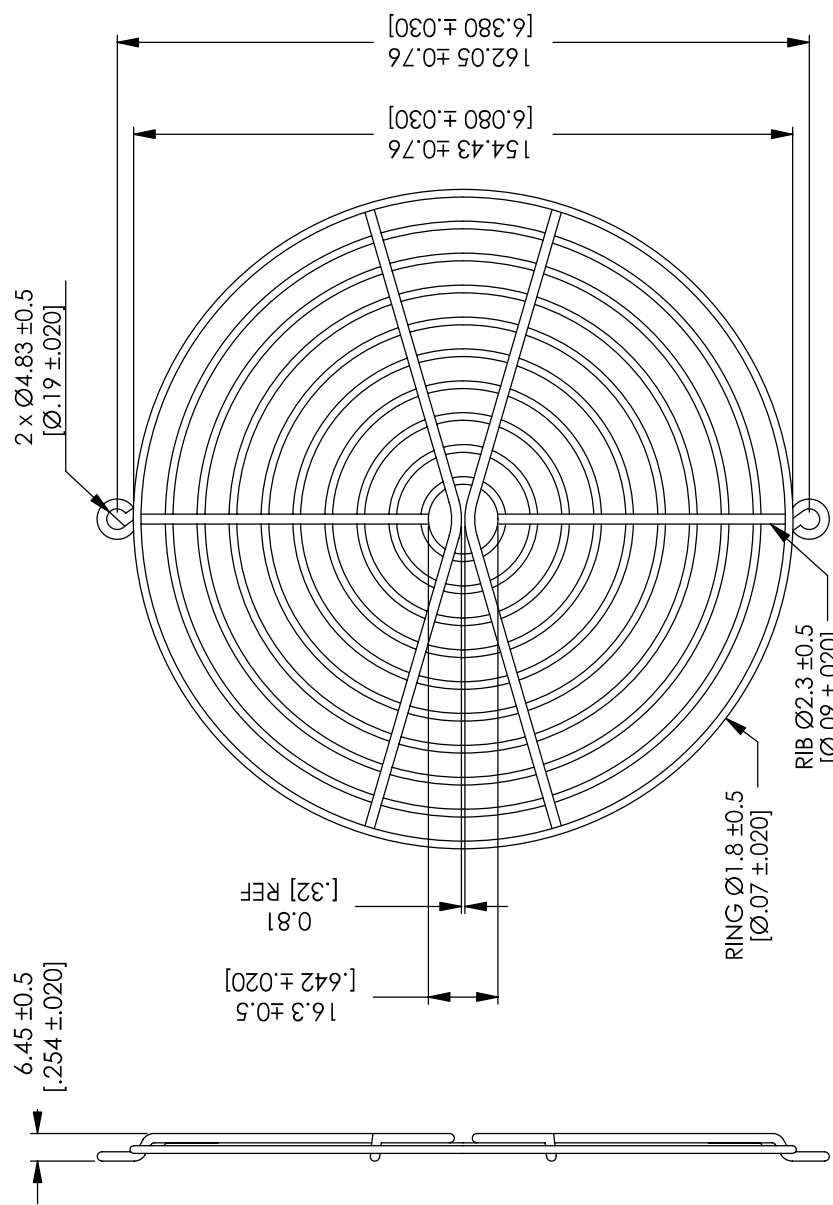


REV.	MODIFICATION.	DATE	DRN
A	NEW DWG	140301	JPM
B	ECR04-205	081204	NJB
C	ECR05-039	290305	OW
04	ECN2006-069	31/05/06	OW
05	ECN2007-195	14/11/07	SF

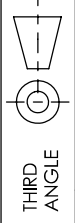


NOTES
 1a) METRIC PRIMARY UNITS:mm
 1b) IMPERIAL SECONDARY UNITS: [inches]
 2) SPACING BETWEEN RINGS TO BE EQUIDISTANT 5.67 ± 0.5 [223 ± 0.020].
 3) MATERIAL:
 STEEL WIRE ELECTROPLATED(RMS-261)
 PLATING: NICKEL CHROME(RMS-229)

INFORMATION CONTAINED IN THIS DOCUMENT IS CONFIDENTIAL TO RICHCO INTERNATIONAL Co. Ltd. AND MAY NOT BE DISCLOSED OR REPRODUCED IN WHOLE OR PART WITHOUT THEIR WRITTEN CONSENT.



GENERAL TOLERANCES #0.25 [010]
 UNLESS OTHERWISE STATED
 1 DECIMAL PLACE *
 2 DECIMAL PLACES *
 ANGULAR ±1°



MATERIAL: See note 3		THIRD ANGLE		COLOUR: NICKEL CHROME	
DESCRIPTION: METAL FAN GUARD		PART No: RCOFM-150-A		SHEET SIZE A4	
DRG No: 999-0196	NPR No: N/A	DATE: 29/03/05	CHKD: NBr	SCALE: NTS	SHEET No: 1 OF 1
DRN: OW	DATE: 29/03/05	DATE: 30/03/05	DATE: 30/03/05	DATE: 30/03/05	DATE: 30/03/05