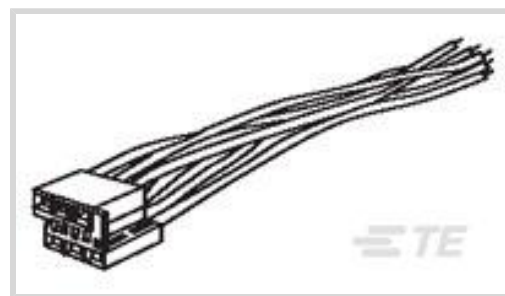




EMI & EMC Solutions > EMI & EMC Accessories



Filter Accessory Type: **Plug Only**

Features

Product Type Features

Filter Accessory Type	Plug Only
-----------------------	-----------

Body Features

Primary Product Color	Black
-----------------------	-------

Product Compliance

[For compliance documentation, visit the product page on TE.com>](#)

EU RoHS Directive 2011/65/EU	Compliant
EU ELV Directive 2000/53/EC	Compliant
China RoHS 2 Directive MIIT Order No 32, 2016	No Restricted Materials Above Threshold
EU REACH Regulation (EC) No. 1907/2006	Current ECHA Candidate List: JAN 2024 (240) Candidate List Declared Against: JAN 2024 (240) Does not contain REACH SVHC
Halogen Content	Low Halogen - Br, Cl, F, I < 900 ppm per homogenous material. Also BFR/CFR/PVC Free
Solder Process Capability	Not applicable for solder process capability

Product Compliance Disclaimer

This information is provided based on reasonable inquiry of our suppliers and represents our current actual knowledge based on the information they provided. This information is subject to change. The part numbers that TE has identified as EU RoHS compliant have a maximum concentration of 0.1% by weight in homogenous materials for lead, hexavalent chromium, mercury, PBB, PBDE, DBP, BBP, DEHP, DIBP, and 0.01% for cadmium, or qualify for an exemption to these limits as defined in the Annexes of Directive 2011/65/EU (RoHS2). Finished electrical and electronic equipment products will be CE marked as required by Directive 2011/65/EU. Components may not be CE marked. Additionally, the part numbers that TE has identified as EU ELV compliant have a maximum concentration of 0.1% by weight in homogenous materials for lead, hexavalent chromium, and mercury, and 0.01% for cadmium, or qualify for an exemption to these limits as defined in the Annexes of Directive 2000/53/EC (ELV). Regarding the REACH Regulation, the information TE provides


on SVHC in articles for this part number is based on the latest European Chemicals Agency (ECHA) 'Guidance on requirements for substances in articles' posted at this URL: <https://echa.europa.eu/guidance-documents/guidance-on-reach>

Compatible Parts

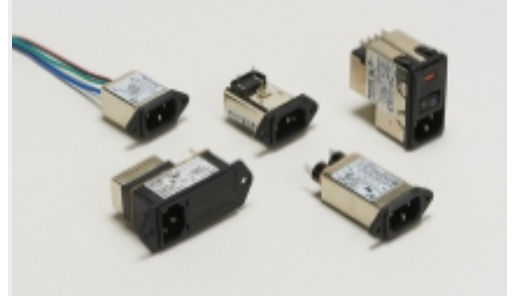


TE Part # CAT-C8114-P2
CORCOM P SERIES MULTI-FUNCTION INLET FIL


Also in the Series | Corcom M



EMI & EMC Accessories(2)



Multi-Function Inlet Filters(28)



Potentiometers(5)

Customers Also Bought



TE Part # 3-6609129-0
SEFM4SC=F8114



TE Part # 350550-2
UMNL SOK 20-14 AU/BR L/P



TE Part # 165085
PG WIRE PIN 12-10



TE Part # 350809-1
05P UMNL PLUG HSG



TE Part # 3-520406-2
ULTRA-FAST 250 ASY REC 16-14 AWG TPBR



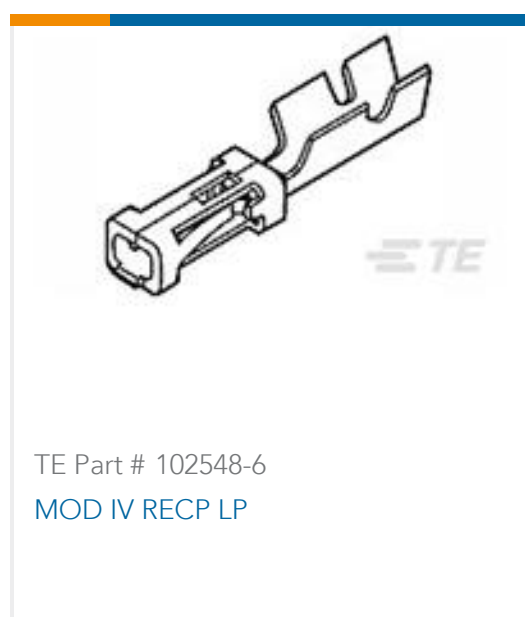
TE Part # 42743-2
250 FASTON REC 22-18 AWG TPBR



TE Part # 60196-2
187 FASTON REC 20-16 AWG TPBR



TE Part # 35476
TERMINAL,SOLIS R 12-10 6



Documents

CAD Files

[3D PDF](#)

[3D](#)

Customer View Model

[ENG_CVM_CVM_1609139-2_O.2d_dxf.zip](#)

English

Customer View Model

[ENG_CVM_CVM_1609139-2_O.3d_igs.zip](#)

English

Customer View Model

[ENG_CVM_CVM_1609139-2_O.3d_stp.zip](#)

English

By downloading the CAD file I accept and agree to the [Terms and Conditions](#) of use.

Datasheets & Catalog Pages

[1654001_CORCOM_PRODUCT_GUIDE](#)

English

[Corcom Combined Selector Charts](#)

English