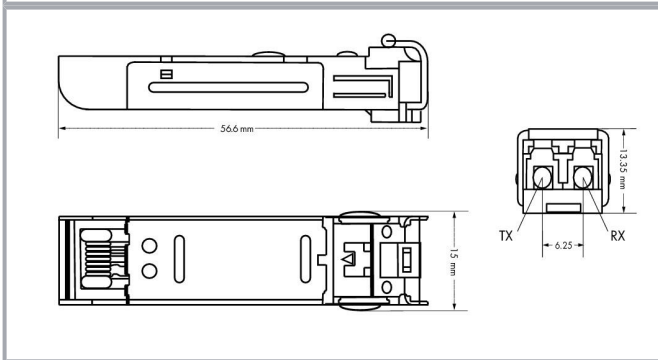
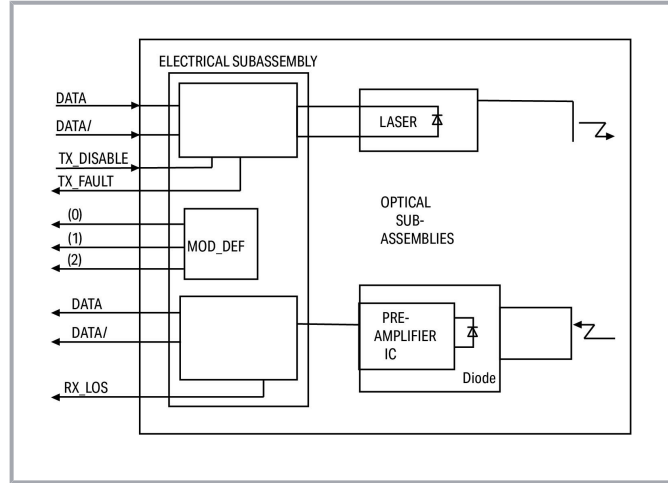


Picture differs from the item.

Color:



Item description

Features:

- Duplex LC optical connector
- Small Form-Factor Pluggable (SFP) industry-standard design
- Compliant with Fast ETHERNET standard
- Differential LVPECL inputs and outputs

Subject to changes. Please also observe the further product documentation!

WAGO GmbH & Co. KG
Hansastr. 27
32423 Minden
Phone: +49571 887-0 | Fax: +49571 887-169
Email: info.de@wago.com | Web: www.wago.com

Do you have any questions about our products?
We are always happy to take your call at +49 (571) 887-44222.



- Power supply: 3.3 V
- TTL signal detect indicator
- Hot-pluggable capability

Data

Technical data

Optical fiber type	Multi-mode
--------------------	------------

Connection data

Connection technology: communication/fieldbus	1 x SFP; LC fiber-optic connector
Connection requirement (permissible cable length)	2,000 m
Connection requirement (permissible cable type)	Multi-mode fiber 62.5/125 µm, 50/125 µm; Wavelength: 1310 nm

Physical data

Width	13.4 mm / 0.528 inches
Height	13.3 mm / 0.524 inches
Depth	56.6 mm / 2.228 inches

Mechanical data

Weight	24 g
Color	silver-colored

Environmental requirements

Ambient temperature (operation)	-40 ... +70 °C
Ambient temperature (storage)	-40 ... +80 °C

Commercial data

eCl@ss 10.0	19-17-01-30
eCl@ss 9.0	19-17-01-06
ETIM 8.0	EC000309
ETIM 7.0	EC000309
Recupel Type	
ECCN	5A992.C
PU (SPU)	1 pcs
Packaging type	box
Country of origin	TW

Subject to changes. Please also observe the further product documentation!





GTIN	4045454635404
Customs tariff number	85176200000


Environmental Product Compliance

RoHS Compliance Status	Compliant, No Exemption
------------------------	-------------------------

Approvals / Certificates**General approvals**

Logo	Approval	Additional Approval Text	Certificate name
	EAC GZO Almaty Standart	TP TC 020/2011	EAC CoC 03083
	KC National Radio Research Agency	Article 58-2, Clause 3	MSIP- REM-W43- SFP852

Declarations of conformity and manufacturer's declarations

Logo	Approval	Additional Approval Text	Certificate name
	EU-Declaration of Conformity WAGO GmbH & Co. KG	-	-

Downloads**Documentation****Bid Text**

852-201/107-002 X81 - Datei	2019 年2月19日	xml 3.9 kB	Download
852-201/107-002 doc - Datei	2018 年3月9日	doc 26.1 kB	Download
ausschreiben.de 852-201/107-002		URL	Download

System Description

Industrial Switches – General Product Information

Subject to changes. Please also observe the further product documentation!

WAGO GmbH & Co. KG
Hansastr. 27
32423 Minden
Phone: +49571 887-0 | Fax: +49571 887-169
Email: info.de@wago.com | Web: www.wago.com

Do you have any questions about our products?
We are always happy to take your call at +49 (571) 887-44222.



pdf
1.9 MB Download

Additional Information

Disposal and Recycling Electrical and electronic equipment, Batteries, Packaging	V 1.1.0 2022 年8月18 日	pdf 2.2 MB	Download
---	-------------------------	---------------	----------

CAD/CAE-Data

CAE data

EPLAN Data Portal 852-201/107-002	URL	Download
WSCAD Universe 852-201/107-002	URL	Download
EPLAN Data Portal 852-201/107-002	URL	Download
WSCAD Universe 852-201/107-002	URL	Download

Environmental Product Compliance

Compliance Search

Environmental Product Compliance 852-201/107-002 SFP Module 100BASE; FX Multi-Mode 1310 nm LC; 2 km; silver-colored	URL	Download
--	-----	----------

Installation Notes

Subject to changes. Please also observe the further product documentation!