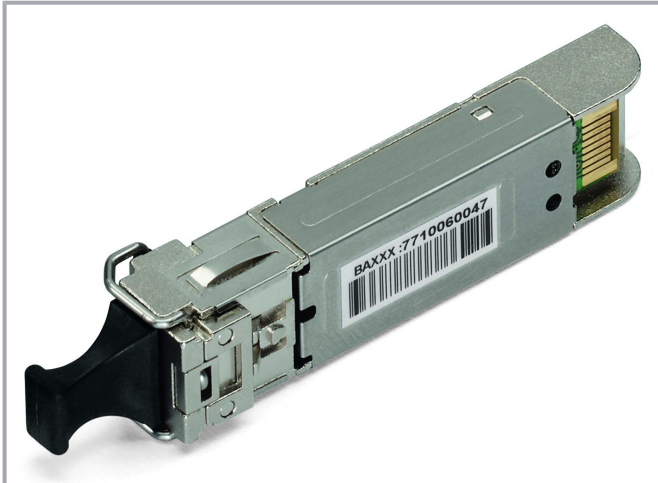


Data sheet | Item number: 852-1280

SFP Module 1000BASE; ZX Single-Mode 1550 nm LC; 80 km; Extended temperature range; Digital Diagnostics Monitoring; silver-colored

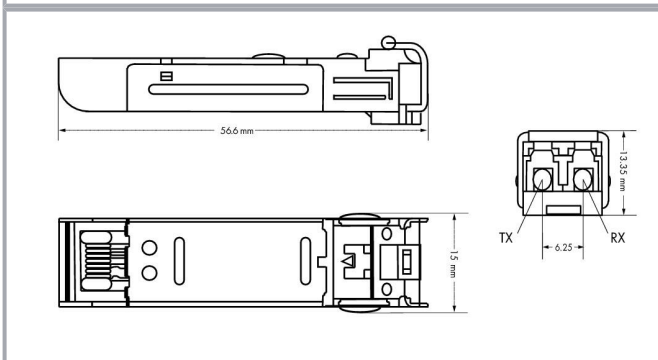
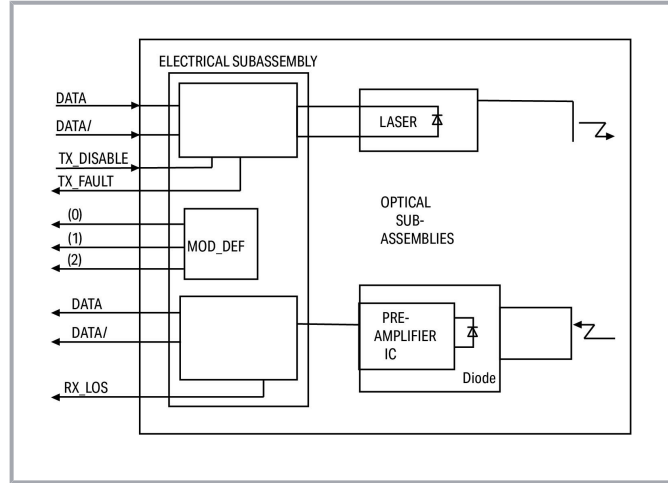


www.wago.com/852-1280



 Picture differs from the item.

Color: 



Item description

Features:

- Duplex LC optical connector
- Small Form-Factor Pluggable (SFP) industry-standard design
- Compliant with IEEE802.3z Gigabit ETHERNET Standard
- Differential LVPECL inputs and outputs

Subject to changes. Please also observe the further product documentation!

WAGO GmbH & Co. KG
Hansastr. 27
32423 Minden
Phone: +49571 887-0 | Fax: +49571 887-169
Email: info.de@wago.com | Web: www.wago.com

Do you have any questions about our products?
We are always happy to take your call at +49 (571) 887-44222.



- Power supply: 3.3 V
- TTL signal detect indicator
- Hot-pluggable capability

Data

Technical data

Optical fiber type	Single-mode
--------------------	-------------

Connection data

Connection technology: communication/fieldbus	1 x SFP; LC fiber-optic connector
Connection requirement (permissible cable length)	80,000 m
Connection requirement (permissible cable type)	Single-mode fiber 9/125 µm; Wavelength: 1550 nm

Physical data

Width	13.4 mm / 0.528 inches
Height	13.3 mm / 0.524 inches
Depth	56.6 mm / 2.228 inches

Mechanical data

Weight	17 g
Color	silver-colored

Environmental requirements

Ambient temperature (operation)	-40 ... +85 °C
Ambient temperature (storage)	-40 ... +85 °C

Commercial data

eCl@ss 10.0	19-17-01-30
eCl@ss 9.0	19-17-01-06
ETIM 8.0	EC000309
ETIM 7.0	EC000309
Recupel Type	
ECCN	5A992.C
PU (SPU)	1 pcs
Packaging type	box
Country of origin	TW

Subject to changes. Please also observe the further product documentation!



GTIN	4055143394154
Customs tariff number	85176200000

Environmental Product Compliance


RoHS Compliance Status	Compliant, No Exemption
------------------------	-------------------------

Approvals / Certificates

General approvals

Logo	Approval	Additional Approval Text	Certificate name
	EAC GZO Almaty Standart	TP TC 020/2011	EAC CoC 03083
	KC National Radio Research Agency	Article 58-2, Clause 3	MSIP- REM-W43- SFP852

Declarations of conformity and manufacturer's declarations

Logo	Approval	Additional Approval Text	Certificate name
	EU-Declaration of Conformity WAGO GmbH & Co. KG	-	-

Downloads

Documentation

Bid Text

852-1280 X81 - Datei	2019 年2月19日	xml 4.0 kB	Download
852-1280 doc - Datei	2017 年10月9日	doc 27.1 kB	Download
ausschreiben.de 852-1280		URL	Download

Additional Information

Disposal and Recycling

Subject to changes. Please also observe the further product documentation!

WAGO GmbH & Co. KG
Hansastr. 27
32423 Minden
Phone: +49571 887-0 | Fax: +49571 887-169
Email: info.de@wago.com | Web: www.wago.com

Do you have any questions about our products?
We are always happy to take your call at +49 (571) 887-44222.



Electrical and electronic equipment, Batteries, Packaging

V 1.1.0

2022 年8月18日

pdf
2.2 MB

[Download](#)

CAD/CAE-Data

CAE data

EPLAN Data Portal 852-1280

[URL](#)

[Download](#)

WSCAD Universe 852-1280

[URL](#)

[Download](#)

Environmental Product Compliance

Compliance Search

Environmental Product Compliance 852-1280

[URL](#)

[Download](#)

SFP Module 1000BASE; ZX Single-Mode 1550 nm LC; 80 km; Extended temperature range; Digital Diagnostics Monitoring; silver-colored

Installation Notes

Subject to changes. Please also observe the further product documentation!

WAGO GmbH & Co. KG

Hansastr. 27

32423 Minden

Phone: +49571 887-0 | Fax: +49571 887-169

Email: info.de@wago.com | Web: www.wago.com

Do you have any questions about our products?

We are always happy to take your call at +49 (571) 887-44222.