



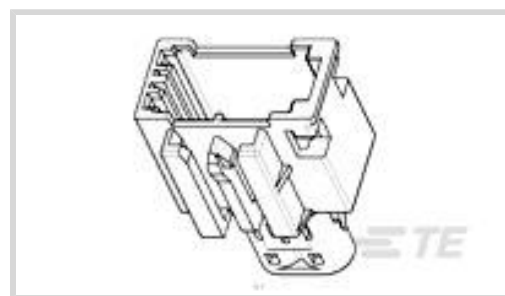
AMP | MOST

TE Internal #: 1-1394916-2

Data Connectivity Housings, Housing for Female Terminals, A, Wire-to-Wire, 2 Position, 6 mm Centerline, Cable Exit Angle 180°, MOST

[View on TE.com >](#)

Connectors > Automotive Connectors > Data Connectivity Systems > Data Connectivity Housings



Connector & Housing Type: **Housing for Female Terminals**

Connector & Keying Code: **A**

Connector System: **Wire-to-Wire**

Number of Positions: **2**

Centerline (Pitch): **6 mm**

Features

Product Type Features

Connector & Housing Type	Housing for Female Terminals
Connector System	Wire-to-Wire
Sealable	No

Configuration Features

Number of Positions	2
---------------------	---

Body Features

Connector & Keying Code	A
Cable Exit Angle	180°

Mechanical Attachment

Connector Mounting Type	Cable Mount (Free-Hanging)
-------------------------	----------------------------

Housing Features

Centerline (Pitch)	6 mm
--------------------	------

Usage Conditions

Operating Temperature (Max)	95 °C
Cable Type	Fiber Optic
Operating Temperature Range	-40 – 95 °C

Operation/Application

Shielded	No
----------	----



Circuit Application

Signal

Product Compliance

[For compliance documentation, visit the product page on TE.com>](#)

EU RoHS Directive 2011/65/EU	Compliant
EU ELV Directive 2000/53/EC	Compliant
China RoHS 2 Directive MIIT Order No 32, 2016	No Restricted Materials Above Threshold
EU REACH Regulation (EC) No. 1907/2006	Current ECHA Candidate List: JAN 2024 (240) Candidate List Declared Against: JAN 2024 (240) Does not contain REACH SVHC
Halogen Content	Low Halogen - Br, Cl, F, I < 900 ppm per homogenous material. Also BFR/CFR/PVC Free
Solder Process Capability	Not applicable for solder process capability

Product Compliance Disclaimer

This information is provided based on reasonable inquiry of our suppliers and represents our current actual knowledge based on the information they provided. This information is subject to change. The part numbers that TE has identified as EU RoHS compliant have a maximum concentration of 0.1% by weight in homogenous materials for lead, hexavalent chromium, mercury, PBB, PBDE, DBP, BBP, DEHP, DIBP, and 0.01% for cadmium, or qualify for an exemption to these limits as defined in the Annexes of Directive 2011/65/EU (RoHS2). Finished electrical and electronic equipment products will be CE marked as required by Directive 2011/65/EU. Components may not be CE marked. Additionally, the part numbers that TE has identified as EU ELV compliant have a maximum concentration of 0.1% by weight in homogenous materials for lead, hexavalent chromium, and mercury, and 0.01% for cadmium, or qualify for an exemption to these limits as defined in the Annexes of Directive 2000/53/EC (ELV). Regarding the REACH Regulation, the information TE provides on SVHC in articles for this part number is based on the latest European Chemicals Agency (ECHA) 'Guidance on requirements for substances in articles' posted at this URL: <https://echa.europa.eu/guidance-documents/guidance-on-reach>

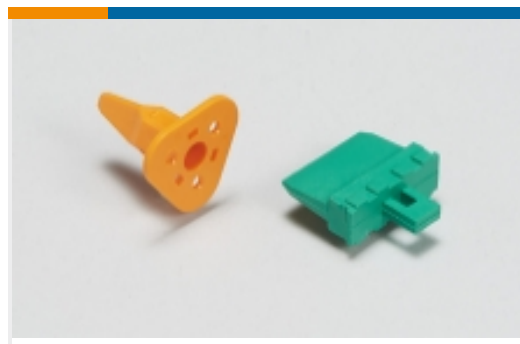
Compatible Parts



Also in the Series | **MOST**



Automotive Connector Caps & Covers (4)



Automotive Connector Locks & Position Assurance(1)



Automotive Terminals(4)



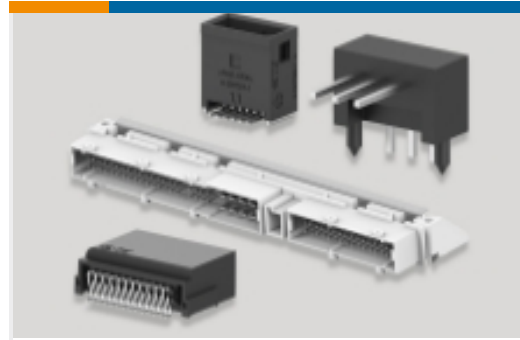
Data Connectivity Housings(5)



Fiber Connector Covers & Caps(1)



Other Automotive Connector Accessories(1)



PCB Headers & Receptacles(3)

Customers Also Bought



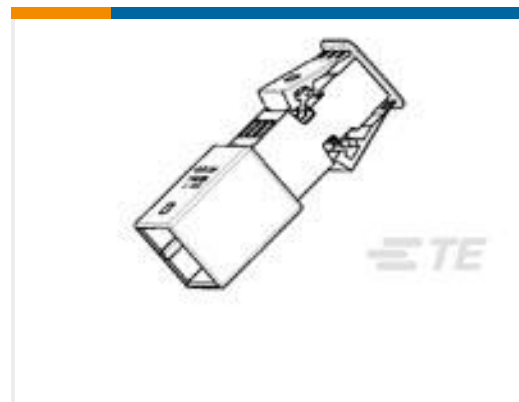
TE Part #2177909-1
MCON 0.50 TERMINAL



TE Part #969022-1
TIMER, RECEPTACLE AND TAB



TE Part #5-963715-5
MQS0,63 Au rec LL unseal. 0,5-0,75



TE Part #1-1418784-1
6POS MQS TAB



TE Part #1-1418862-0
2POS. FIBER OPTIC HARNESS CONNECTOR



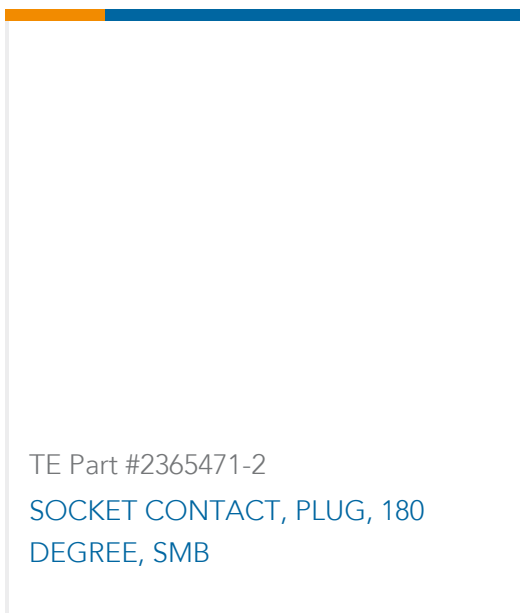
TE Part #1924857-1
Lock, 2 Posn, FAKRA



TE Part #2151058-2
OCEAN_2.0_APPLICATOR-S-080F1000



TE Part #2203238-1
PLUG SUBASSEMBLY, RTK031 2DS-PPFW, FAKRA



TE Part #2365471-2
SOCKET CONTACT, PLUG, 180 DEGREE, SMB

Documents



Product Drawings

LWL KUPPLUNG 2P

English

CAD Files

Customer View Model

[ENG_CVM_CVM_1-1394916-2_A.2d_dxf.zip](#)

English

3D PDF

3D

Customer View Model

[ENG_CVM_CVM_1-1394916-2_A.3d_igs.zip](#)

English

Customer View Model

[ENG_CVM_CVM_1-1394916-2_A.3d_stp.zip](#)

English

By downloading the CAD file I accept and agree to the [Terms and Conditions](#) of use.

Product Specifications

Fiber Optic Contacts and optical housings for MOST / Fiber Optik Kontakte und optische Gehaeuse fuer MOST

English

Product Specification

English