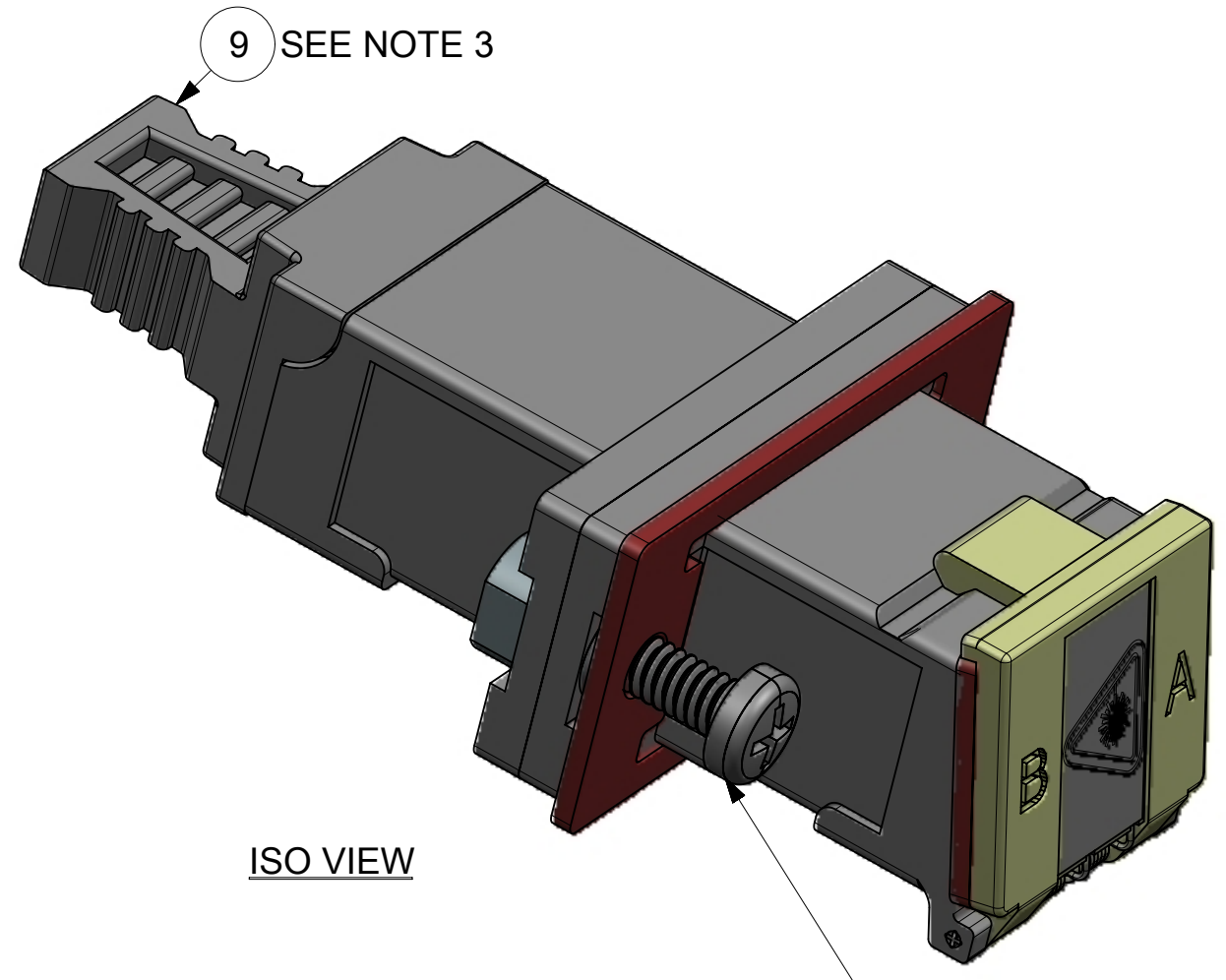
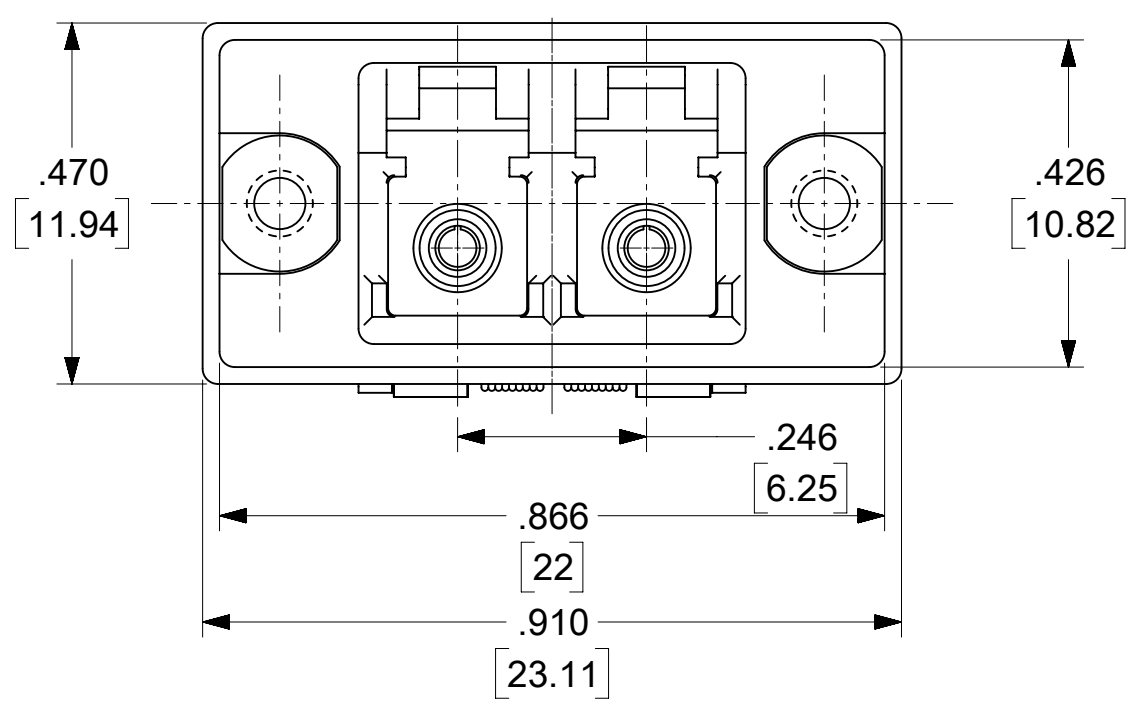
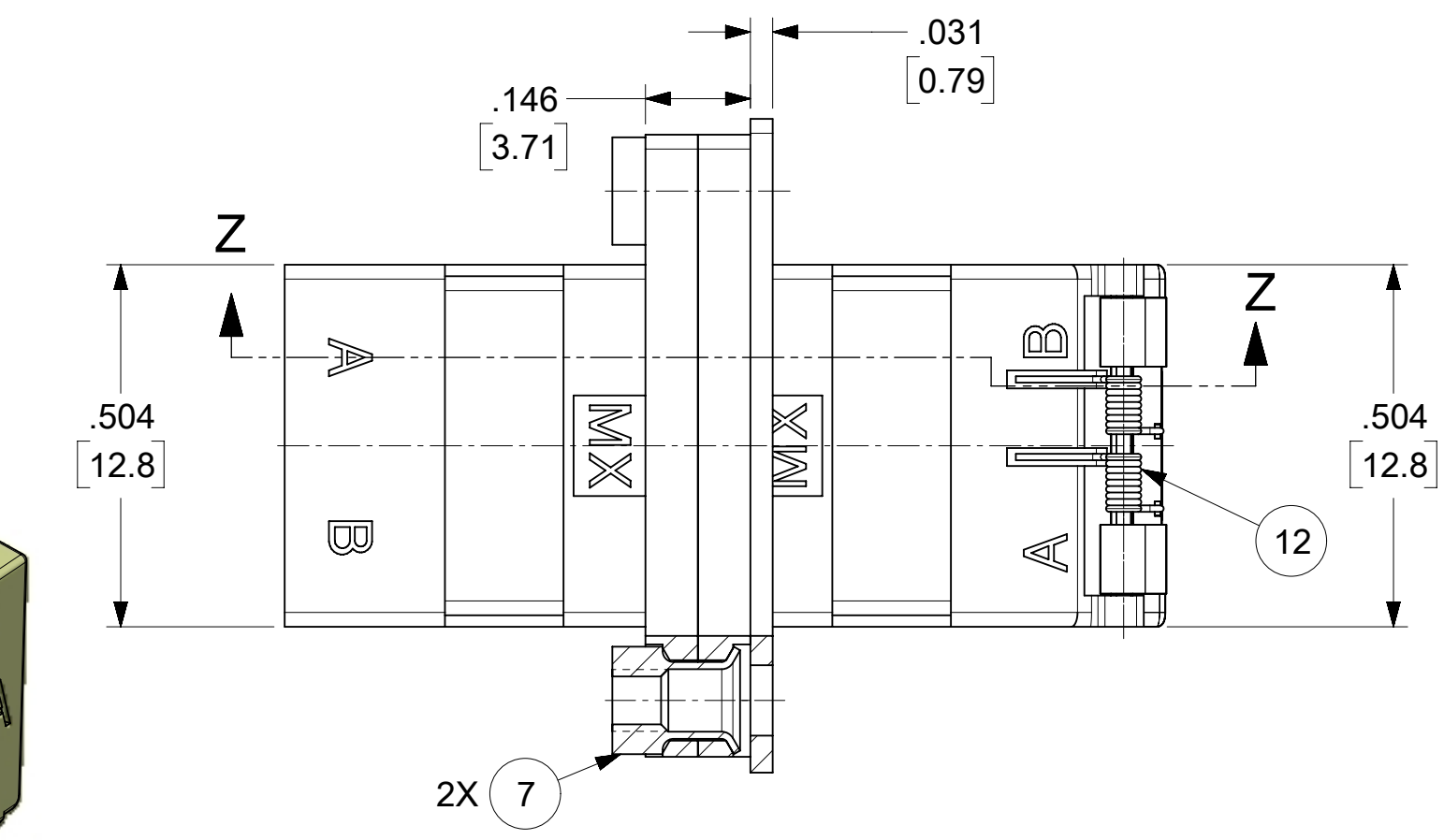
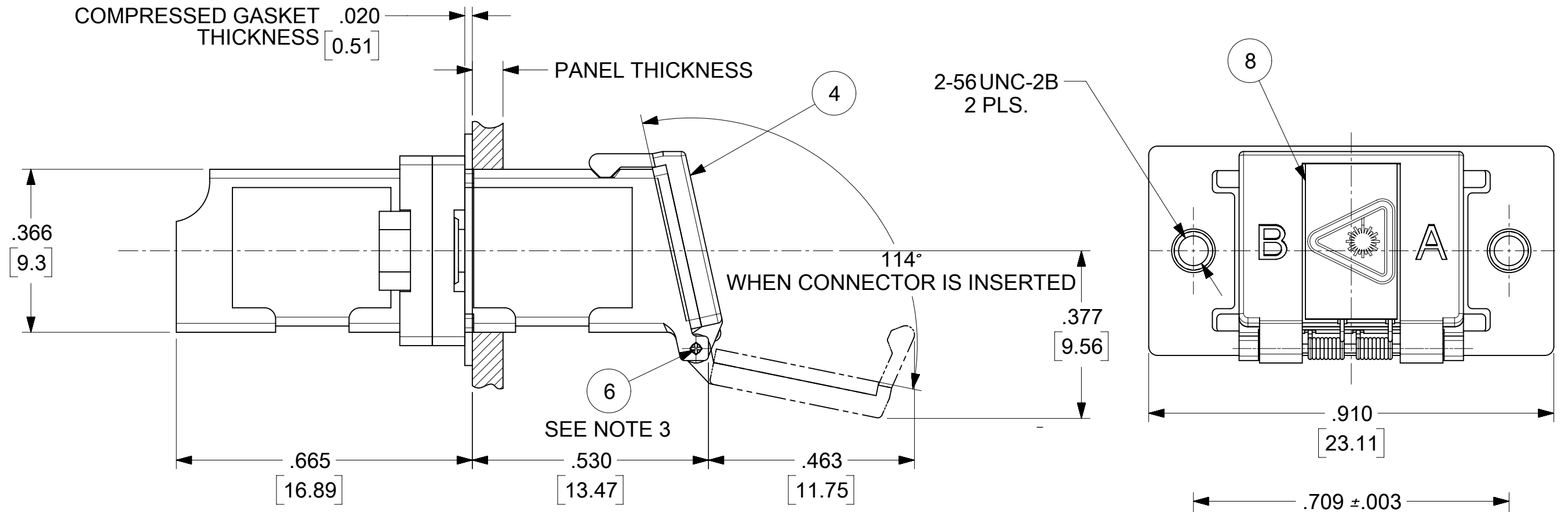


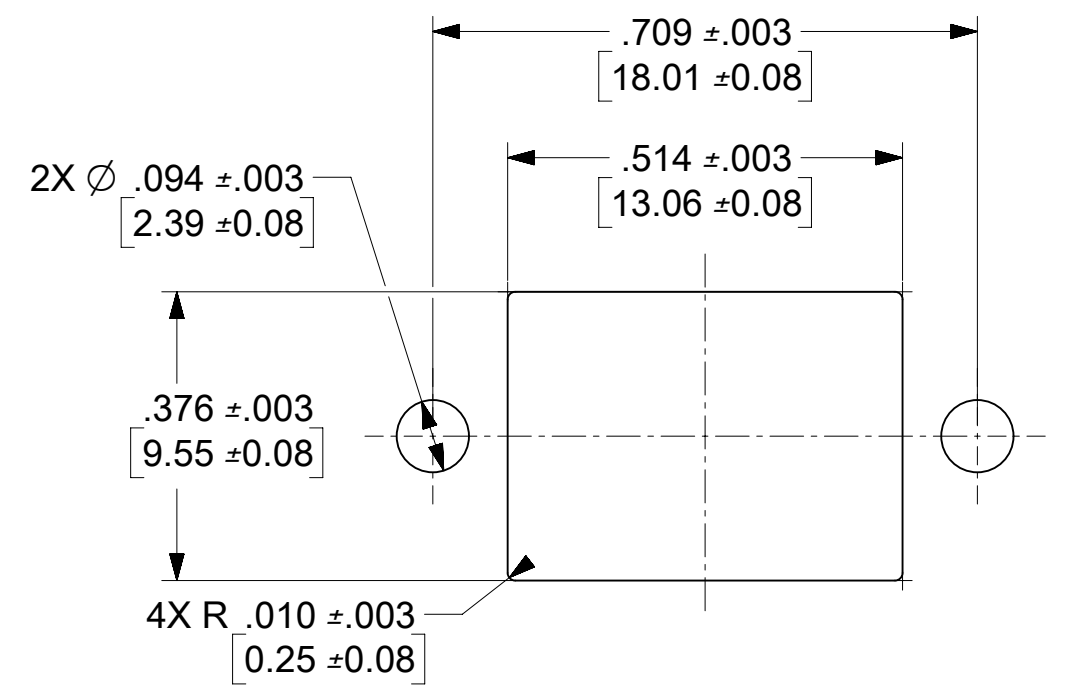
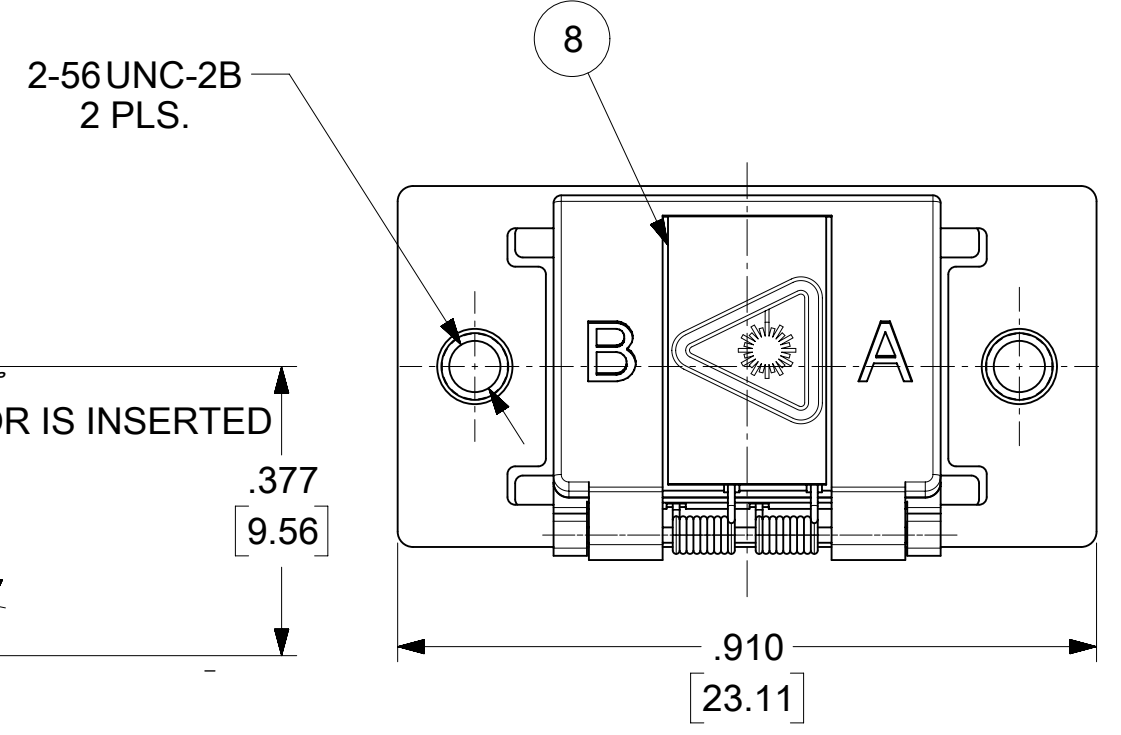
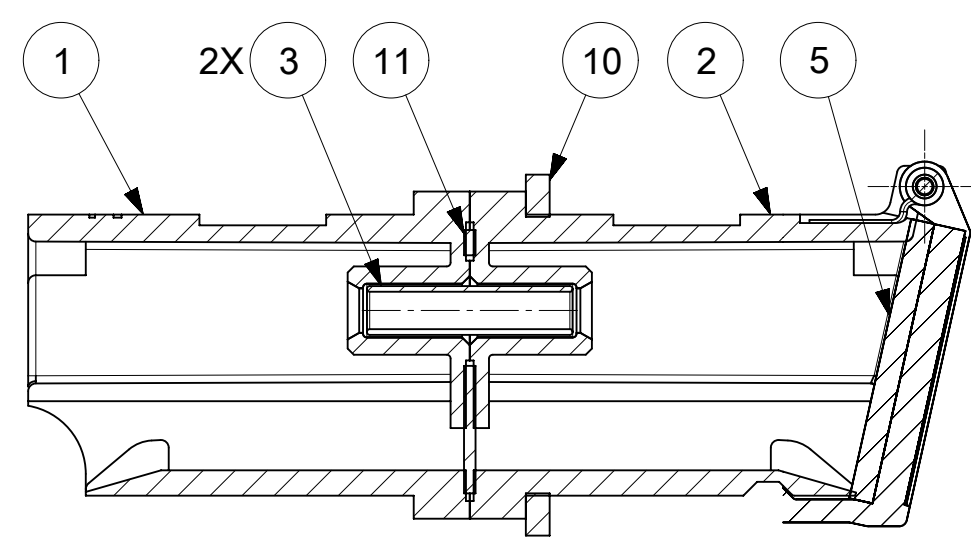
LCD ADAPTER P/N	LC SLEEVE (POS.3) MATERIAL	DOOR (Pos.4) COLOR
106127-0150	ZR	BLUE
106127-0160	PH. BRONZE	BEIGE



2X 13 SEE NOTE 3 & 5



SECTION Z-Z



RECOMMENDED MOUNTING PATTERN

NOTES:

- ALL DIMENSIONS ARE FOR REFERENCE.
- FIRST ASSEMBLE ITEMS #1, #2, #3, #7, AND #11. ASSEMBLED CLINCH NUTS (THREADED EYLET ITEM #7) SHALL BE ABLE TO WITHSTAND 3in-lb TORQUE WITHOUT ROTATING IN THE ADAPTER FLANGE.
- DUST CAP (ITEM #9) AND SEALING SCREWS (ITEM #13) SHOWN IN ISO VIEW ONLY.
- LC DUPLEX ADAPTER HAS SC ADAPTER FOOTPRINT.
- SEALING SCREWS (ITEM #13) SHALL BE THREADED INTO GASKET SIDE OF LC ADAPTER APPROX. 4 TURNS.

POS.	DESCRIPTION	QTY
13	CAP SCREW, #2-56 by 3/8" (WITH O-RING)	2
12	SPRING, SEALED LCD ADAPTER	2
11	INSIDE GASKET	1
10	OUTSIDE GASKET, METALIZED	1
9	DUST CAP	1
8	LABEL (LASER WARNING)	1
7	THREADED EYELET	2
6	LC HINGE PIN	1
5	DOOR GASKET	1
4	DOOR (SEALED LCD ADAPTER) (SEE TABLE)	1
3	LC SLEEVE (SEE TABLE)	2
2	METAL RECEPTACLE WITH SHUTTER	1
1	METAL RECEPTACLE	1

PARTS LIST OR LIST OF MATERIAL

SYMBOLS		THIS DRAWING CONTAINS INFORMATION THAT IS PROPRIETARY TO MOLEX ELECTRONIC TECHNOLOGIES, LLC AND SHOULD NOT BE USED WITHOUT WRITTEN PERMISSION	
▽ = 0	DIMENSION UNITS	SCALE	CURRENT REV DESC: REMASTERED TO NX
▽ = 0	mm	4:1	
▽ = 0	GENERAL TOLERANCES (UNLESS SPECIFIED)		
▽ = 0	ANGULAR TOL	± °	EC NO: 610674
▽ = 0	4 PLACES	±	DRWN: ABN 2017/12/28
▽ = 0	3 PLACES	±	CHK'D: WCHEN 2019/01/18
▽ = 0	2 PLACES	±	APPR: WCHEN 2019/01/18
▽ = 0	1 PLACE	±	INITIAL REVISION:
▽ = 0	0 PLACES	±	DRWN: DSZILAGYI 2014/10/29
▽ = 0	DRAFT WHERE APPLICABLE MUST REMAIN WITHIN DIMENSIONS		APPR: WCHEN 2015/01/12
▽ = 0	THIRD ANGLE PROJECTION	DRAWING	SERIES
▽ = 0	C-SIZE	106127	

SEALED LCD ADAPTER (CONDUCTIVE GASKET)

PRODUCT CUSTOMER DRAWING

DOCUMENT NUMBER: SD-106127-0150

DOC TYPE: PSD

DOC PART: 001

REVISION: A1

MATERIAL NUMBER: SEE TABLE

CUSTOMER: GENERAL MARKET

SHEET NUMBER: 1 OF 1