



Fiber Optics > Fiber Optic Connectors > Rugged Fiber Connectors > Expanded Beam Fiber Optics



Fiber Optic Product Type: **Ferrule Kit**

Compatible Fiber Diameter: **125 μm**

Fiber Optic Mode: **Singlemode**

### Features

#### Product Type Features

Fiber Optic Product Type	Ferrule Kit
Fiber Optic Mode	Singlemode

#### Dimensions

Compatible Fiber Diameter	125 μm
---------------------------	--------

### Product Compliance

[For compliance documentation, visit the product page on TE.com>](#)

EU RoHS Directive 2011/65/EU	Compliant
EU ELV Directive 2000/53/EC	Compliant
China RoHS 2 Directive MIIT Order No 32, 2016	No Restricted Materials Above Threshold
EU REACH Regulation (EC) No. 1907/2006	Current ECHA Candidate List: JAN 2024 (240) Candidate List Declared Against: JAN 2022 (223) Does not contain REACH SVHC
Halogen Content	Low Halogen - Br, Cl, F, I < 900 ppm per homogenous material. Also BFR/CFR/PVC Free
Solder Process Capability	Not applicable for solder process capability

#### Product Compliance Disclaimer

This information is provided based on reasonable inquiry of our suppliers and represents our current actual knowledge based on the information they provided. This information is subject to change. The part numbers that TE has identified as EU RoHS compliant have a maximum concentration of 0.1% by weight in homogenous materials for lead, hexavalent chromium, mercury, PBB, PBDE, DBP, BBP, DEHP, DIBP, and 0.01% for cadmium, or qualify for an exemption to these limits as defined in the Annexes of Directive 2011/65/EU (RoHS2). Finished electrical and electronic equipment products will be CE marked as required by Directive 2011/65/EU. Components may not be CE marked. Additionally, the part

numbers that TE has identified as EU ELV compliant have a maximum concentration of 0.1% by weight in homogenous materials for lead, hexavalent chromium, and mercury, and 0.01% for cadmium, or qualify for an exemption to these limits as defined in the Annexes of Directive 2000/53/EC (ELV). Regarding the REACH Regulation, the information TE provides on SVHC in articles for this part number is based on the latest European Chemicals Agency (ECHA) 'Guidance on requirements for substances in articles' posted at this URL: <https://echa.europa.eu/guidance-documents/guidance-on-reach>

## Compatible Parts



TE Part # 1515739-1  
INSERT ASSY, 2 X 1310/1550 SM, JR

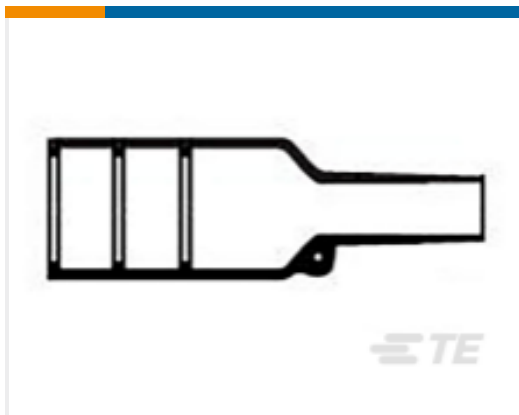


TE Part # 1515740-1  
INSERT ASSY, 4 X 1310/1550 SM, JR



TE Part # 1515738-1  
INSERT ASSY, 1 X 1310/1550 SM, JR

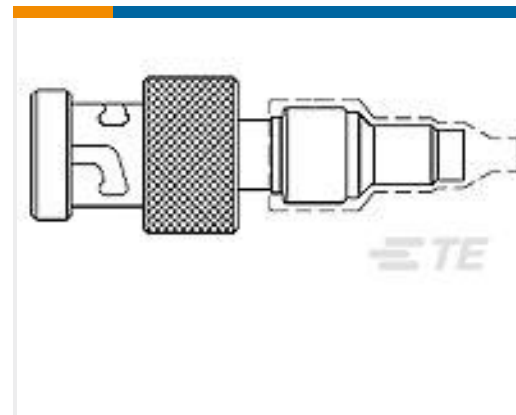
## Customers Also Bought



TE Part # 878497-000  
Bulbous Heat Shrink Boots: Lipped, Straight



TE Part # 8350110001  
TMS-SCE-1/8-2.0-9



TE Part # 019439-000  
DK-621-0433-1P




TE Part # 4-2176397-7  
3502 82R 1%



TE Part # YDTS26F25-19SAV001  
PLUG ASSY




TE Part # C145614001  
VERSAFLEX-03-0-SP



TE Part # 569741-002  
000W280



TE Part # 55A1-1508-0000  
55A1-1508-SS



TE Part # 2296727-2  
CONN KIT, RCPT, 38999 MINIEB A-KEY ZnCo

## Documents

[Product Drawings](#)



## PRO BEAM JR, FRRL KIT, PC 125 SEALED

English

---

### CAD Files

#### 3D PDF

3D

#### Customer View Model

[ENG\\_CVM\\_CVM\\_1588908-2\\_D.2d\\_dxf.zip](#)

English

#### Customer View Model

[ENG\\_CVM\\_CVM\\_1588908-2\\_D.3d\\_igs.zip](#)

English

#### Customer View Model

[ENG\\_CVM\\_CVM\\_1588908-2\\_D.3d\\_stp.zip](#)

English

By downloading the CAD file I accept and agree to the [Terms and Conditions](#) of use.

---

### Datasheets & Catalog Pages

#### Rugged Fiber Optics

English

---

### Instruction Sheets

#### Instruction Sheet (U.S.)

English

#### Instruction Sheet (U.S.)

English

#### Instruction Sheet (U.S.)

English

#### Instruction Sheet (U.S.)

English

#### Instruction Sheet (U.S.)

English