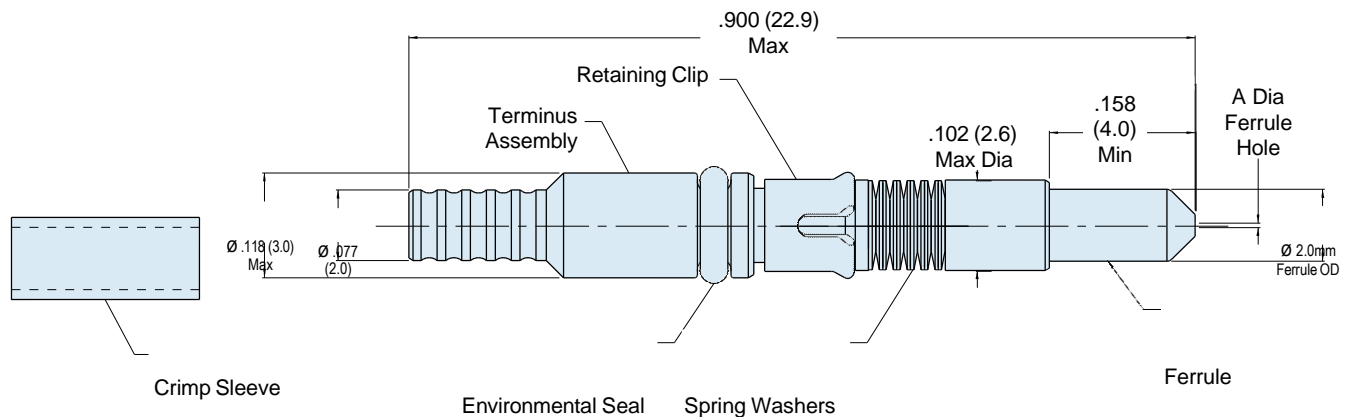


M29504/14 SERIES

Size 16 MIL-PRF-28876 Type Fiber Optic Pin Terminus

Size 16 M29504/14 Fiber Optic Pin Terminus for MIL-PRF-28876 Connectors

Part Number	ØA (Microns)	Fiber Type	Fiber Size Core Cladding (Microns)	Mil-Spec Part Number (Reference)
M29504/14-4131C	126	Multi-Mode	50/125, 62.5/125	M29504/14-4131C
M29504/14-4141C	126	Single -Mode	9/125	M29504/14-4141C



Tools and Accessories	
Part Number	Terminus Accessory
265-008	Crimp Sleeve Ø2.4mm Max Jacket (Mil-Spec Type)

Material and Finish

Ferrule: Zirconia Ceramic, Flat
 Terminus Assembly: Stainless Steel/
 Passivate Retaining Clip, Spring Washers:
 Spring Alloy Seal: Fluorosilicone
 Crimp Sleeve: Brass Alloy/Nickel

Notes

Crimp sleeve is supplied with terminus assembly and may be ordered separately (see Table II). For terminus less crimp sleeve, omit **C** from end of part number.

Infinity Fiber Inc
17605 Fabrica Way Suite G
Cerritos, CA 90703
sales@infinityfiber.com / Phone: [714.521.4815](tel:714.521.4815)