

86561-4 ✓ ACTIVE

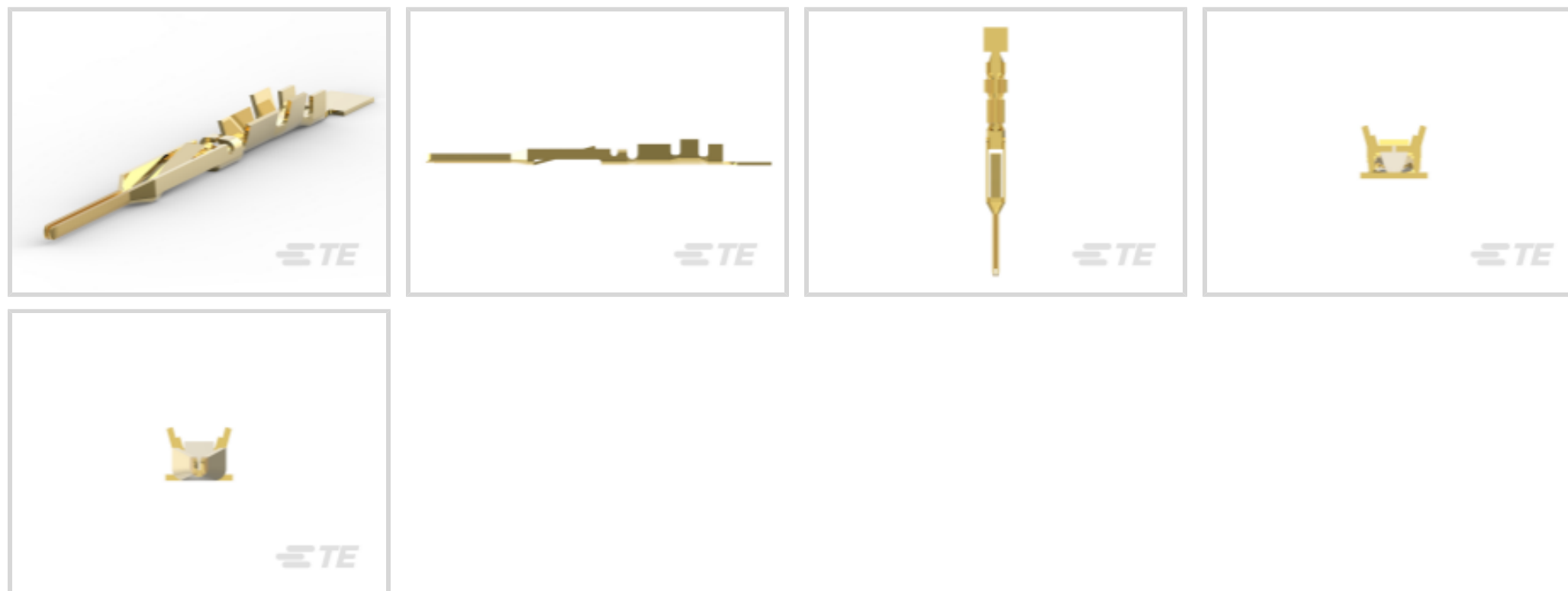
TE Internal #: 86561-4

Pin Contact, Gold, Discrete Wire, 26 – 22 AWG Wire Size, .12 – .4 mm<sup>2</sup> Wire Size, Insulation Displacement (IDC), Phosphor Bronze, Signal

[View on TE.com >](#)



Connectors > Contacts > Connector Contacts > 2.54mm FFC Connectors Pin Contacts



Contact Type: **Pin**

Contact Mating Area Plating Material: **Gold**

Compatible With Wire & Cable Type: **Discrete Wire**

Wire Size: **.12 – .4 mm<sup>2</sup>**

[All 2.54mm FFC Connectors Pin Contacts \(34\)](#)

## Features

### Configuration Features

Compatible With Wire & Cable Type	Discrete Wire
-----------------------------------	---------------

### Contact Features

	30 μin
Contact Underplating Material	Nickel
PCB Contact Termination Area Plating Material	Gold Flash
Contact Type	Pin
Contact Mating Area Plating Material	Gold
Contact Base Material	Phosphor Bronze
Contact Current Rating (Max)	2 A

### Termination Features

Termination Method to Wire & Cable	Insulation Displacement (IDC)
Product Terminates To	Wire & Cable

### Dimensions

Accepts Conductor Width	1.27 mm, 2.33 mm
-------------------------	------------------



Compatible Insulation Diameter Range	1.02 – 1.42 mm [.04 – .056 in]
--------------------------------------	--------------------------------

Wire Size	.12 – .4 mm <sup>2</sup>
-----------	--------------------------

### Usage Conditions

Operating Temperature Range	-65 – 105 °C [-85 – 221 °F]
-----------------------------	-----------------------------

### Operation/Application

Circuit Application	Signal
---------------------	--------

### Packaging Features

Packaging Method	Loose Piece
------------------	-------------

## Product Compliance

[For compliance documentation, visit the product page on TE.com>](#)

EU RoHS Directive 2011/65/EU	Compliant
------------------------------	-----------

EU ELV Directive 2000/53/EC	Compliant
-----------------------------	-----------

China RoHS 2 Directive MIIT Order No 32, 2016	No Restricted Materials Above Threshold
---	---

EU REACH Regulation (EC) No. 1907/2006	Current ECHA Candidate List: JAN 2024 (240) Candidate List Declared Against: JAN 2024 (240) Does not contain REACH SVHC
--	---

Halogen Content	Low Halogen - Br, Cl, F, I < 900 ppm per homogenous material. Also BFR/CFR/PVC Free
-----------------	---

Solder Process Capability	Reflow solder capable to 260°C
---------------------------	--------------------------------

#### Product Compliance Disclaimer

This information is provided based on reasonable inquiry of our suppliers and represents our current actual knowledge based on the information they provided. This information is subject to change. The part numbers that TE has identified as EU RoHS compliant have a maximum concentration of 0.1% by weight in homogenous materials for lead, hexavalent chromium, mercury, PBB, PBDE, DBP, BBP, DEHP, DIBP, and 0.01% for cadmium, or qualify for an exemption to these limits as defined in the Annexes of Directive 2011/65/EU (RoHS2). Finished electrical and electronic equipment products will be CE marked as required by Directive 2011/65/EU. Components may not be CE marked. Additionally, the part numbers that TE has identified as EU ELV compliant have a maximum concentration of 0.1% by weight in homogenous materials for lead, hexavalent chromium, and mercury, and 0.01% for cadmium, or qualify for an exemption to these limits as defined in the Annexes of Directive 2000/53/EC (ELV). Regarding the REACH Regulation, the information TE provides on SVHC in articles for this part number is based on the latest European Chemicals Agency (ECHA) 'Guidance on requirements for substances in articles' posted at this URL: <https://echa.europa.eu/guidance-documents/guidance-on-reach>

## Compatible Parts



TE Part # CAT-F439-R2435254  
2.54mm FFC Connectors Receptacle Housing



TE Part # 58535-1  
PRO-CRIMPER ASSY MODU MODII



TE Part # 485893-4  
006 HOUSING FFC PIN 100CL SR



TE Part # 485893-5  
007 HOUSING FFC PIN 100CL SR



TE Part # 485893-8  
010 HOUSING FFC PIN 100CL SR



TE Part # 485893-9  
011 HOUSING FFC PIN 100CL SR



TE Part # 1-485893-4  
016 HOUSING FFC PIN 100CL SR



TE Part # 3-88189-2  
006 HOUSING FFC PIN DR 100CL



TE Part # 1-88189-0  
026 HOUSING FFC PIN DR 100CL



TE Part # 485897-2  
004 HOUSING FFC PIN 100CL SR



TE Part # 1-485893-6  
018 HOUSING FFC PIN 100CL SR



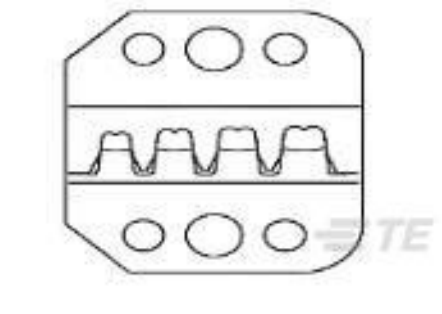
TE Part # 1-485893-8  
020 HOUSING FFC PIN 100CL SR



TE Part # 3-88190-0  
010 HOUSING FFC PIN DR 100CL



TE Part # 485893-2  
004 HOUSING FFC PIN 100CL SR



TE Part # 58535-2  
PRO-CRIMPER ASSY MODU



TE Part # 485893-6  
008 HOUSING FFC PIN 100CL SR



TE Part # 485893-3  
005 HOUSING FFC PIN 100CL SR



TE Part # 1-485893-1  
013 HOUSING FFC PIN 100CL SR

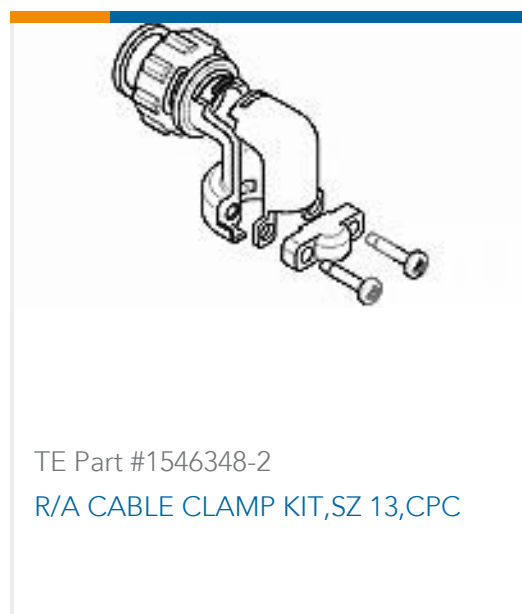


TE Part # 1-485893-3  
015 HOUSING FFC PIN 100CL SR



TE Part # 3-88190-4  
016 HOUSING FFC PIN DR 100CL

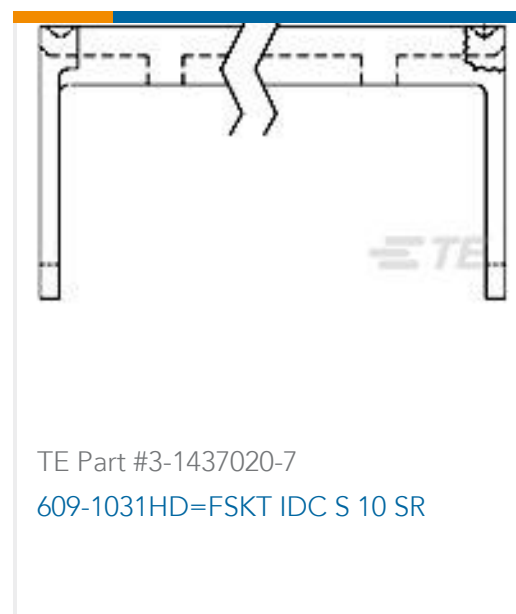
### Customers Also Bought



TE Part #1546348-2  
R/A CABLE CLAMP KIT,SZ 13,CPC



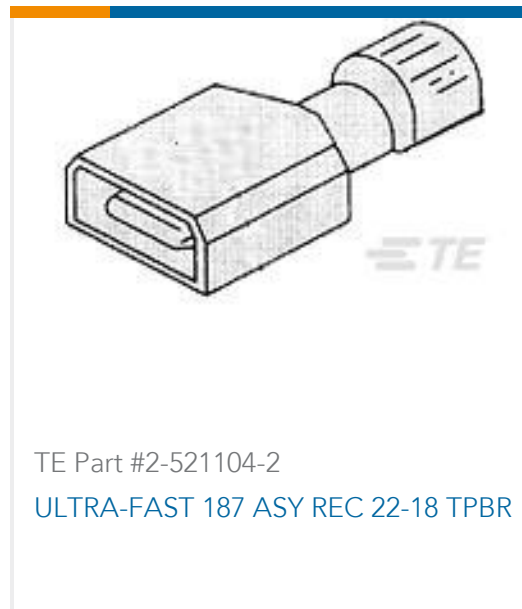
TE Part #66406-4  
III+ PIN,30-26,30AU/FL,LP



TE Part #3-1437020-7  
609-1031HD=FSKT IDC S 10 SR



TE Part #494032-2  
003 HOUSING FFC PIN 100CL SR



TE Part #2-521104-2  
ULTRA-FAST 187 ASY REC 22-18 TPBR



TE Part #521780-1  
250 HSG. PL MKIII REC. 7.11mm 5P NAT



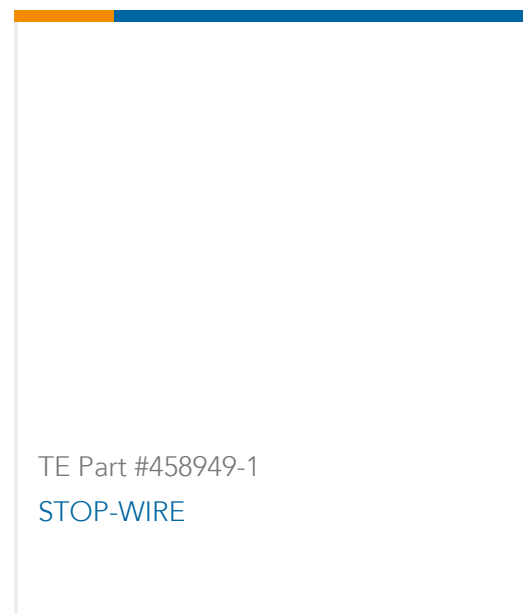
TE Part #1-520935-1  
250 HSG. PL MKII REC. 15.11mm 2P NAT



TE Part #1-967626-2  
TAB HOUSING, 2,8MM 9POS NAT



TE Part #2299282-2  
POD-LOK 250 STR. AWG 18-14 PTPBR GF



TE Part #458949-1  
STOP-WIRE

## Documents

### Product Drawings

[ROUND WIRE PIN L.P.](#)

English

[ROUND WIRE PIN L.P.](#)

English

### CAD Files

Customer View Model

[ENG\\_CVM\\_CVM\\_86561-4\\_D.2d\\_dxf.zip](#)

English

[3D PDF](#)

3D

Customer View Model

[ENG\\_CVM\\_CVM\\_86561-4\\_D.3d\\_igs.zip](#)

English

Customer View Model

[ENG\\_CVM\\_CVM\\_86561-4\\_D.3d\\_stp.zip](#)

English

By downloading the CAD file I accept and agree to the [Terms and Conditions](#) of use.



---

**Product Specifications**

**Application Specification**

English

**Application Specification**

English

---

**Instruction Sheets**

**Instruction Sheet (U.S.)**

English

**Instruction Sheet (U.S.)**

English

**Extraction Tool for Flexible Flat Cable (FFC)**

English