

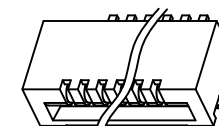
This document is the property of Amphenol Aorora Corporation and is delivered on the express condition that it is not to be disclosed, reproduced or used, in whole or in part, for manufacture or sale by anyone other than Amphenol Aorora Corporation without its prior consent, & that no right is granted to disclose or to use any information in this document.

REV.	ECR/ECN No.	DESCRIPTION	DRAWN/DATE	CHECKED/DATE	APPROVED/DATE
A	/	New Version	Henry 2012-04-25	Rain 2012-04-25	Zhengxian.Ye 2012-04-25

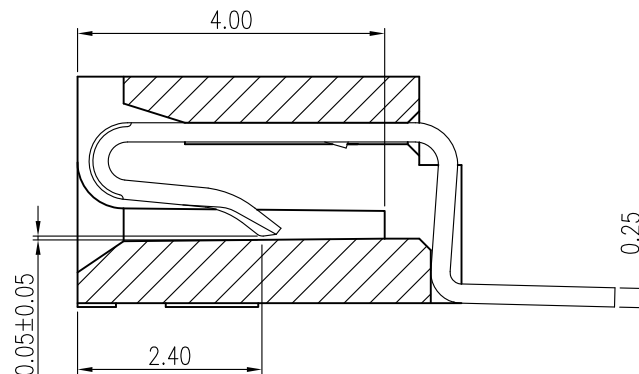
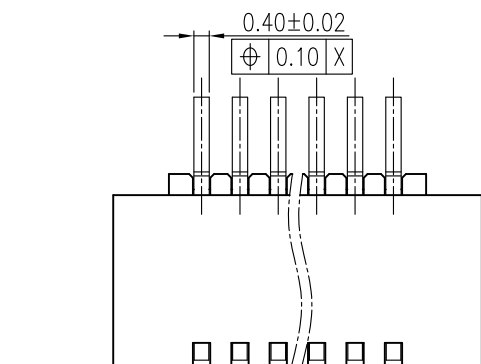
NO.	COMPONENTS	MATERIALS	FINISH/COLOR	SPECIFICATION	QUANTITY
1	Housing	Glass Filled LCP,UL94V-0	Black		1
2	Anchor-plate	Brass, T=0.20±0.01mm	Surface Plating:2~4 μm Matte TIN. Under Plating:1~3 μm Ni		2
3	Contact	Phosphor Bronze, T=0.25±0.01mm	Surface Plating:2~4 μm Matte TIN. Under Plating:1~3 μm Ni		N

NOTE:
1.ALL MATERIAL MUST BE COMPLY WITH SS-00259 OR RoHS.
2.PART NO. LEGEND:
F518-1A7A1-110**

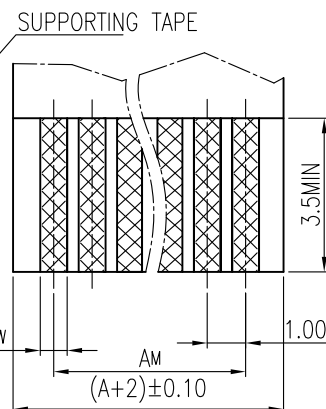
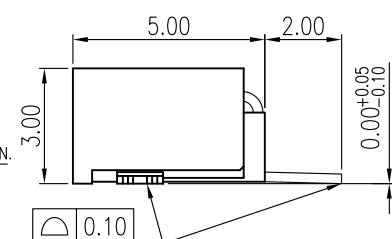
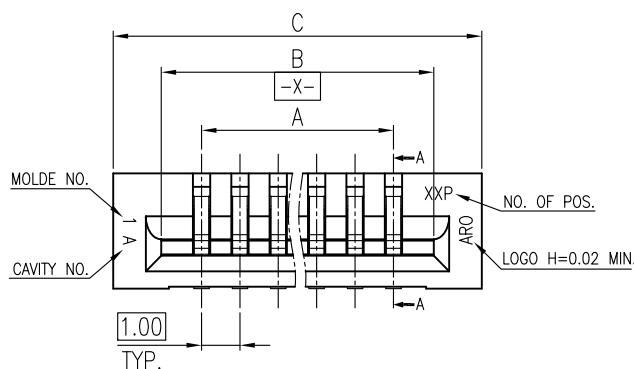
NO. OF POSITIONS
7A:2~4μm MATTER TIN
1A:LCP NATURAL



3D VIEW



SECTION A-A
SCALE 2:1



DIMENSION LIST:

NO. OF POS.	A			NO. OF POS.	B			C		
	A	B	C		A	B	C			
3	2.0	4.1	6.6	17	16.0	18.1	20.6			
4	3.0	5.1	7.6	18	17.0	19.1	21.6			
5	4.0	6.1	8.6	19	18.0	20.1	22.6			
6	5.0	7.1	9.6	20	19.0	21.1	23.6			
7	6.0	8.1	10.6	21	20.0	22.1	24.6			
8	7.0	9.1	11.6	22	21.0	23.1	25.6			
9	8.0	10.1	12.6	23	22.0	24.1	26.6			
10	9.0	11.1	13.6	24	23.0	25.1	27.6			
11	10.0	12.1	14.6	25	24.0	26.1	28.6			
12	11.0	13.1	15.6	26	25.0	27.1	29.6			
13	12.0	14.1	16.6	27	26.0	28.1	30.6			
14	13.0	15.1	17.6	28	27.0	29.1	31.6			
15	14.0	16.1	18.6	29	28.0	30.1	32.6			
16	15.0	17.1	19.6	30	29.0	31.1	33.6			

KIND	TOLERANCE		
	P	W	M
FPC	±0.02	+0.10 -0.05	±0.05
FFC	±0.05	±0.03	±0.10

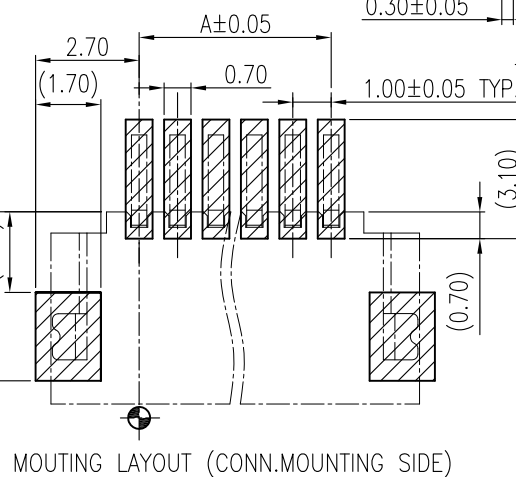
UNLESS OTHERWISE SPECIFIED TOLERANCES			
X.	±0.50	X. *	±1'
X.X	±0.30	X.X *	± 0.5'
X.XX	±0.20	X.XX *	± 0.5'
X.XXX	±0.10	X.XXX *	± 1'
LINEAR DIMS	ANGLES DIMS		

ANGLE OF PROJECTION	
DOC TYP	Customer Drw
DRAWN	Henry
DATE	2012-04-25
DESIGN	Henry
DATE	2012-04-25
CHECKED	Rain
DATE	2012-04-25
APPROVED	Zhengxian.Ye
DATE	2012-04-25



Amphenol Aorora Technology (Huizhou) Co.,Ltd

TITLE:			
FPC P1.0mm NON-ZIF R/A SMT			
SIZE	DWG NO.	REV.	
A4	A-S0005	A	
SCALE	1:1	UNIT : mm	SHEET 1 OF 1



MOUNTING LAYOUT (CONN.MOUNTING SIDE)