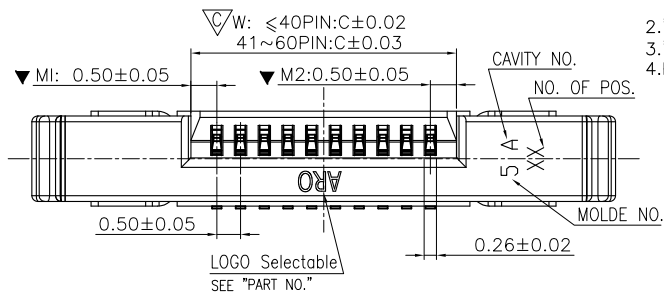
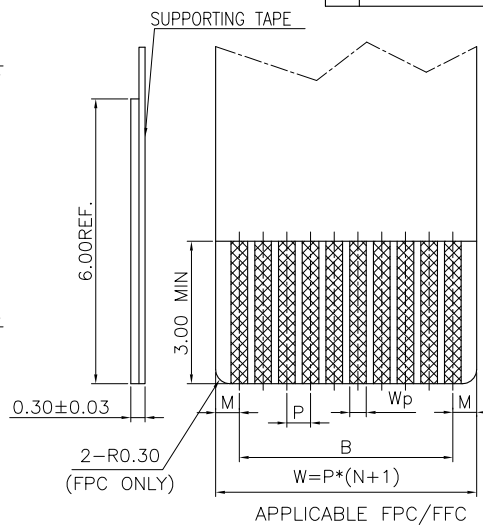
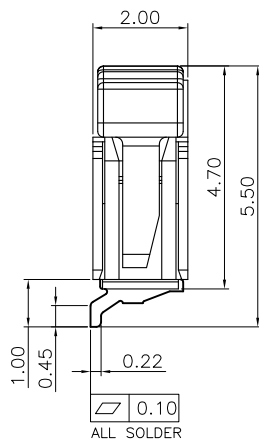
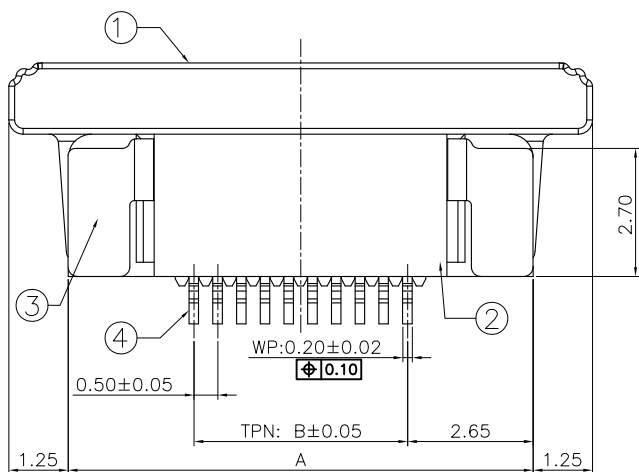


This document is the property of and embodies CONFIDENTIAL and PROPRIETARY information of AMOR. No part of the information shown on this document may be used in any way or disclosed to others without the written consent of AMOR. © 2019 AMOR

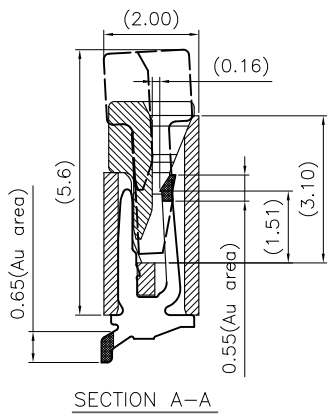
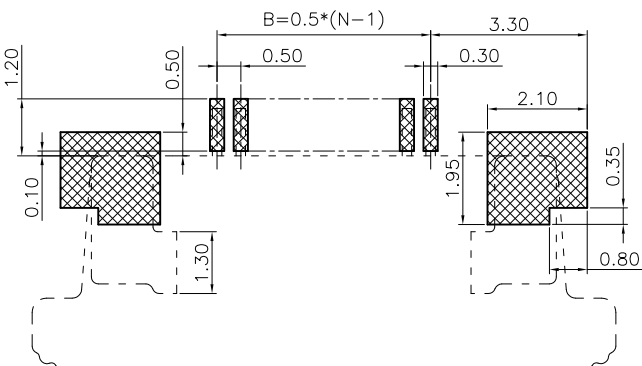


NOTE:  
 1. ALL MATERIAL MUST BE COMPLY WITH SS-00259 OR RoHS.  
 2. "▽" MARK IS IMPORTANT DIMENSIONS  
 3. "▽" MARK IS CPK AND X-R DIMENSION  
 4. PART NO. LEGEND:  
 F32\*-1A\*\*1-110\*\*

NO. OF POSITIONS  
 7H: PHOSPHOR BRONZE  
 0.05um MIN Au (Au Area)  
 7A: PHOSPHOR BRONZE  
 MATTER TIN  
 2Q: WITH Logo  
 2T: WITHOUT Logo



	FPC	FFC
M	0.5±0.05	0.5±0.05
P	0.5±0.03	0.5±0.03
B	B±0.05	B±0.05
W	W±0.05	W±0.05
Wp	0.35±0.03	0.30±0.03

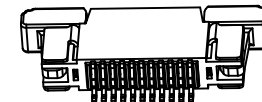


P.C.B LAYOUT (REFERENCE)

REV.	ECR/ECN No.	DESCRIPTION	DRAWN/DATE	CHECKED/DATE	APPROVED/DATE
B	/	Add new dimension	May.Wang 2014-12-24	Rain.Han 2014-12-24	Leo.Liu 2014-12-24
C	/	Unified FFC dimension	May.Wang 2019-01-19	Rain.Han 2019-01-19	Leo.Liu 2019-01-19
D	/	Update the drawing frame	May.Wang 2020-08-12	Rain.Han 2020-08-12	Leo.Liu 2020-08-12

NO.	COMPONENTS	MATERIALS	SPECIFICATION: FINISH/COLOR	QTY.
1	SLIDER	GLASS FILLED PA9T, UL94V-0	BLACK	1
2	HOUSING	GLASS FILLED LCP, UL94V-0	NATURAL	1
3	ANCHOR-PLATE	BRASS, T=0.20mm	SURFACE PLATING: 2~5 um Sn UNDER PLATING: 1~3 um Ni	2
4	CONTACT	PHOSPHOR BRONZE, T=0.20mm	SURFACE PLATING: SEE "NOTE" UNDER PLATING: 1~3 um Ni	N

3D VIEW REF.



DIMENSION LIST:

NO. OF POS.	A	B	C	NO. OF POS.	A	B	C
4	6.80	1.50	2.50	33	21.30	16.00	17.00
5	7.30	2.00	3.00	34	21.80	16.50	17.50
6	7.80	2.50	3.50	35	22.30	17.00	18.00
7	8.30	3.00	4.00	36	22.80	17.50	18.50
8	8.80	3.50	4.50	37	23.30	18.00	19.00
9	9.30	4.00	5.00	38	23.80	18.50	19.50
10	9.80	4.50	5.50	39	24.30	19.00	20.00
11	10.30	5.00	6.00	40	24.80	19.50	20.50
12	10.80	5.50	6.50	41	25.30	20.00	21.01
13	11.30	6.00	7.00	42	25.80	20.50	21.51
14	11.80	6.50	7.50	43	26.30	21.00	22.01
15	12.30	7.00	8.00	44	26.80	21.50	22.51
16	12.80	7.50	8.50	45	27.30	22.00	23.01
17	13.30	8.00	9.00	46	27.80	22.50	23.51
18	13.80	8.50	9.50	47	28.30	23.00	24.01
19	14.30	9.00	10.00	48	28.80	23.50	24.51
20	14.80	9.50	10.50	49	29.30	24.00	25.01
21	15.30	10.00	11.00	50	29.80	24.50	25.51
22	15.80	10.50	11.50	51	30.30	25.00	26.01
23	16.30	11.00	12.00	52	30.80	25.50	26.51
24	16.80	11.50	12.50	53	31.30	26.00	27.01
25	17.30	12.00	13.00	54	31.80	26.50	27.51
26	17.80	12.50	13.50	55	32.30	27.00	28.01
27	18.30	13.00	14.00	56	32.80	27.50	28.51
28	18.80	13.50	14.50	57	33.30	28.00	29.01
29	19.30	14.00	15.00	58	33.80	28.50	29.51
30	19.80	14.50	15.50	59	34.30	29.00	30.01
31	20.30	15.00	16.00	60	34.80	29.50	30.51
32	20.80	15.50	16.50				

UNLESS OTHERWISE SPECIFIED TOLERANCES		ANGLE OF PROJECTION		 Amphenol Aorora Technology (Huizhou) Co.,Ltd	
X.	±0.30	X. °	± 5'		
X.X	±0.25	X.X °	± 4'	TITLE: FPC P0.5 CONN ZIF R/A TYPE SMT (UPPER CONTACT)	
X.XX	±0.20	X.XX °	± 3'		
X.XXX	±0.15	X.XXX °	± 2'	PART NUMBER: F32Q-1A7*1-110** F32T-1A7*1-110**	
LINEAR DIMS		ANGLES DIMS			
DWG NO.:	A-S0200			SIZE	A4
MATERIAL	SEE NOTES			REV.	D
FINISHED	SEE NOTES			SCALE	7:1
Customer Drw		Customer Drw		UNIT	mm
DRAWN	DATE	DRAWN	DATE	SHEET 1 OF 2	
May.Wang	2014-07-28	May.Wang	2014-07-28		
DESIGN	DATE	CHECKED	DATE		
May.Wang	2014-07-28	Rain.Han	2014-07-28		
APPROVED	DATE	APPROVED	DATE		
Leo.Liu	2014-07-28	Leo.Liu	2014-07-28		

1 | 2 | 3 | 4

1. PACKING INTO REEL:

**4pin~17pin view**  
 Dimensions: 12.00±0.10, 4.00±0.10, 2.00±0.20, A±0.30, 1.75±0.1, ø1.50<sup>+0.10</sup>/<sub>-0.00</sub>, 0.35±0.05  
 Labels: Cover tape, Tarrier tape

**18pin~70pin view**  
 Dimensions: 12.00±0.1, 4.00±0.1, 2.00±0.20, A±0.30, 1.75±0.1, ø1.50<sup>+0.10</sup>/<sub>-0.00</sub>, 0.35±0.05, 1.75±0.05  
 Labels: Cover tape, "D", Tarrier tape

**SECTION C-C**  
 Dimensions: 2±0.5, 1.50±0.05, 1.75±0.05  
 Label: DETAIL "D"

**REEL PAN**  
 Dimensions: Outerø13"; Innerø100\*A  
 Dimensions: 160~200mm, 1,800PCS, 200~300mm  
 Labels: TAIL PART (EMPTY), COMPONENT SUPPLIER, LEADER PART (EMPTY)  
 Note: (COVER)100mm Min.

LIST:

NO.	DIM	A	B	N	TOL:PCS
4~17 PIN		24.0	11.50	10	18000
18~28 PIN		32.0	28.40	8	14400
29~50 PIN		44.0	40.40	6	10800
51~70 PIN		56.0	52.40	5	9000

NOTES:

- MATERIAL:
  - CARRY TAPE:HIPS,T=0.35mm,CLEAR
  - REEL:HIPS,BLUE.
  - SHIM:PE,CLEAR.
- PRIMARY PACKING:1,800PCS/REEL.
- SECONDARY PACKING:"N"REELS/CARTON  
 ("TOTAL"=N\*1800/CARTON).
- PEELING RESISTANCE: 0.1N~0.7N(10~70gf);  
 PEELING ANGLE: 165°~180°;  
 PEELING SPEED: 300mm/minutes.

2:PACKING INTO OUTER BOX

**AIR CAP 2PCS**  
 L332\*W332\*H(3~4)

**Vacuum bag**  
 L550\*W435\*T0.10

**Waterproof bag(PE):1PCS**  
 L700\*W600\*T0.05

**CARTON,1PCS**

**TRANSPARENT BULE TAPE**

**Domestic packaging**  
 Dimensions: 310 (inner dimension), 335 (inner dimension), 335 (inner dimension)

**Overseas packaging**  
 Labels: RIBBON, PROTECTIVE LAYER

**Reel Label**

**DETAILS:**  
 SIDE LABEL: P/N, QTY, D/C, M/W, C/W, MEAS.

UNLESS OTHERWISE SPECIFIED TOLERANCES			ANGLE OF PROJECTION		 Amphenol Aorora Technology (Huizhou) Co.,Ltd					
X.	±0.30	X. '	± 5'							
X.X	±0.25	X.X '	± 4'		DOC TYP	Customer Drw	TITLE: FPC P.0.5 CONN ZIF R/A TYPE SMT (UPPER CONTACT)			
X.XX	±0.20	X.XX '	± 3'	DRAWN	May 2014-07-28					
X.XXX	±0.15	X.XXX '	± 2'	DESIGN	May 2014-07-28	SIZE	A4			
LINEAR DIMS			ANGLES DIMS		CHECKED	Rain 2014-07-28	PART NUMBER:	F32Q-1A7*1-110** F32T-1A7*1-110**	REV.	D
DWG NO.: A-S0200					APPROVED	Leo.Liu 2014-07-28	SCALE	1:1	UNIT	mm
MATERIAL			SEE NOTES				SHEET	2	OF 2	
FINISHED			SEE NOTES							

This document is the property of and embodies CONFIDENTIAL and PROPRIETARY information of AOR. No part of the information shown on this document may be used in any way or disclosed to others without the written consent of AOR. © 2019 AOR

Amphenol AORORA

1 | 2 | 3 | 4

Aor-QR-0406-A